



Type 21 Ball Valve

Standard Features (Sizes 1/2" – 6")

- Pressure rated up to 230 psi (PVC, CPVC, PVDF)
- Double O-ring seals on stem for an added protection.
- Full bore, sizes 1/2" – 2"
- Full vacuum rated, all sizes
- Blocks in two directions, upstream and downstream, leaving full pressure on the opposite end of the valve
- Integrally molded ISO mounting pad for both manual and actuated operations
- Integrally molded base pad to mount valves securely or panel mounting
- PTFE seats with elastomeric backing cushions ensure bubble-tight shut-off and a low fixed torque, while at the same time compensating for wear
- True Union design for easier installation or repairs without expanding the pipe system
- Built-in spanner wrench on the handle for valve disassembly and assembly
- Two sets of end connectors (socket and threaded) included with all PVC and CPVC valves in sizes 1/2" – 2"
- CPVC threaded end connectors on sizes 1/2" – 1" come with stainless steel reinforcing rings

Options

- Pneumatic and electric actuators & accessories
- Stem extensions
- 2" square operating nut or "T" nut
- Locking and/or spring return handles
- Limit switches
- Vented Ball

Specifications

- Sizes:** 1/2" – 6"
Models: PVC & CPVC: Socket, Threaded and Flanged (ANSI)
 PP & PVDF: IPS and Metric (DIN)
 Socket, Threaded, Butt and Flanged (ANSI)
Bodies: PVC, CPVC, PP and PVDF
Seats: PTFE backed with EPDM or FKM
Seals: EPDM or FKM or AFLAS®‡

Sizes 1/2" - 4" PVC/EPDM/FKM Models available with NSF-61 Certification

‡ Trademark of Asahi Glass Co., Ltd.

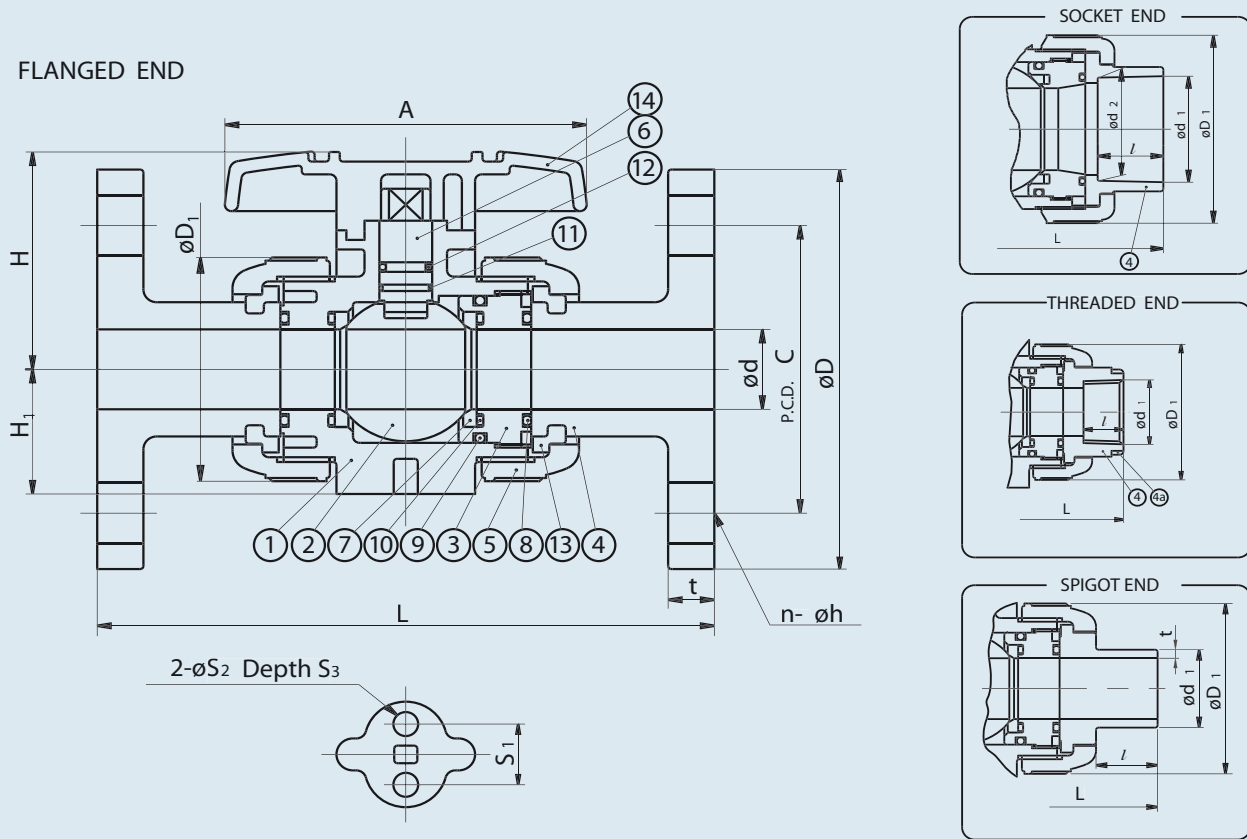
Parts List (Sizes 1/2" – 2")

PARTS			
NO.	DESCRIPTION	PCS.	MATERIAL
1	Body	1	PVC, CPVC, PP, PVDF
2	Ball	1	PVC, CPVC, PP, PVDF
3	Carrier	1	PVC, CPVC, PP, PVDF
4	End Connector	2	PVC, CPVC, PP, PVDF
5	Union Nut	2	PVC, CPVC, PP, PVDF
6	Stem	1	PVC, CPVC, PP, PVDF
7	Seat	2	PTFE
8	O-Ring (A)	2	EPDM, FKM, Others
9	O-Ring (B)	1	EPDM, FKM, Others
10	O-Ring (C)	2	EPDM, FKM, Others
11	O-Ring (D)	1	EPDM, FKM, Others
12	O-Ring (E)	1	EPDM, FKM, Others
13	Stop Ring*	2	PVDF
14	Handle	1	ABS
4a	Ring**	2	304 Stainless Steel

* Used for flanged end

** Used for CPVC body, threaded end, 1/2" – 1"





Dimensions (Sizes 1/2" - 2")

NOMINAL SIZE		FLANGED							SOCKET										
		ANSI CLASS 150							PVC, CPVC				PP, PVDF (DIN)				PP, PVDF (IPS)		
		d	D	C	n	h	L	t	ASTM SCH 80		DIN 16962		DIN 16962		d1	l	L		
INCHES	mm							d1	d2	l	L	d1	d2	l	L	d1	l	L	
1/2	15	0.59	3.50	2.38	4	0.62	5.63	0.47	0.848	0.836	0.875	4.45	0.768	0.760	0.57	3.90	0.83	0.87	4.45
3/4	20	0.79	3.88	2.75	4	0.62	6.77	0.55	1.058	1.046	1.000	5.08	0.965	0.957	0.63	4.49	1.03	1.00	5.08
1	25	0.98	4.25	3.12	4	0.62	7.36	0.55	1.325	1.310	1.125	5.75	1.240	1.232	0.71	4.84	1.30	1.13	5.75
1 1/4	32	1.26	4.62	3.50	4	0.62	7.48	0.63	1.670	1.655	1.250	6.46	1.553	1.543	0.81	5.47	1.65	1.25	6.46
1 1/2	40	1.57	5.00	3.88	4	0.62	8.35	0.63	1.912	1.894	1.375	7.24	1.947	1.937	0.93	5.83	1.89	1.37	7.24
2	50	2.01	6.00	4.75	4	0.75	9.21	0.63	2.387	2.369	1.500	8.23	2.461	2.445	1.08	6.93	2.36	1.50	8.23

NOMINAL SIZE		THREADED							SPIGOT (BUTT END)										
									PP, PVDF										
				DIN 3442		PP	PVDF			S1	S2	S3							
INCHES	mm	d1	l	L	D1	H	H1	A	d1	l	t	t	L	S1	S2	S3			
1/2	15	1/2-14 NPT	0.59	4.02	1.89	2.03	1.14	3.62	0.787	0.728	0.098	0.075	4.882	0.75	0.29	0.43			
3/4	20	3/4-14 NPT	0.67	4.72	2.36	2.34	1.38	3.94	0.984	0.866	0.106	0.075	5.670	0.75	0.29	0.43			
1	25	1-11 1/2 NPT	0.79	5.16	2.76	2.68	1.54	4.33	1.260	0.886	0.118	0.094	6.063	0.75	0.29	0.43			
1 1/4	32	1 1/4-11 1/2 NPT	0.87	5.91	3.23	3.17	1.85	4.76	1.575	1.024	0.146	0.094	6.850	1.18	0.35	0.59			
1 1/2	40	1 1/2-11 1/2 NPT	0.98	6.42	3.94	3.50	2.17	5.16	1.969	1.260	0.181	0.118	7.638	1.18	0.35	0.59			
2	50	2-11 1/2 NPT	1.10	7.76	4.96	4.04	2.60	6.26	2.480	1.417	0.228	0.118	8.819	1.18	0.35	0.59			

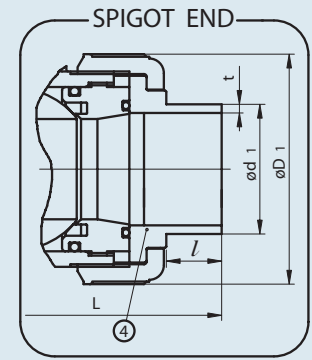
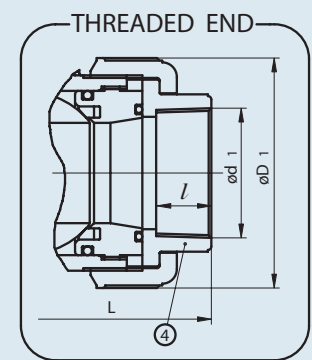
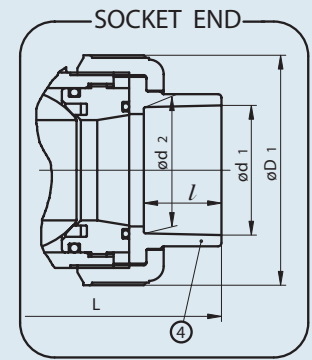
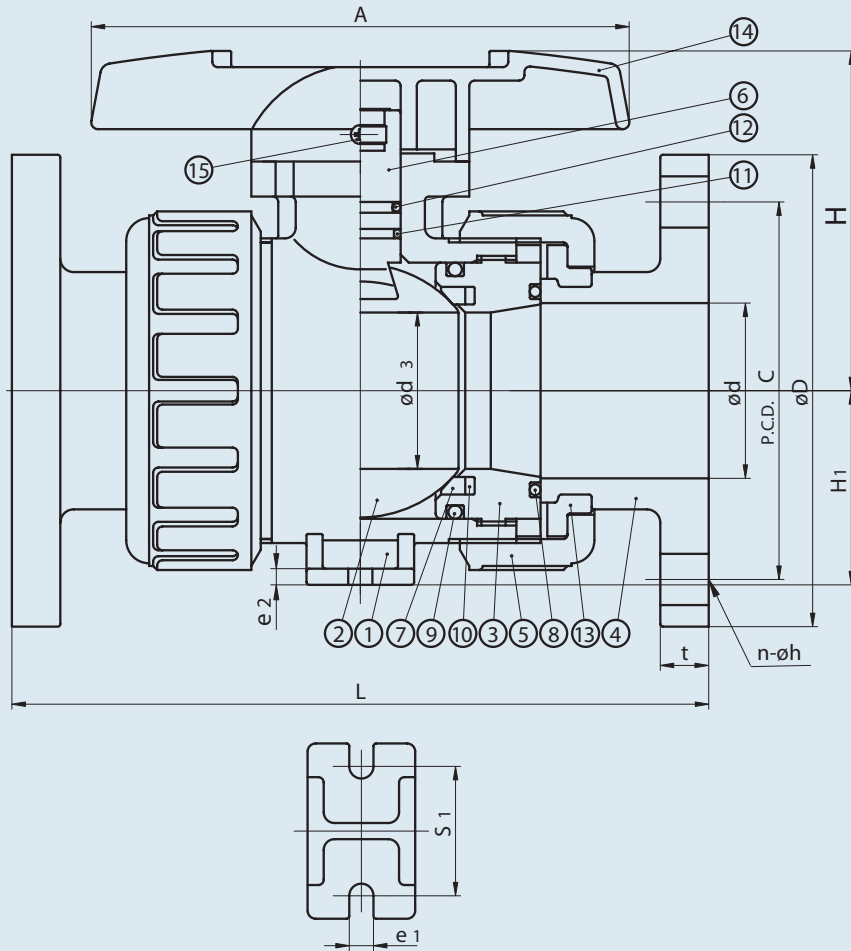
Type 21

Ball Valves

FLANGED END

PARTS (DIFFERENT NUMBERS FROM 1/2" - 2")			
NO.	DESCRIPTION	PCS.	MATERIAL
10	Cushion	2	EPDM, FKM, Others
15	Screw	1	304 Stainless Steel

NOTE: Quantity on Nos. 3 and 9 (see p. 6) is 2.



Dimensions (Sizes 2 1/2" - 4") FOR 6" SIZE CONSULT FACTORY

NOMINAL SIZE		FLANGED							SOCKET										
		ANSI CLASS 150							PVC, CPVC			PP, PVDF (DIN)			PP, PVDF (IPS)				
									ASTM SCH 80			DIN 16962							
INCHES	mm	d	D	C	n	h	L	t	d1	d2	l	L	d1	d2	l	L	d1	l	L
2 1/2	65	2.56	7	5.5	4	0.75	10.2	0.71	2.889	2.868	1.75	9.45	2.923	2.911	1.22	8.15	2.88	1.752	9.45
3	80	3.07	7.5	6	4	0.75	11.97	0.71	3.516	3.492	1.875	11.1	3.512	3.498	1.4	9.88	3.48	1.874	11.1
4	100	3.94	9	7.5	8	0.75	14.65	0.71	4.518	4.491	2	13.9	4.293	4.278	1.63	12.2	4.48	2.252	14.37

NOMINAL SIZE		THREADED							SPIGOT (BUTT END)								
									PP, PVDF								
									DIN 3442			PP	PVDF				
INCHES	mm	d1	l	L	d3	D1	H	H1	A	d1	l	t	t	L	e1	e2	S1
2 1/2	65	2 1/2 - 8NPT	1.26	8.46	2.28	5.24	4.96	2.83	7.87	2.953	1.496	0.272	0.142	9.72	0.35	0.24	1.89
3	80	3 - 8NPT	1.38	10.39	2.70	5.98	5.51	3.35	9.45	3.543	1.496	0.323	0.169	11.61	0.43	0.28	2.17
4	100	4 - 8NPT	1.77	14.17	3.54	8.27	7.01	4.33	11.81	4.331	1.752	0.394	0.209	12.72	0.43	0.31	2.56

Pressure vs. Temperature (PSI, WATER, NON-SHOCK)

NOMINAL SIZE		PVC				CPVC						PP				PVDF				
		30° F 70° F	71° F 105° F	106° F 120° F	121° F 140° F	30° F 70° F	71° F 105° F	106° F 120° F	121° F 140° F	141° F 175° F	176° F 195° F	-5° F 85° F	86° F 120° F	121° F 140° F	141° F 175° F	-5° F 70° F	71° F 105° F	106° F 140° F	141° F 175° F	176° F 210° F
INCHES	mm																			
1/2-2	15-50	230	170	150	30	230	170	150	120	75	55	150	110	90	55	230	185	150	115	85
2 1/2	65	230	170	150	NA	230	170	150	120	75	55	150	95	70	40	230	185	150	115	85
3	80	230	170	150	NA	230	170	150	85	55	40	150	95	70	40	230	185	150	100	70
4-6	100-150	150	150	150	NA	150	150	150	85	55	40	150	95	70	40	150	150	150	100	70

Sample Specification

All TYPE 21 Ball Valves, sizes 1/2" to 4", shall be of true union design with two-way blocking capability. All O-rings shall be EPDM or FKM with PTFE seats. PTFE seats shall have elastomeric backing cushion of the same material as the valve seals. Stem shall have double O-rings and be of blowout-proof design. The valve handle shall double as carrier removal and/or tightening tool. ISO mounting pad shall be integrally molded to valve body for actuation. PVC conforming to ASTM D1784 Cell Classification 12454-A, CPVC conforming to ASTM D1784 Cell Classification 23567-A, PP Conforming to ASTM D4101 Cell Classification PPO210B67272 and PVDF conforming to ASTM D3222 Cell Classification Type II. The ball valves, except PP, shall have a pressure rating of 230 psi for sizes 1/2" to 3" and 150 psi for 4" (150 psi for PP, all sizes) at 70° F. Type 21 Ball Valves must carry a two-year guarantee, as manufactured by Asahi/America, Inc.

Cv Values

NOMINAL SIZE		Cv
INCHES	mm	
1/2	15	14
3/4	20	29
1	25	47
1 1/4	32	72
1 1/2	40	155
2	50	190
2 1/2	65	365
3	80	410
4	100	680

Weight (POUNDS)

NOMINAL SIZE		SOCKET THREADED	FLANGED
INCHES	mm		
1/2	15	0.44	1.10
3/4	20	0.66	1.54
1	25	1.10	2.70
1 1/4	32	1.54	3.30
1 1/2	40	2.64	4.40
2	50	4.40	8.15
2 1/2	65	6.17	8.80
3	80	9.70	13.00
4	100	24.00	26.67

Caution

- Never remove valve from pipeline under pressure.
- Always wear protective gloves and goggles.
- Watch out for trapped fluid in valve. It is safe to close valve before removing it from the pipeline.

Caution

- Do not use ball valves where media has suspended particles. Use the following valves: *Butterfly Valves* – PVDF disc is most abrasion resistant and make sure of chemical compatibility. *Diaphragm Valves* – Elastomeric diaphragm is designed for handling suspended particles.
- Volatile fluids such as sodium hypochlorite (NaClO) and hydrogen peroxide (H₂O₂) could be trapped and gasified within the valve. We can provide you with a Type 21 ball valve with a *vented ball* to relieve pressure build-up inside the valve.

Troubleshooting

What if the fluid still flows when valve is closed?

1. Carrier is not properly tightened. Tighten it.
2. PTFE seat is damaged or worn. Replace seat.
3. Foreign material is caught between ball and PTFE seat. Remove material and clean.
4. Ball is damaged or worn. Change ball.

What if fluid leaks outside of valve?

1. Union nut not properly tightened. Retighten.
2. Carrier is not properly tightened. Thread it in firmly.
3. Carrier or face O-ring is damaged, worn, or missing. Replace O-ring.

What if handle does not rotate smoothly?

1. Foreign material has formed on the ball or seat. Clean both.
2. Internal part(s) chemically attacked or swollen. Refer to Asahi/America Chemical Resistance Chart for compatibility. Replace part(s) as required.
3. Carrier over-tightened. Retighten properly.

What if handle rotates too freely?

1. Stem is damaged. Replace stem.
2. Handle is not engaged with stem. Disassemble and reengage. Inspect.
3. Engaging part of stem and/or ball is damaged. Change stem and/or ball.