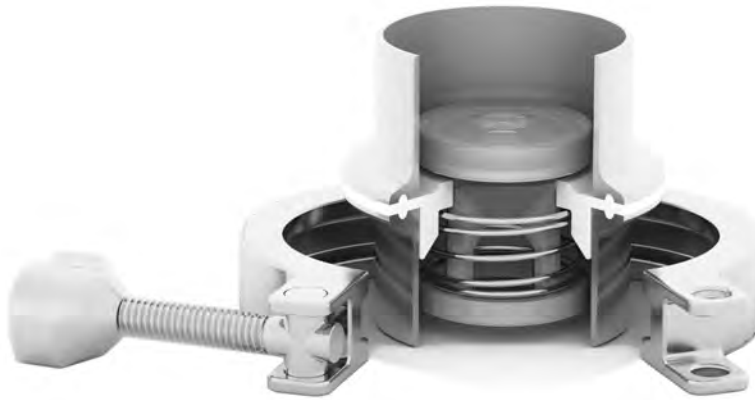
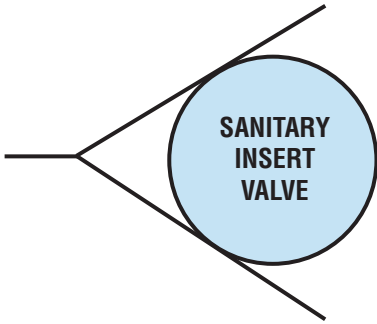




See page 56
Non-PED statement



Valve shown in ferrules. Ferrules and clamp not included.

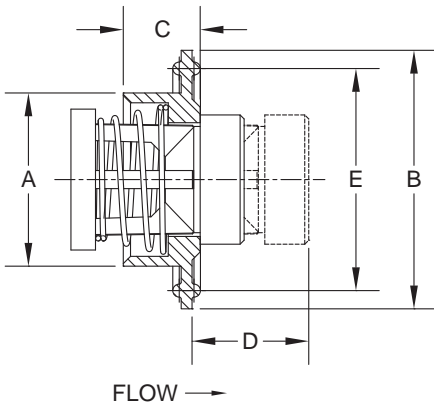
The **Sanitary Insert (CB, TC)** valve is a compact fluoropolymer (PTFE/FEP/PFA) valve which has been used for over 45 years as the most economical solution for providing a check valve in a new or existing sanitary piping system. This valve style is designed to fit into grooved-end clamp-type fittings (ferrules not included). Since the Sanitary Insert Valve replaces the gasket normally used with clamp joints, no extra space is required to accommodate the valve. The Sanitary Insert valve can also be used as a low pressure relief valve or vacuum breaker by using the desired spring settings. **For applications requiring a 3-A compliant valve, see our 3S series on page 23.**

Two different types of Sanitary Insert Valves are available. They are distinguished by the following designations in their part numbers:

TC – Designates Tri-Clamp® fittings manufactured by Alfa Laval Inc., as well as Waukesha Cherry-Burrell® S-Line Series of fittings.

CB – Designates the Waukesha Cherry-Burrell® Q-Line Series of fittings.

NOTE: Sanitary Insert Valve types TC and CB are not interchangeable!



Line Size	Size Code	TC - Alfa Laval Inc. Waukesha Cherry-Burrell® S-Line					CB - Waukesha Cherry-Burrell® Q-Line Only					Orifice ¹ Dia.
		A	B	C	D ²	E	A	B	C	D ²	E	
3/4	F	0.590	55/64	0.55	0.63	0.800	-	-	-	-	-	0.348
1	H	0.855	2	0.55	0.70	1.718	0.850	1-3/4	0.55	0.70	1.437	0.464
1-1/2	J	1.345	2	0.60	0.98	1.718	1.350	2	0.60	0.98	1.716	0.890
2	K	1.845	2-1/2	0.57	1.12	2.218	1.850	2-1/2	0.57	1.12	2.247	1.135
2-1/2	L	2.355	3	0.60	0.98	2.781	2.250	3-1/4	0.60	0.98	2.841	1.385
3	M	2.845	3-1/2	0.64	1.59	3.281	2.852	3-55/64	0.61	1.58	3.372	2.025
4	N	3.806	4-5/8	0.78	1.90	4.344	3.800	4-55/64	0.73	1.89	4.372	2.560

¹Due to molding process, orifice may vary.

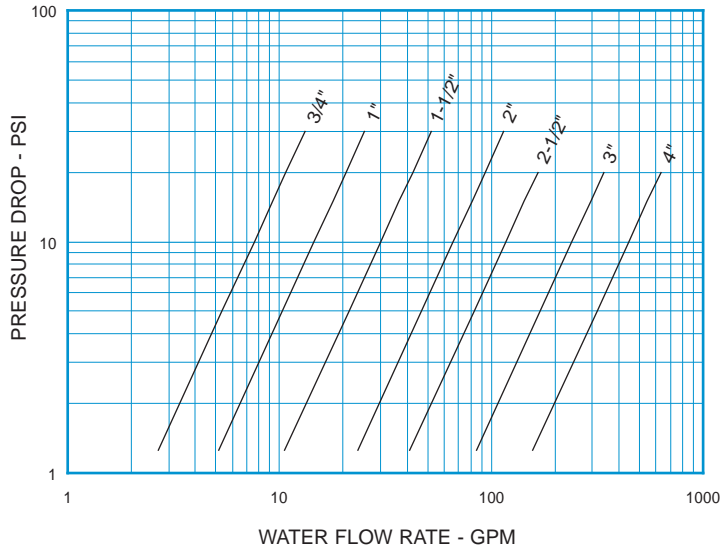
²Maximum nominal dimension for a fully open valve with no spring.

Body Material ³	Line Size	Non-Shock Pressure-Temperature Rating ⁴
PTFE (TF)	3/4" - 2"	55 PSIG @ 100°F
	2-1/2" - 4"	20 PSIG @ 100°F

³See page 54 for material grade information.

⁴Consult the factory for reduced P-T rating of PTFE valves above 100°F.

Sanitary Insert Valve
For Water at 72°F



Note: All flow curves and Cv values presume the valves are fully open with 1/2 PSI cracking pressure springs. Consult the factory for more information.

STYLE CB, TC C _v VALUES & VALVE WEIGHTS		
C _v	SIZE	PTFE
2.4	3/4	0.2 oz.
4.6	1	0.6 oz.
9.5	1-1/2	1.1 oz.
20.9	2	1.8 oz.
37.0	2-1/2	2.3 oz.
76.0	3	5.1 oz.
141	4	11.2 oz.

See page 49 for Flow Formulae.
Valve weights are approximate.

**HOW TO ORDER
CHECK-ALL STYLE CB, TC**

BODY MATERIAL
PTFE = TF
See p. 3 for temperature rating

SPRING CRACKING PRESSURES
Replace "X" with actual desired setting.
Must use decimal as a character.

(PSI)	FORMAT	EXAMPLE
.000 TO .999	= .XXX	.500
1.00 TO 9.99	= X.XX	1.50
10.0 TO 99.9	= XX.X	15.0
NO SPRING	= NOSPRG	NOSPRG

STANDARD CRACKING PRESSURES ①

.125	.500	1.50	3.50
------	------	------	------

(Sizes F-K Only)

Note: Many other cracking pressures are available. All spring tolerances +/- 15%.

TF

VALVE STYLE
SIV-CB = CB
SIV-TC = TC

SEAT MATERIAL

AFLAS® = AS	"METAL-TO-METAL" ② = MT
BUNA-N = BN	NEOPRENE = NE
FDA AFLAS® = FA	FDA BUNA = FB
EPDM/FDA EPDM = FE	FDA VITON® = FV
KALREZ® = KZ	VITON® = VT

See p. 3 for temperature ratings

SPRING MATERIAL

316 SS = SS
ALLOY C-276 = HC
ALLOY X750 OR INCONEL® X750 = IX
ALLOY 400 OR MONEL® = MO
TITANIUM = TI

See p. 4 for temperature ratings

SPECIAL OPTIONS
T = FEP ENCAPSULATED SPRING
See p. 4 for temperature rating
Contact the factory for more options

Listed above are the most common material selections. Please contact the factory for additional options.

① .500 PSI is the only standard cracking pressure for spring materials other than Stainless Steel. .125 PSI springs are not recommended for installations with flow vertical down.

② For PTFE valves, "MT" seats mean plastic to plastic. (No o-ring). See page 50 for allowable leakage rates.