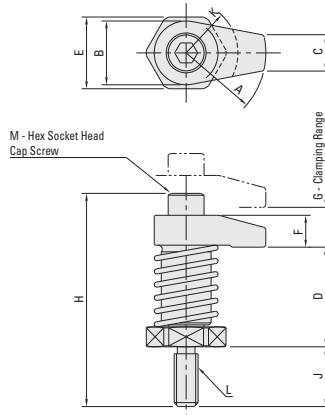


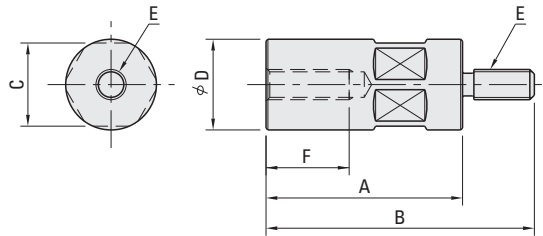
## HOOK CLAMPS - TOP MOUNT



The clamps hold work pieces securely and can be swiveled out of the way for part insertion and removal. The spring lifts the clamp arm up as the clamp is released. Made from SAE-4135 alloy steel, heat treated. Precision ground with black oxide finish.

Part #	A mm	B mm	C mm	D mm	E mm	F mm	G mm	H mm	J mm	K mm	L mm	M mm	Clamping Force Lbs	Screw Torque Ft Lbs
BJ131-08020	20	22	10	35	22	12	10	68	19	15	M8X1.25	M8X1.25 X 30	1,775	14
BJ131-08025	25	22	10	35	22	12	10	68	19	15	M8X1.25	M8X1.25 X 30	1,641	14
BJ131-08030	30	22	10	35	22	12	10	68	19	20	M8X1.25	M8X1.25 X 30	1,506	14
BJ131-08120	20	22	10	45	22	12	10	78	19	15	M8X1.25	M8X1.25 X 30	1,775	14
BJ131-08125	25	22	10	45	22	12	10	78	19	15	M8X1.25	M8X1.25 X 30	1,641	14
BJ131-08130	30	22	10	45	22	12	10	78	19	20	M8X1.25	M8X1.25 X 30	1,506	14
BJ131-12040	40	32	18	50	36	16	15	107	30	25	M12X1.75	M12X1.75 X 45	3,034	33
BJ131-12050	50	32	18	50	36	18	15	109	30	25	M12X1.75	M12X1.75 X 45	2,832	33
BJ131-12060	60	32	18	50	36	18	15	109	30	25	M12X1.75	M12X1.75 X 45	2,630	33
BJ131-12140	40	32	18	65	36	16	15	122	30	25	M12X1.75	M12X1.75 X 45	3,034	33
BJ131-12150	50	32	18	65	36	18	15	124	30	25	M12X1.75	M12X1.75 X 45	2,832	33
BJ131-12160	60	32	18	65	36	18	15	124	30	25	M12X1.75	M12X1.75 X 45	2,630	33
BJ131-16040	40	36	22	50	36	21	15	116	30	25	M16X2	M16X2 X 55	3,012	44
BJ131-16050	50	36	22	50	36	21	15	116	30	25	M16X2	M16X2 X 55	2,787	44
BJ131-16060	60	36	22	50	36	21	15	116	30	25	M16X2	M16X2 X 55	2,697	44
BJ131-16140	40	36	22	65	36	21	15	131	30	25	M16X2	M16X2 X 55	3,012	44
BJ131-16150	50	36	22	65	36	21	15	131	30	25	M16X2	M16X2 X 55	2,787	44
BJ131-16160	60	36	22	65	36	21	15	131	30	25	M16X2	M16X2 X 55	2,697	44

## RISER CYLINDERS



Can be used with hook clamp holders shown on previous page for additional height. Made from SAE-1045 alloy steel with black oxide finish.

Part #	A mm	B mm	C mm	D mm	E mm	F mm
BJ600-08032	32	51	22	24	M8X1.25	20
BJ600-08040	40	59	22	24	M8X1.25	20
BJ600-08050	50	69	22	24	M8X1.25	20
BJ600-08065	65	84	22	24	M8X1.25	20
BJ600-08080	80	99	22	24	M8X1.25	20
BJ600-08100	100	119	22	24	M8X1.25	20
BJ600-12050	50	80	36	40	M12X1.75	35
BJ600-12065	65	95	36	40	M12X1.75	35

Part #	A mm	B mm	C mm	D mm	E mm	F mm
BJ600-12080	80	110	36	40	M12X1.75	35
BJ600-12100	100	130	36	40	M12X1.75	35
BJ600-12125	125	155	36	40	M12X1.75	35
BJ600-16050	50	80	46	50	M16X2	35
BJ600-16065	65	95	46	50	M16X2	35
BJ600-16080	80	110	46	50	M16X2	35
BJ600-16100	100	130	46	50	M16X2	35
BJ600-16125	125	155	46	50	M16X2	35