



**Powerful ■ Economical ■ Made in the USA**

**Our best  
just got  
better!**



Filter Flame Guard  
Arrestor - U.S.  
Pat. # 8,496,719

U.S. Pat. #  
8,377,160

Appearance may vary.

*At Oneida we never stop innovating. We have re-designed our best-in-class V-Systems for 2015 with a static conductive, molded resin body that makes them lighter and more efficient but keeps the strength and quality that Oneida is known for!*

## **V - 5000™ 5hp Dust Collector Quote Sheet**

**1.800.732.4065**

**[www.oneida-air.com](http://www.oneida-air.com)**

*Oneida Air Systems, Inc. was founded in 1993 to bring cost effective, state-of-the-art dust collection systems and material handling ductwork to woodworking shops. OAS designs and manufactures industrial grade dust collection systems that create a practical, safe and healthy work place environment.*

# The Oneida Advantage



**Made in the USA!**

**Our entire system is ETL safety certified.**



U.S. Pat. #  
8,377,160



**Optional Wall Bracket - SMS180000**

*If you buy the Wall Bracket, you do NOT get the Stand.*

## \* Why Oneida H-12 HEPA filters.

Industrial hygienists advise that the smallest dust particles 1 - 10 microns in size are unhealthiest to breathe. They call this the (PM 10) range. They say that the PM 10 range enters and traps readily in the lungs and is very difficult for your body to expunge.

Oneida filters manufactured with a certified HEPA (H-12) GE® filter media are designed to capture upwards of 99.9+ % of particles in this size range and larger. This means that 10,000 particles entering a HEPA H-12 filter on average 0 or 1 particle would migrate through the filter.

Compare this with frequently used MERV 15 rated filters where of 10,000 (PM 10) size particles 1000 particles on average could migrate through the filter back into the air.

The dust coming through the filter can very quickly accumulate and increase the airborne dust levels in the breathable air zone. Good industrial hygiene practices teach that when dust particles are collected that they are retained in the filter system and not returned to the air in the workspace. ASHRAE 52.2 MERV rating system is a filter test designed for HVAC or heating and air-conditioning filters. These ratings although frequently used for are not specifically designed for wood dust collection systems, but rather HVAC systems. Wood dust collection systems process orders of magnitude more dust than HVAC systems. Also some wood dusts are toxic or carcinogenic. The filtering efficiency must be of a much higher order for wood dust systems. An ASHRAE 52.2 MERV 15 rated filter rated at only 90% initial efficiency on PM 10 sized dust.

### ① Motor

U.S Made Motor 5 hp, Class F  
TEFC Motor

**Pre-wired Magnetic Starter** with on/off switch and amperage overload protector.

### ② Fan Wheel / Fan Housing

Cast Aluminum Alloy 356-51, non-sparking, non-ferrous as required NFPA fire code.  
No Rivets or Welds  
Extremely Strong

Backward Incline design. Designed for high performance low noise.  
Dynamic two-plane balanced to ISO 6.3 Specifications. (Same as aircraft turbines.)

Molded, static conductive Fan Housing.

### ③ Cyclone Construction

Cyclone Technology eliminates filter maintenance.  
7" solid welded inlet with neutral vane.  
Molded static conductive resin.  
Outlet can be rotated independent of inlet.

### ④ Filter Media

95 Sq. Ft.  
GE® Certified (H-12) HEPA Media / MERV 16+ Rated - see spec sheet on website

Filter Grounding Wire

Flame Guard Arrestor - Pat. #8,496,719

### ⑤ Internal Silencer

Built in Silencer reduces sound to 75 dBA @ 10'. Patented design. Very quiet!

### ⑥ Stand (Optional)

### ⑦ Dust Drums

35 Gallon Fiber

**Bag Gripper available. Line dust drum with an easy to empty plastic bag.**

### ⑧ 1 Year Warranty

### ⑨ Freight Shipping

Allow 1 - 2" from ceiling for motor venting.



U.S. Pat. #  
8,377,160

### System Performance

- ▶ Approx. 1,422 CFM @ 2.5" S.P.  
See Specifications Below

### System Dimensions

- ▶ Height w/ 35 Gallon Drum: 91.5"
- ▶ Footprint w/ Ext. Cartridge: 32.5" x 47"
- ▶ Inlet Diameter: 7"
- ▶ Molded static conductive resin

### Integral Fan Blower

Industrial Quality Motor

- ▶ U.S. Made Motor
- ▶ 5 Horsepower Single Phase
- ▶ TEFC Motor / Insulation Class F for extra protection and motor life.
- ▶ Voltage: 230
- ▶ Amperage: 19.5
- ▶ Cast Aluminum Alloy 356-51 / Backward Inclined / Non-Sparking, Non-Ferrous as Required by NFPA Fire Code / Dynamic, Two-Plane Balanced to ISO 6.3 Specifications. The Same as Aircraft Turbine Rotors.

### Filter Media

- ▶ 13"x 39" 95 Sq. Ft.
- ▶ GE® Certified (H-12) HEPA Media / MERV 16+ Rated - see spec sheet on website

### Sound Level

- ▶ With Standard Silencer & Filter: 81 dBA @ 10'

### Included

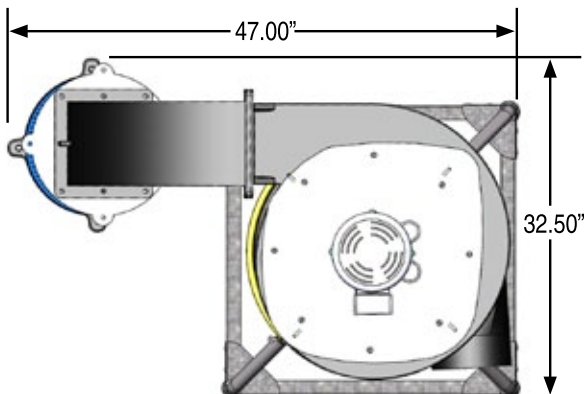
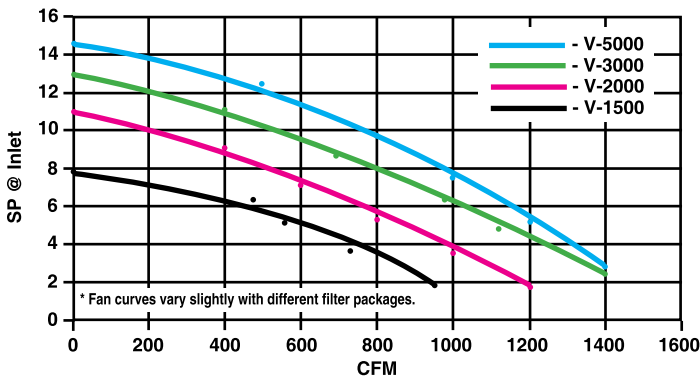
- ▶ 1 Yr. Warranty
- ▶ Internal Silencer
- ▶ FREE D.I.Y. Duct Design Guide
- ▶ Hardware Tool Kit
- ▶ Magnetic Starter - w/ On-Off Switch Preset for Add-On Remote with Amperage Overload Protector (1 Phase)
- ▶ Filter Grounding Wire
- ▶ Flame Guard Arrestor - Pat. #8,496,719

### Options

See Accessories page for pricing.

- ▶ Stand (35 Gal.) - STG210735 or 55 Gal. - STG210755
  - ▶ 35 Gal. Drum - ODK550701 / 55 Gal. Drum - ODK550701
  - ▶ Remote Control - Radio Frequency
  - ▶ Bag Gripper
  - ▶ Shop Plan Design Service
  - ▶ Wall Bracket - SMK180000
  - ▶ Dust Sentry™ - Infrared Bin Level Sensor
- Line of Sight Not Required.

\*Oneida reserves the right to change or modify specs and system appearance without notice. Actual system appearance may vary.



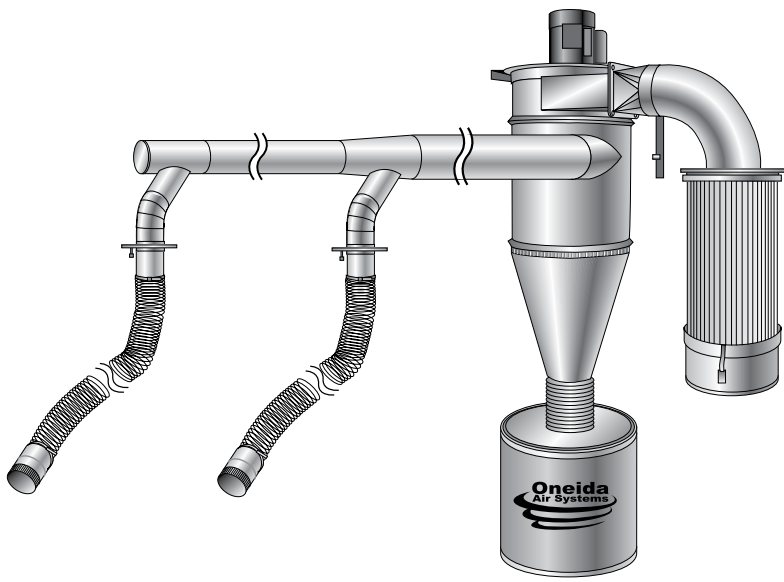
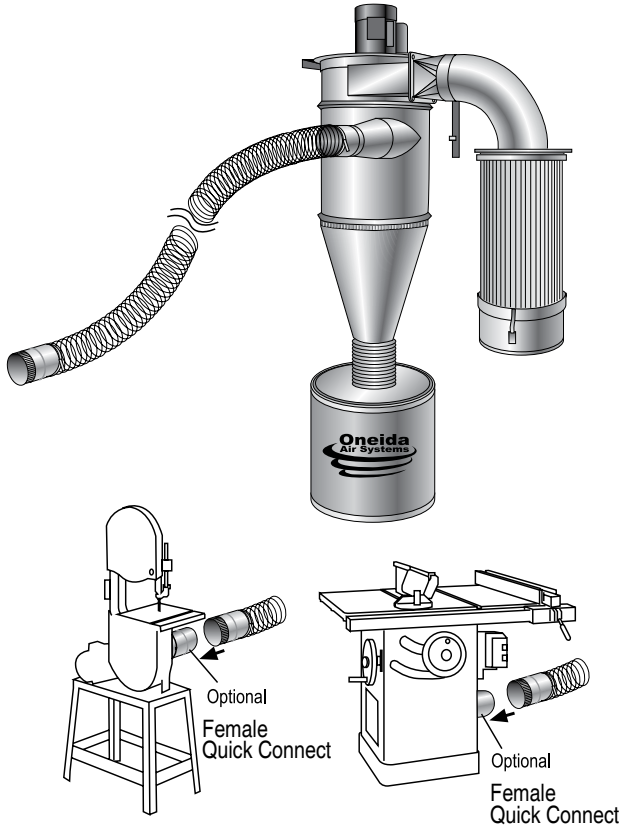
## Oneida V - 5000™ 5hp

Part #	Description	Price
XXVM050139H	V-5000™ Dust Collector	\$1,805.00
SMK180000	Wall Bracket	\$139.00
ODK350701	35 Gal. Fiber Drum	\$45.98
STG210735	35 Gal. Stand	\$219.00

\*This proposal may be withdrawn by Oneida Air Systems if not accepted within 30 days.



**These ductwork kits were designed by Oneida to take the guesswork out of ducting your dust collector and to save you time and effort.**



## Basic Starter Duct Kit 1

### Ductwork Kit #1 for 7" Inlet

Package #1 - KDZ000001 Can be attached to single tools during use.

#### Included in Package

- (2) Band Clamps 3" to 6" - ACB060000
- (1) Spiral Adapter 5" - DAS050000
- (20 ft.) 5" Flex Hose - DHF050000
- (2) Female 5" Quick Connect - DQF050000
- (1) Male 5" Quick Connect - DQM050000
- (1) 5" to 4" Reducer - DRL050400
- (1) 7" to 5" Reducer - DRL070500

**Total - Approx. \$186.00\***

## Basic Starter Duct Kit 2

### Ductwork Kit #2 for 7" Inlet

Package #2 - KDZ000002 Can connect tools at two locations near your collector.

#### Included in Package

- (4) Band Clamps 3" to 6" - ACB060000
- (2) Blastgate Adapters 5" - DAB050000
- (1) End Cap 5" - DCZ050000
- (2) 90° Adjustable Elbows - DEA900500
- (2) 5" Dia. Aluminum Blast Gates - DGA050000
- (20 ft.) 5" Flex Hose - DHF050000 - DHF050000
- (1) 7"x 60" 26 ga. Pipe - DPT260760
- (1) 5"x 60" 26 ga. Pipe - DPT260560
- (4) Female Quick Connect 5" Dia. - DQF050000
- (2) Male Quick Connect 5" Dia. - DQM050000
- (3) 5" to 4" Reducer - DRL050400
- (1) 5x5x5 45 Deg. Wye - DWS050505
- (1) 7x5x5 45 Deg. Wye - DWS070505

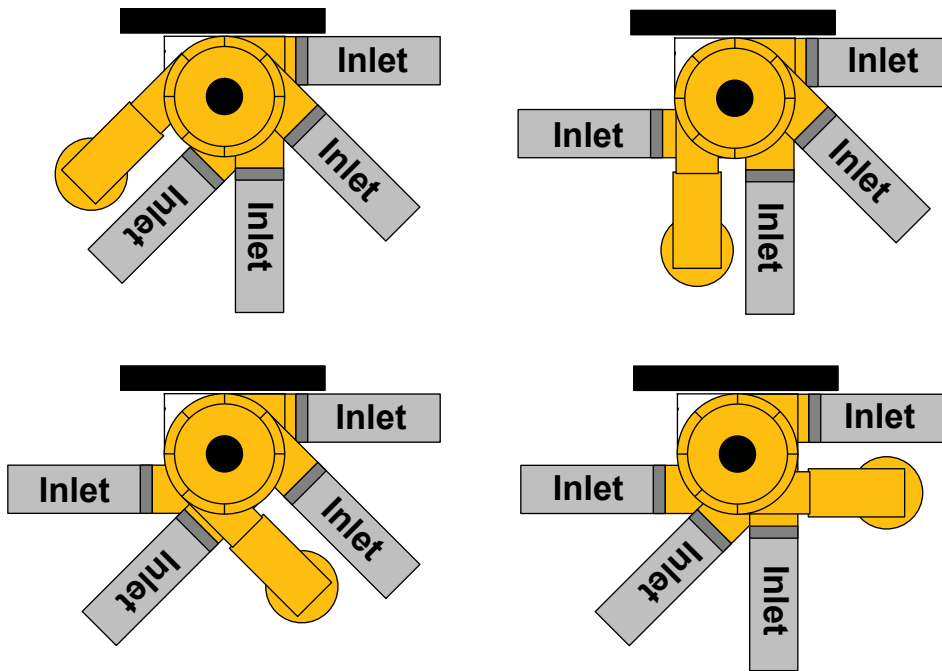
**Total - Approx. \$443.00\***

**\*Call Oneida for exact pricing.**

# Filter and Inlet Positions

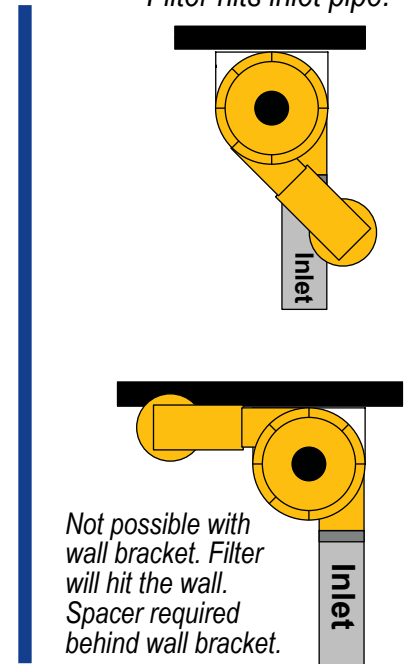
## Possible Filter Positions -

Fan housing and cyclone bolt holes are drilled at 45 degree increments. Some orientations are not possible. Please check your design.



## Not Possible Filter Positions -

Filter hits inlet pipe.



### Statement:

Shop plan ductwork and system drawings are drawn to appropriate dimensions and in no way should be considered exact measured drawings. Oneida Air assumes no responsibility for system dimension or configuration limitations at the time of installation. Oneida Air is not responsible for shop down time as a result of installing Oneida dust collection systems and ductwork.

## General Guidelines for an Efficient Duct System

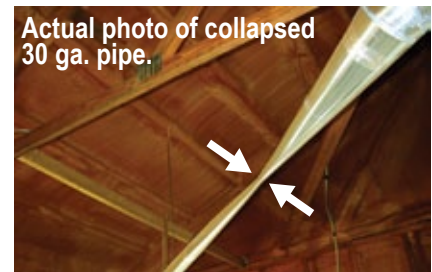
### Metal Duct Gauge

**Caution: Sheet metal fittings can have sharp edges.**

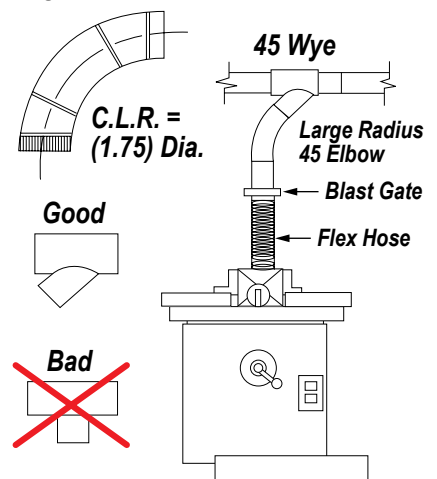
Small custom shops do well with 22 - 26 gauge pipe fittings. Thinner gauges (such as HVAC pipe) can collapse under fan pressure or dent too easily. Shorter and more direct pipe runs are best and will deliver more air volume to the woodworking machine. Elbows and turns should be kept to a minimum. Use large radius elbows, with a center line radius at least 1.5 times the diameter.

Flex hose connections to machines can be the simplest and easiest way to connect your machines to the metal duct. Flex hose creates more air resistance than metal pipe. Use short lengths of flex hose for connecting to machines. Use wire wrapped helix flex hose for static grounding, bare the ends so they contact the metal pipe. Blast gates can be used at every machine to control air flow.

Use 45 degree wye branches, not 90 degree tee branches. A wye branch has 4x the efficiency of a tee. A 45 degree wye with a 90 degree elbow adjusted to 45 degrees will create a gentle sweep that can be used as a vertical drop or as a right or left turn off of the main duct line. Seal all ducting. Silicone makes a good sealant. Even small cracks can create significant air loss.



### Large Radius Elbow



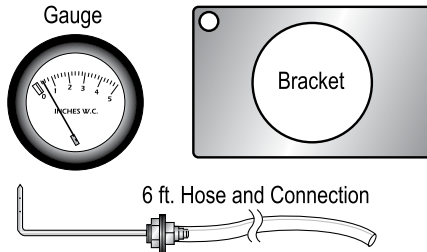
# Accessories



## Extra Drums

Part #	Description	Price
SDS350000	35 Gal. Fiber Drum & Lid	\$45.98
SDS550000	55 Gal Fiber Drum & Lid	\$52.15
SES550000	55 Gal. Steel Drum & Lid	\$114.70

\*Must purchase separate leg kit for 55 gal. drum



## Filter Efficiency Gauge

Part #	Description	Price
FXK000000	Filter Efficiency Gauge Kit	\$113.85

This easy to read gauge takes the guesswork out of knowing when your filters need to be cleaned and tells you how much pressure is backed up behind your filters. It reads pressure from plenum to gauge up to 8' away and allows you to keep your dust collection system running efficiently.



No line of sight required.  
Radio frequency.

## Remote Control Switch

Part #	Description	Price
AXR220000	Remote Control Switch	\$77.28



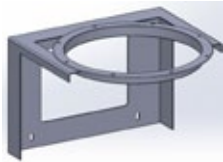
Filters are easily cleaned by blowing from the outside with compressed air.

GE® Certified (H-12) HEPA Media / MERV 16+ rated w/ Flame Guard

## Replacement Filters

Part #	Description	Price
FCS133995	13" D x 39" SpunBond Filter*	\$185.00
FCS133695HF	13" D x 36" HEPA Media Filter	\$340.00

## Wall Bracket



Part #	Description	Price
SMS180000A	Wall Bracket	\$119.00



## Drum Liner - Plastic Bag Hold-Down

Part #	Description	Price
ABX000035	35 Gal. Hold-Down	\$48.00
ABX000055	55 Gal. Hold-Down	\$58.00

Enables you to line your dust drum with a plastic bag for easy, safe dust disposal.

Pat. #  
8,514,090



The Oneida Dust Sentry™ with adjustable IST (Infrared Sensing Technology), flashes a strobe light to alert you when the dust in your container reaches your preset level, telling you when it's time to empty the container.

## Dust Sentry™

Part #	Description	Price
AXB999110A	Dust Sentry Sensing Unit	\$148.00

## Universal Drum Dolly

Part #	Description	Price
SDD990000	Universal Drum Dolly	\$89.00



The Universal Drum Dolly works with all of Oneida's drums. This includes 5 / 10 / 17 / 35 / 55 gallon drums.

## Stand Leg Extension

Part #	Description	Price
SXX137555	Leg Extension Kit	\$27.00



Leg extensions to use with the Universal Drum Dolly to lift your collector stand up so the drum can be easily be rolled in and out.

## Items Not Covered By Quote

1. Control System: Panels, wiring, system control, breaker or starters unless noted in this quotation.
2. Freight cost, custom fees, duty or loading of freight unless noted in this quotation.
3. Federal, state, municipal or other government excise, sales, use occupational or other like taxes now in force or to be enacted unless noted in this quotation.
4. All labor required for installing the equipment.
5. Anything not specifically mentioned in this quotation.
6. Oneida Air Systems, Inc. reserves the right to void this quote in the event of a typing error or gross oversight.

WARRANTY	WARRANTY	WARRANTY	WARRANTY
<b>90</b> Days	<b>1</b> Year	<b>2</b> Years	<b>5</b> Years
Dust Deputy's Bag Gripper Remote Control Electronic Items	V - Systems Dust Cobras Mini-Gorillas	Smart Portables Gorilla Portables Super Dust Gorillas Hi-Vac Systems Direct Drive Systems Pulley Drive Systems	Pro 1500 / 2000 Smart Pro Systems* (*2 Yr. Motor Warranty)

## Terms and Conditions / Shipping

Oneida tries to ship orders out in a timely manner, however sometimes delays and back orders are inevitable. Oneida will not be held responsible or liable for these conditions or the way they may effect your production. Back orders will be shipped when they are available. When orders are shipped UPS, UPS will notify you by e-mail. If shipped by Common Carrier, you can arrange for the trucking company to notify you and make arrangements for delivery. Shipping method is determined by Oneida Air Systems and is dependent upon material to be shipped and destination. You are not charged until your order is shipped.

### ► **Checking in Order**

Please look over the shipped order very carefully in the presence of the delivery person for damage or incomplete shipment before signing the delivery receipt. Please note any tears or irregularities in shipping packaging, however slight, on the shipping delivery receipt. This could be an indication of extensive concealed damage. The shipping company will not take responsibility if the damage is not noted on the delivery receipt. In the event of shipping damage, call OAS Customer Service immediately at 1.800.732.4065 so we can expedite replacements. Please check in all parts within 3 days from receiving order. Notify OAS immediately of any missing or incorrect parts. OAS does not accept any claims for damage or shortage after 3 days from date of delivery.

### ► **Limited Warranty**

Oneida Air Systems™ warrants the products manufactured by Oneida Air Systems, for a period of 1 or more years depending on the product, to the original purchaser from the date of purchase unless otherwise specified. Items not manufactured by Oneida Air Systems are limited to their own manufacturer's warranties. All electrical items such as magnetic starters, remotes, sensors, pumps and accessories are limited to 90 days. Oneida Air Systems warrants that the product will be free from defects in materials and workmanship. This warranty does not apply to defects due directly or indirectly to misuse, negligence, accidents, abuse, repairs, alterations, improper wiring or lack of maintenance. This is Oneida Air Systems sole written warranty and any and all warranties that may be implied by law, including any merchantability or fitness, for any particular purpose, are hereby limited to the duration of this written warranty. Oneida Air Systems does not warrant or represent that the merchandise complies with the provisions of any law or acts unless the manufacturer so warrants. In no event shall Oneida Air Systems' liability under this warranty exceed the purchase price paid for the product and any legal actions brought against Oneida Air Systems shall be tried in the State of New York, County of Onondaga.

**ONEIDA AIR SYSTEMS SHALL IN NO EVENT BE LIABLE FOR DEATH, INJURIES TO PERSONS OR PROPERTY OR FOR INCIDENTAL, AND CONTINGENT, SPECIAL, OR CONSEQUENTIAL DAMAGES ARISING FROM THE USE OF OUR PRODUCT.**

### ► **Safety Warning - Please Read**

Before Purchasing or Installing a dust collection system the buyer is cautioned to do so in accordance with prescribed Federal, State, Local, OSHA, NFPA, and any other applicable codes or regulations relating to the type of dust(s) you are collecting.

**SOME TYPES OF DUST UNDER CERTAIN CONDITIONS HAVE THE POTENTIAL TO BE EXPLOSIVE.**

Oneida Air Systems is not responsible for how the dust collector is used or installed. Dusts with deflagration or explosion risks, such as wood dust, may require additional safety equipment including but not limited to; venting, spark detection, suppression systems, back draft dampers or may require installation in an outside location or in a protected area away from personnel. The customer assumes the responsibility for contacting their insurance underwriter with regard to specific engineering controls or application requirements. (We suggest you reference NFPA 664, 654 and 68 codes for more information) Oneida Air Dust Collection Systems may not be suitable for some applications and are not designed to be used in explosive atmospheres. **Oneida Air Systems equipment should only be installed and wired by a licensed electrician following all applicable local and national electrical codes.**

Some dust created by power sanding, sawing, grinding, drilling, and other construction activities contains chemicals known to cause cancer, birth defects or other reproductive harm. Some examples of these chemicals are:

- Lead from lead-based paints.
- Crystalline silica from bricks, cement and other masonry products.
- Arsenic and chromium from chemically-treated lumber.

Your risk from these exposures varies, depending on how often you do this type of work. To reduce your exposure to these chemicals, work in a well ventilated area, and work with approved safety equipment, such as those dust masks that are specially designed to filter out microscopic particles. Oneida Air Systems recommends using additional approved safety equipment such as an approved OSHA and NIOSH dust mask or respirator.

**Oneida Air Systems makes every effort to accurately represent our products, specifications and prices; however Oneida Air Systems reserves the right to make changes to products and prices at any time. As a manufacturer, Oneida Air Systems reserves the right to change product designs and specifications at any time.**

### ► **Delivery Risk of Loss**

Products will be shipped to Buyer's single destination. Title and risk of loss shall pass to the Buyer upon delivery to such destination. Buyer pays transportation expenses. Dates of shipment are advisory and Oneida Air Systems will make reasonable efforts to ship on or before the date states for shipment, however, Oneida Air Systems shall not incur any liability for failure to ship on that date.

### ► **Returned Goods Policy**

Buyer must inform Oneida Air Systems of any shortage or damage, by so noting in writing, on the freight delivery bill prior to signing to indicate receipt of shipment. All claims covered under the limited warranty, are subject to inspection and investigation by Oneida Air Systems. Oneida Air Systems reserves the right to inspect and investigate all returned products before Buyer's claim is settled. All products returned for a refund must be unused and resalable and purchased within the last 30 days. There are no refunds on flex hose or custom made components. There will be a 25% restocking fee applied to any returned items. Buyer must call and obtain a Return Material Authorization Number (RMA #) prior to making a return. All merchandise must be shipped to us prepaid.