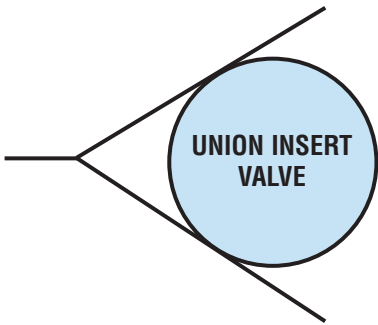




See PED statement below

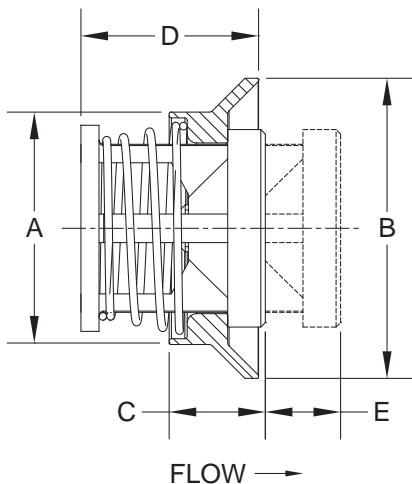


Union not included.

The **Union Insert (UV)** valve is the threaded pipe counterpart of the Flange Insert Valve. Designed to be inserted into most standard ground joint unions, it provides the simplest and most economical way to install a check valve in a threaded pipe system. A check valve may be installed anywhere in the system where there is a union. The valve works equally well in either a horizontal or vertical position with proper spring selection. Each Union Insert valve is furnished with a **metal tag**, which is quickly attached to the union when the valve is installed. This provides a **permanent visual notification** that the union contains a check valve.

**NOTE:** Bore of union must be equal to I.D. of schedule 40 pipe. Use ground joint unions with 45° seat only (union not included).

**PED Conformance Statement:** Due to the unique design of the Union Insert Valve, this series is not considered a pressure vessel but rather a gasket. According to PED Guideline 1/8, gaskets are not governed by the Pressure Equipment Directive. As a result, the UIV series is available for sale in the European Community and no CE Mark is required.



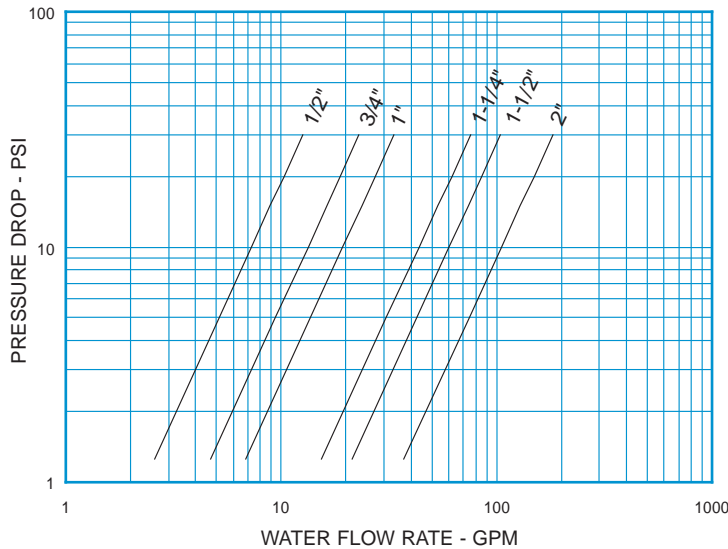
Nom. Pipe Size	Size Code	A	B	C	D	E <sup>①</sup>	Orifice Diameter
1/2	D	0.587	0.937	0.42	0.78	0.41	0.348
3/4	F	0.794	1.125	0.40	0.81	0.44	0.464
1	H	1.087	1.437	0.45	1.09	0.56	0.593
1-1/4	I	1.365	1.750	0.56	1.19	0.70	0.890
1-1/2	J	1.598	2.000	0.60	1.32	0.80	1.135
2	K	2.005	2.500	0.67	1.57	0.92	1.385

<sup>①</sup>Maximum nominal dimension for a fully open valve with no spring.

Body Material <sup>②</sup>	Availability	Non-Shock Pressure-Temperature Rating
316 Stainless Steel (SS)	Standard	3000 PSIG @ 100°F (1500 PSIG for o-ring seats)
Carbon Steel (CS)		
Brass (BR)		
Alloy 20 (A2)	Semi-standard	
Alloy C-276 (HC)		
Monel® (MO)		
Alloy B (HB)	Contact the factory for these or other materials	
Titanium (TI)		

<sup>②</sup>See page 55 for material grade information.

**Union Insert Valve**  
For Water at 72°F

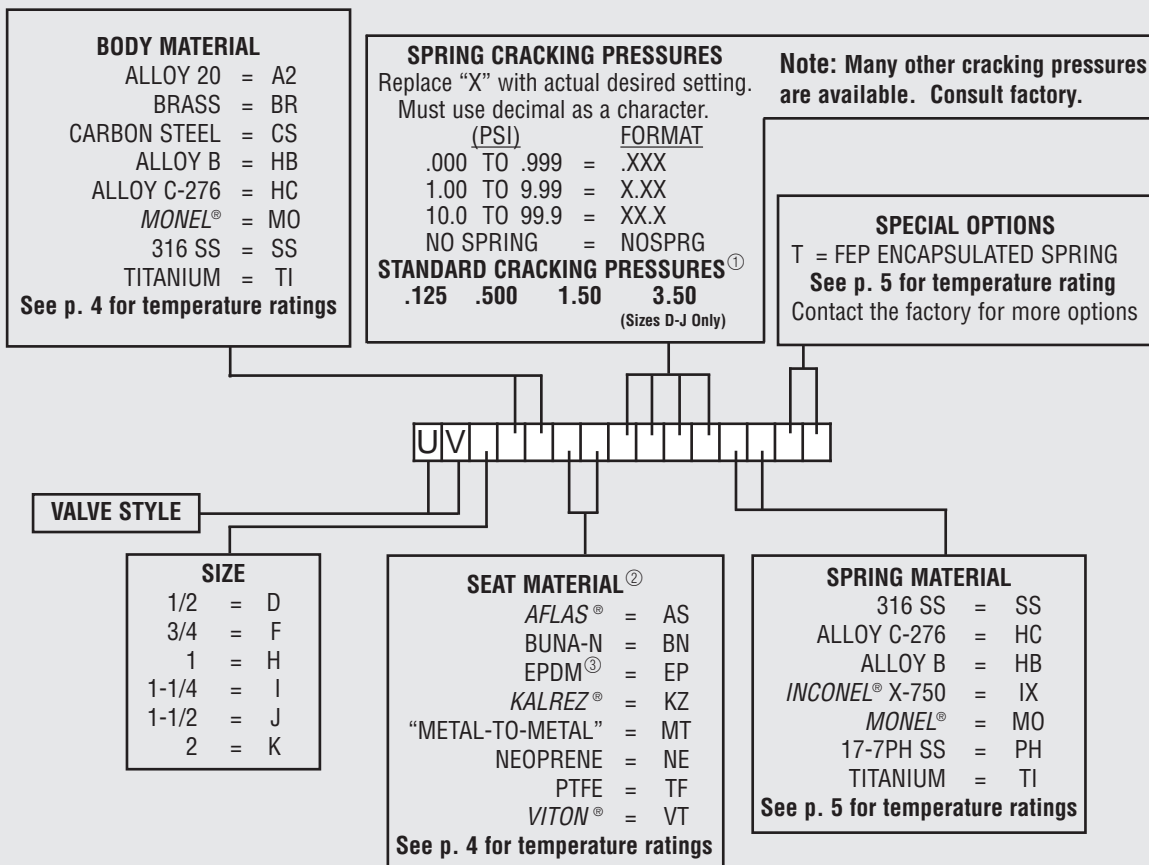


**Note:** All flow curves and Cv values presume the valves are fully open with 1/2 PSI cracking pressure springs. Consult the factory for more information.

STYLE UV (UIV) C <sub>v</sub> VALUES & VALVE WEIGHTS		
C <sub>v</sub>	SIZE	ALL MATL
2.3	1/2	0.5 oz.
4.2	3/4	0.8 oz.
6.1	1	1.6 oz.
13.8	1-1/4	2.8 oz.
19.0	1-1/2	4.3 oz.
33.3	2	7.8 oz.

See page 50 for Flow Formulae.  
Valve weights are approximate.

**HOW TO ORDER  
CHECK-ALL STYLE UV (UIV)**



Listed above are the most common material selections. Please contact the factory for additional options.

- ① .500 PSI is the only standard cracking pressure for spring materials other than Stainless Steel. Cracking pressure tolerance is +/- 15%. .125 PSI springs are not recommended for installations with flow vertical down.
- ② Seat materials other than "metal-to-metal" have a maximum pressure rating of 1500 PSI. "Metal-to-Metal" and PTFE seats are not resilient. See page 51 for allowable leakage rates.
- ③ EP seats not recommended for use with Carbon Steel valves.