

JDN AIR WINCHES PROFI LIFTER 500

CAPACITIES 500 KG/750 KG 5./1. ROPE LAYER

NEW



THE ADVANTAGES AT A GLANCE

- High reliability and availability at low maintenance
- Compact design and low weight for mobile applications
- Powerful pneumatic drive with sensitive control
- High rope capacity up to 5 layers
- Ideal for operation in hazardous areas

Ex-Classification:  II 3 GD IIA T4(X)



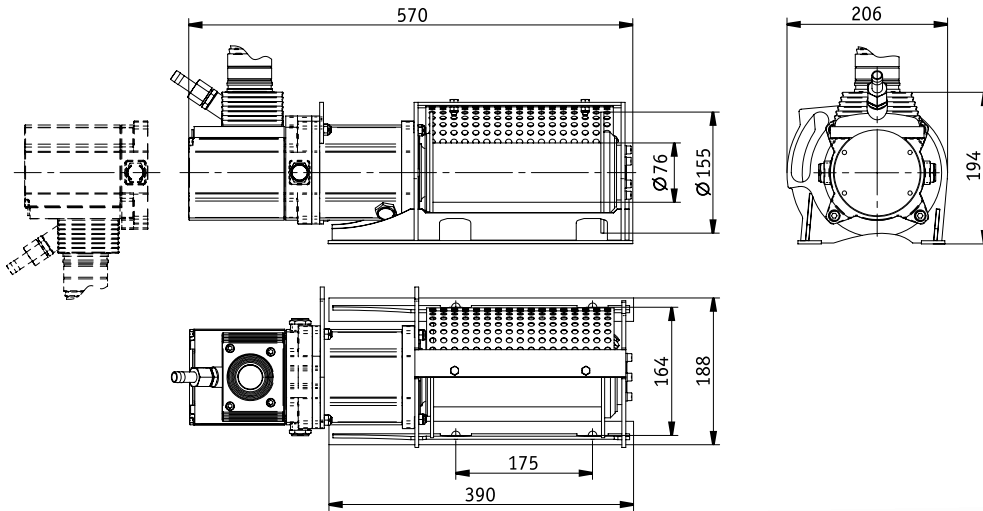
J. D. NEUHAUS
powered by air!

TECHNICAL DATA

JDN AIR WINCHES PROFI LIFTER 500

The innovative JDN Air Winches PROFI LIFTER 500 come in modern design. The motor with integral brake which needs no additional air lubricant is proven in the JDN hoist series with high reliability. The gear train cooling by exhaust air provides a 100% duty time combined with minimum maintenance.

DIMENSIONS [mm]



TECHNICAL DATA

Air pressure	bar	6*
Max. number of rope layers		5
Max. motor power	kW	1
Air connection		G 1/2
Rope diameter	mm	5.5-7.0
Weight (without rope)	kg	29.3
Air consumption at full load - lifting	m ³ /min	1.2
Sound level at full load - lifting	dB(A)	85



SPEED DATA [m/min]

Rope diameter 6 mm		Lifting		Lowering	
		1. Layer	5. Layer	1. Layer	5. Layer
Load [kg]	0	17.7	28.2	13.3	21.2
	250	14.1	19.0	16.6	29.6
	500	10.4	9.8	19.9	37.9
	750	6.8	-	23.2	-

ROPE CAPACITIES [m]

Rope layers	Rope diameter [mm]			
	5.5	6.0	6.5	7.0
1.	9.1	8.4	7.7	7.1
1. + 2.	20.4	18.8	17.5	16.4
1., 2. + 3.	33.0	30.6	28.7	27.0
1., 2., 3. + 4.	46.9	43.8	41.2	39.0
1., 2., 3., 4. + 5.	62.2	58.3	-	-

*Data for 4 bar on request



The winches are operated sensitively by direct pendant control over the full load range.

W 602 GB • Issue: November 2005 • Alterations reserved • 1120051

J.D. Neuhaus GmbH & Co. KG_D-58449 Witten-Heven
 Phone: +49 (0) 23 02-2 08-0 _ Fax: +49 (0) 23 02-2 08-286
 web site: www.jdn.de _ e-mail: info@jdn.de



J. D. NEUHAUS
 powered by air!