

# MULTI-PORT SANITARY VALVES

## 3-WAY SANITARY VALVES

**THE ULTIMATE IN  
AUTOMATION TECHNOLOGY!!!**



**EA-407-SN**

### FEATURES / SPECIFICATIONS:

- Tru-Flo Multi-Port Tri-Clamp Sanitary Ball Valves are supplied in Standard and Encapsulated (Cavity Filled) designs.
- Multi-Port Valves provide a positive seal at every port.
- Direct Mounting ISO5211 Pad facilitates easy automation and installation in space restrictive applications.
- Spring loaded washers create a live loaded, self-adjusting stem assembly reducing in-line maintenance costs
- Ideally suited for high cycle applications in either manual or automated conditions
- Multi-Port Valves reduce costs and simplify flow control enabling shutoff and directional control with a single valve
- 316 Stainless Steel
- Full-Port design in 8-12 Ra finish
- When equipped with Encapsulated (Cavity Filled) Seats, Tru-Flo Multi-Port Sanitary Ball Valves meet or exceed USDA and FDA standards in federally inspected facilities
- Options: Tri-Clamp or Butt-Weld
  - Standard and Encapsulated (Cavity Filled) Styles
  - L-Port or T-Port configuration
  - Sizes 1"-4"

| Item | Part name                | Material |  |
|------|--------------------------|----------|--|
| 1    | body                     | CF8M     |  |
| 2    | end caps                 | CF8M     |  |
| 3    | seat                     | PTFE     |  |
| 4    | ball                     | SUS 316  |  |
| 5    | stem                     | SUS 316  |  |
| 6    | joint gasket             | PTFE     |  |
| 7    | gasket                   | PTFE     |  |
| 8    | seal                     | PTFE     |  |
| 9    | gland ring               | SUS 304  |  |
| 10   | o ring                   | VITON    |  |
| 11   | belleville spring washer | SUS 301  |  |
| 12   | lever nut                | SUS 304  |  |
| 13   | locking tab              | SUS 304  |  |
| 14   | handle                   | SUS 304  |  |
| 15   | plastic coating          | PVC      |  |
| 16   | stop screw               | SUS 304  |  |
| 17   | bolts                    | SUS 304  |  |
| 18   | static device            | SUS 316  |  |
| 19   | spring                   | SUS 316  |  |

**EA-407-SN**

S&K Automation  
Phone 763-476-1013  
Valve Website: [www.sk-automation.com/](http://www.sk-automation.com/)

3530 Olive Ln N  
Fax 763-476-6920

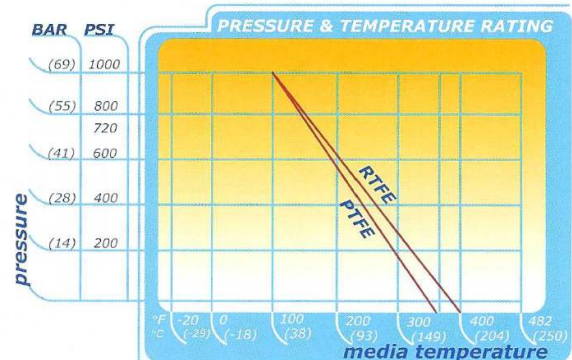
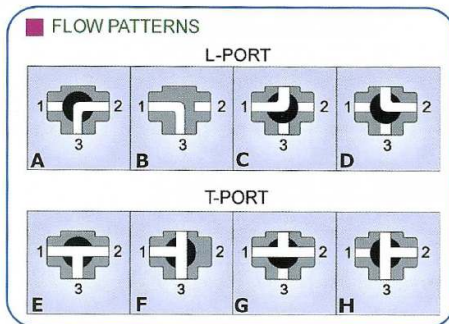
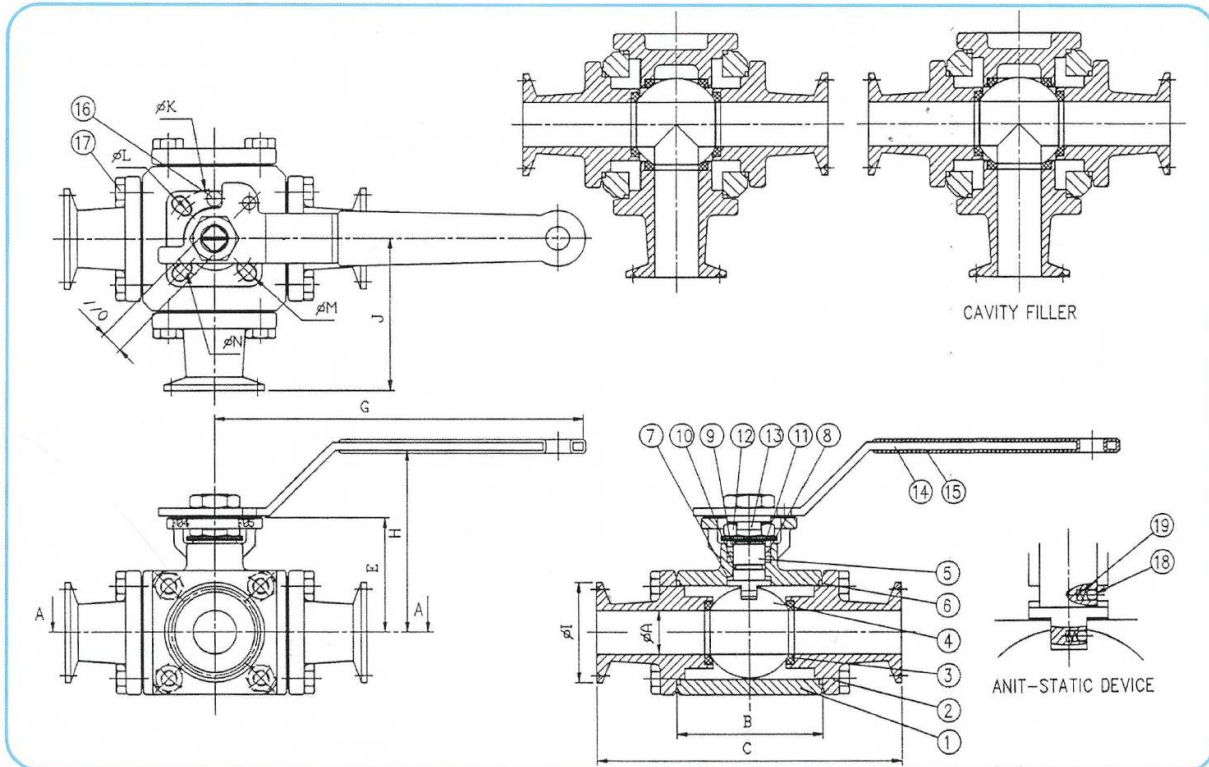
Plymouth, MN 55447  
[david@sk-automation.com](mailto:david@sk-automation.com)

Instrument Website: [www.sk-instruments.com/](http://www.sk-instruments.com/)

# MULTI-PORT SANITARY VALVES

## 3-WAY SANITARY VALVES

| DIMENSIONS (mm) |      |       |       |     |       |      |     |       |       |        |     |    |    |   |    |
|-----------------|------|-------|-------|-----|-------|------|-----|-------|-------|--------|-----|----|----|---|----|
| size            | A    | B     | C     | D   | E     | F    | G   | H     | I     | J      | K   | L  | M  | N | O  |
| 1"              | 22.1 | 73.2  | 152.4 | 46  | 57.6  | 11   | 185 | 91.6  | 50.4  | 76.2   | 50  | 42 | 7  | 6 | 11 |
| 1-1/2"          | 34.8 | 97.5  | 190.5 | 66  | 76.6  | 14.8 | 220 | 110.2 | 50.4  | 95.25  | 70  | 50 | 9  | 7 | 14 |
| 2"              | 47.5 | 120.3 | 215.9 | 86  | 86.7  | 14.8 | 220 | 120.3 | 63.9  | 107.95 | 70  | 50 | 9  | 7 | 14 |
| 3"              | 73.1 | 171.9 | 304.8 | 132 | 123.4 | 17.1 | 350 | 168.4 | 90.9  | 152.4  | 102 | 70 | 11 | 9 | 17 |
| 4"              | 97.4 | 210.4 | 330.2 | 165 | 139.9 | 17.1 | 350 | 184.9 | 118.9 | 165.1  | 102 | 70 | 11 | 9 | 17 |



S&K Automation  
 Phone 763-476-1013  
 Valve Website: [www.sk-automation.com/](http://www.sk-automation.com/)

3530 Olive Ln N  
 Fax 763-476-6920

Plymouth, MN 55447  
[david@sk-automation.com](mailto:david@sk-automation.com)

Instrument Website: [www.sk-instruments.com/](http://www.sk-instruments.com/)