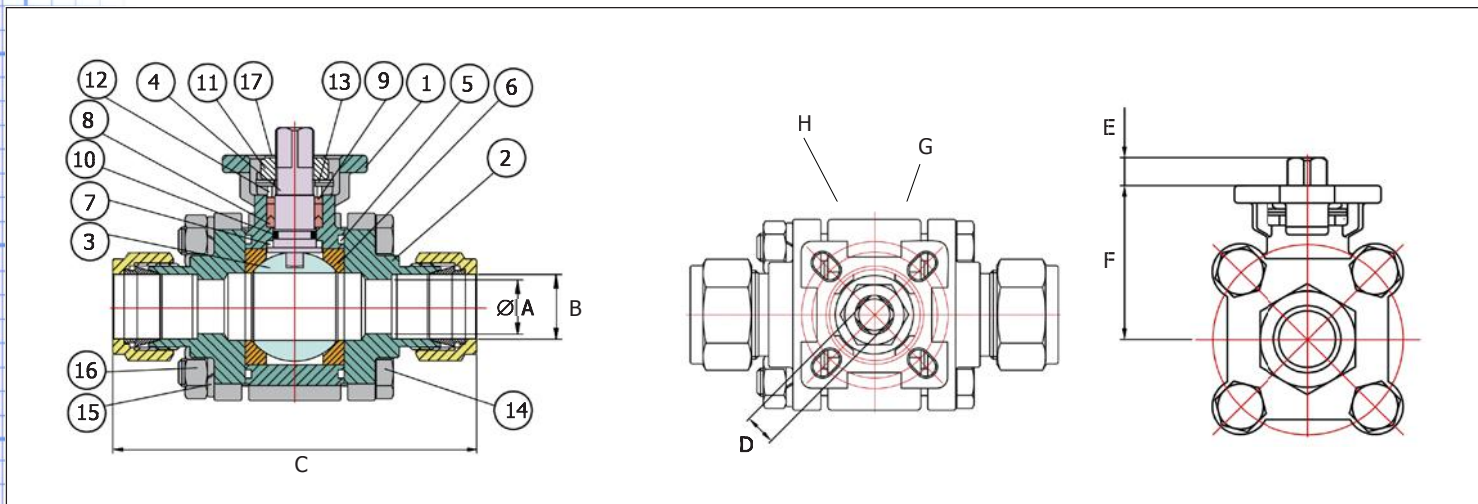


## SERIES 1300 2000PSI 2-Way 3-Piece Stainless Steel Standard Port Instrument Valve

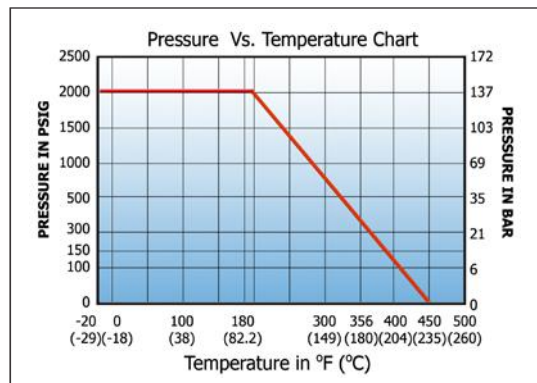
2000PSI CF8M S.S. Direct Mount Valve with TFM1600 Seats and Viton Seals



- ISO-5211 Mounting Pad
- Compression Ends with Heat Treated Ferrules
- Working pressure to 2000 PSI
- Temperature range -40° F to 450° F
- High Performance Adjustable Packing
- Bi-Directional Flow
- Extremely High Cycle Life
- Sizes 1/4" to 3/4"



NO.	PART NAME	MATERIAL	N PCS.
1	Body	CF8M	1
2	End Cap	CF8M	2
3	Ball	SS316	1
4	Stem	SS316	1
5	Packing	PTFE	2
6	Seat	TFM1600	2
7	Stem Seal	PTFE	1
8	V-Ring Packing	PTFE	1set
9	Bushing	50%SS/50%PTFE	1
10	O-Ring	VITON	1
11	Stem Nut	SS304	1
12	Gland	SS304	1
13	Belleville Washer	SS304	2
14	Bolt	SS304	4
15	Washer	SS304	4
16	Bolt Nut	SS304	4
17	Lock saddle	SS304	1



Size	Ø A	B	C	D	E	F	G	H	Cv	Break Torque in/Lb	W (Lb)
1/4"	0.18	0.26	3.74	0.35	.035	1.60	F03 1.42"	F04 1.65"	5.3	46	0.8
3/8"	0.25	0.38	3.79	0.35	0.35	1.60	F03 1.42"	F04 1.65"	8	46	0.9
1/2"	0.37	0.51	4.02	0.35	0.35	1.60	F03 1.42"	F04 1.65"	19	46	0.9
3/4"	0.63	0.75	4.02	0.35	0.35	1.72	F03 1.42"	F04 1.65"	35	58	1.2

DIMENSIONS (in)