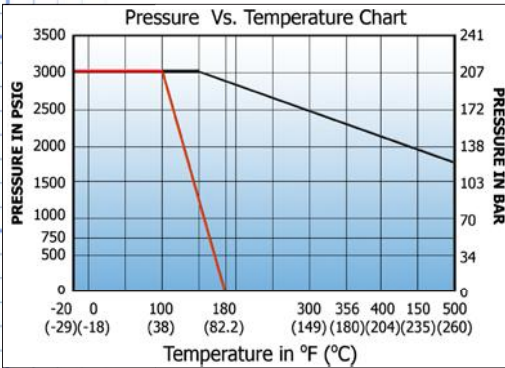


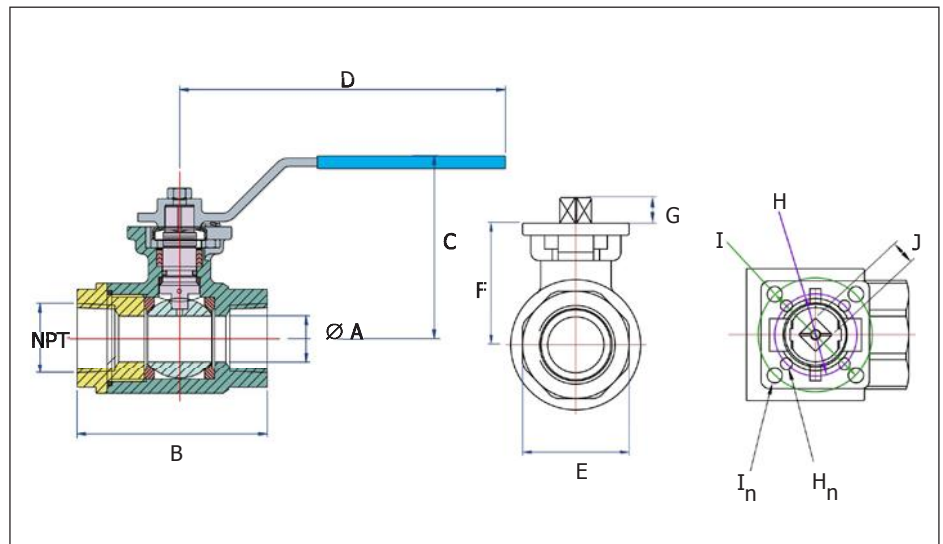
**SERIES 3000** 3000 PSI 2-Way Carbon Steel FNPT Ball Valve  
**SERIES 3100** 3000 PSI 2-Way Stainless Steel FNPT Ball Valve

Direct Mount 2-Way 2-Piece Ball Valve, Full Port 1/4" to 1-1/2"  
 2" Reduced Port

- NACE MR-0175
- ISO-5211 Mounting Pad
- Blow-Out Proof Stem/Anti-Static Design
- Chevron-Style Packing
- Viton Stem O-Ring/HNBR Optional
- Working pressure is up to 3000 psi
- Tested to 4500 Psi
- Temperature range -40° F to 450° F

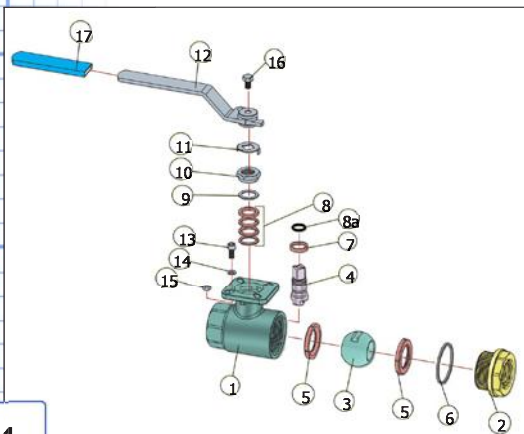


NO.	PART NAME	MATERIAL	N PCS.
1	Body	CF8M/WCB	1
2	End Cap	CF8M/WCB	1
3	Ball	CF8M	1
4	Anti-Static Stem	SS316	1
5	Ball Seat	DELIRIN	2
6	Body Seal	PTFE	1
7	Thrust Washer	PTFE	1
8	Stem Packing	PTFE	1
8a	O-Ring	VITON	1
9	Thrust Washer	50%SS/50%PTFE	1
10	Stem Nut	SS304	1
11	Lock Saddle	SS304	1
12	Handle	SS304	1
13	Stop Bolt	SS304	1
14	Stop Nut	SS304	1
15	Stop Washer	SS304	1
16	Handle Bold	SS304	1
17	Handle Sleeve	VINYL	1



DIMENSIONS (in)

Size	Ø A	B	C	D	E	F	G	H	H <sub>n</sub>	I	I <sub>n</sub>	J	Cv	Break Torque in/Lb	W (Lb)
1/4"	0.38	2.95	2.31	6.30	1.02	1.61	0.31	F03 1.42"	0.22	F04 1.65"	0.22	0.35	5.3	104	1.4
3/8"	0.38	2.95	2.31	6.30	1.02	1.61	0.31	F03 1.42"	0.22	F04 1.65"	0.22	0.35	8	104	1.4
1/2"	0.50	2.95	2.31	6.30	1.28	1.61	0.31	F03 1.42"	0.22	F04 1.65"	0.22	0.35	19	130	1.5
3/4"	0.69	3.19	2.60	6.30	1.51	1.72	0.31	F03 1.42"	0.22	F04 1.65"	0.22	0.35	35	156	2.0
1"	0.87	3.58	3.02	6.30	1.86	2.11	0.39	F04 1.65"	0.28	F05 1.97"	0.24	0.43	50	208	3.1
1-1/4"	1.14	4.33	3.19	6.30	2.32	2.32	0.39	F04 1.65"	0.28	F05 1.97"	0.24	0.43	110	390	4.8
1-1/2"	1.37	4.76	3.84	8.27	2.96	2.96	0.51	F05 1.97"	0.36	F07 2.76"	0.28	0.55	180	468	8.1
2"	1.37	5.71	4.14	8.27	2.96	2.96	0.51	F05 1.97"	0.36	F07 2.76"	0.28	0.55	210	468	10.5

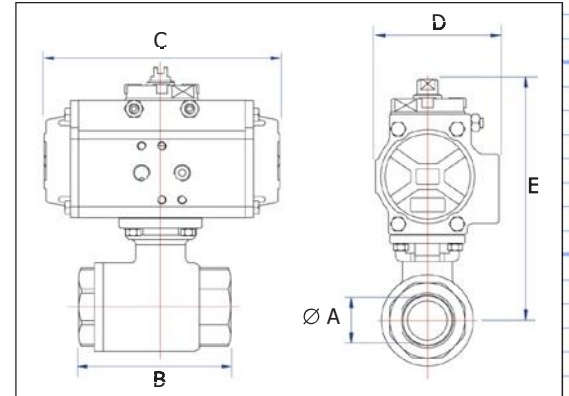


**8P3000** 3000PSI Direct Mount, 2-Way Carbon Steel Ball Valve with DA Pneumatic Actuator

**8P3100** 3000PSI Direct Mount, 2-Way S.S. Ball Valve with DA Pneumatic Actuator

**8P3002** 3000PSI Direct Mount, 2-Way Carbon Steel Ball Valve with SR Pneumatic Actuator

**8P3102** 3000PSI Direct Mount, 2-Way S.S. Steel Ball Valve with SR Pneumatic Actuator



VALVE WITH DOUBLE ACTING ACTUATOR

Size	Ø A	B	C	D	E	Wt.	Act.
1/4"	0.38	2.95	5.49	2.80	5.13	3.6	DA52
3/8"	0.38	2.95	5.49	2.80	5.13	3.6	DA52
1/2"	0.50	2.95	5.49	2.80	5.13	3.7	DA52
3/4"	0.69	3.19	5.49	2.80	5.24	4.2	DA52
1"	0.87	3.58	6.38	3.17	6.07	6.4	DA63
1-1/4"	1.14	4.33	8.15	3.72	6.93	10.3	DA75
1-1/2"	1.37	4.76	8.15	3.72	7.57	13.6	DA75
2"	1.37	5.71	8.15	3.72	7.57	16.0	DA75

Dimensions (in)

VALVE WITH SPRING RETURN ACTUATOR

Size	Ø A	B	C	D	E	Wt.	Act.
1/4"	0.38	2.95	5.49	2.80	5.57	11.2	SR63
3/8"	0.38	2.95	5.49	2.80	5.57	11.2	SR63
1/2"	0.50	2.95	5.49	2.80	8.72	18.4	SR75 *
3/4"	0.69	3.19	5.49	2.80	8.83	21.0	SR75 *
1"	0.87	3.58	6.38	3.17	7.17	18.9	SR85
1-1/4"	1.14	4.33	8.15	3.72	10.39	27.7	SR100 *
1-1/2"	1.37	4.76	8.15	3.72	9.71	35.4	SR115
2"	1.37	5.71	8.15	3.72	9.71	37.6	SR115

Dimensions (in)

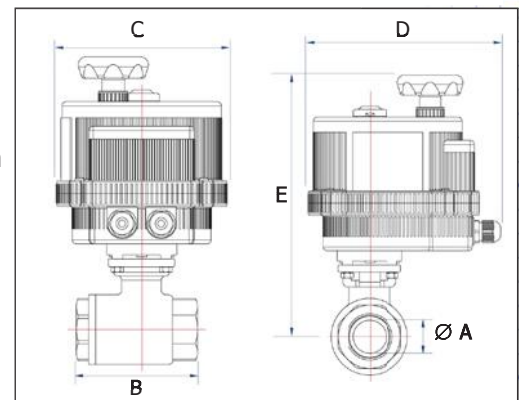
\* = Denotes Use of a Bracket

**8E3000-\*\*\*** 3000PSI Direct Mount, 2-Way Carbon Steel Ball Valve with Electric Actuator

**8E3100-\*\*\*** 3000PSI Direct Mount, 2-Way S.S. Ball Valve with Electric Actuator



*** = Electric Supply Order Suffix	
Standard	
12VDC	001
24V AC/DC	002
100-240VAC	003
Fail Safe	
12VDC	N/A
24V AC/DC	012
100-240VAC	013
Positioner	
12VDC	021
24V AC/DC	022
100-240VAC	023



VALVE WITH ELECTRIC ACTUATOR

Size	Ø A	B	C	D	E	Wt.	Act.
1/4"	0.38	2.95	4.84	6.41	7.18	8.2	VB015
3/8"	0.38	2.95	4.84	6.41	7.18	8.2	VB015
1/2"	0.50	2.95	7.40	7.50	9.01	10.2	VB030
3/4"	0.69	3.19	7.40	7.50	9.12	10.3	VB030
1"	0.87	3.58	7.40	7.50	9.51	11.2	VB030
1-1/4"	1.14	4.33	8.46	8.43	10.8	14.2	VB060
1-1/2"	1.37	4.76	8.46	8.43	11.4	14.9	VB060
2"	1.37	5.71	8.46	8.43	11.4	17.3	VB060

Dimensions (in)