

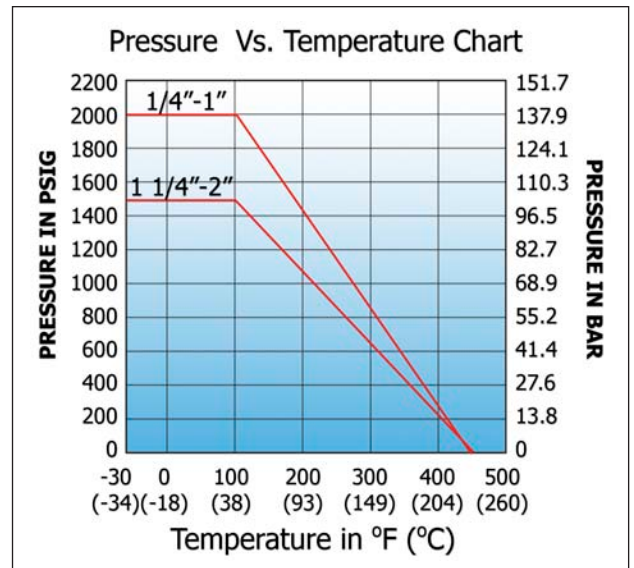
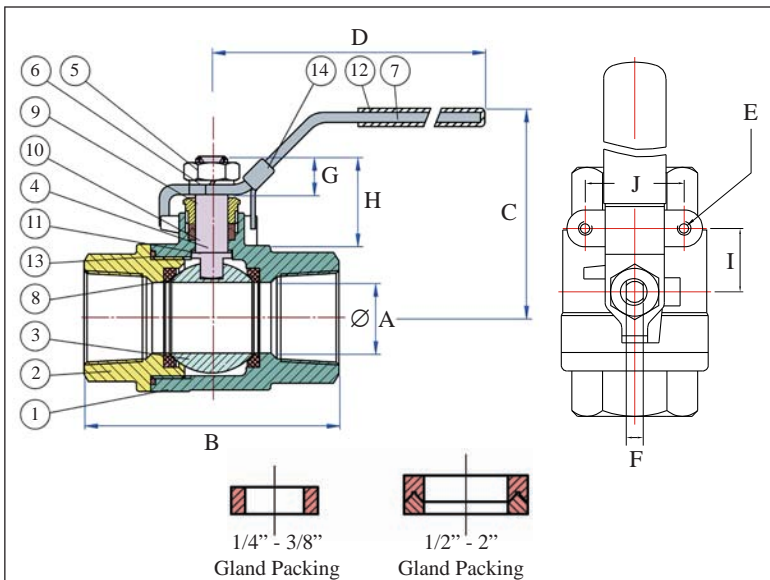
SERIES 700 LL

2-PIECE FULL PORT BALL VALVE WITH LOCKING HANDLE



Stainless Steel Ball Valve - Two way Two Piece valve, full port from 1/4" to 2" Threaded FNPT

- Self adjusting stem packing
- Blow-out proof stem design
- 100% air tested under water at 80 psi
- Working pressure is 2000 psi (1/4" to 1"), 1500 psi (1 1/4" to 2")
- Temperature range -40° F. to 450° F.



DIMENSIONS (in)

NO.	PART NAME	MATERIAL	N PCS.
1	Body	CF8M	1
2	End Cap	CF8M	1
3	Ball	SS 316	1
4	Stem	SS 316	1
5	Stem Nut	SS 304	1
6	Stem Washer	SS 304	1
7	Lever	SS 304	1
8	Seat	RTFE	2
9	Gland Nut	SS 304	1
10	*V-Ring Packing	PTFE	*
11	Thrust Washer	PTFE	1
12	Handle Sleeve	Vinyl	1
13	Joint Gasket	PTFE	1
14	Locking Device	SS 304	1

Full Port	Ø A	B	C	D	E	F	G	H	I	J	Cv	Break Torque	W (Lb)
1/4"	0.45	2.16	1.97	3.94	10-24UNC	0.20	0.38	0.87	0.50	1.12	8	46	0.50
3/8"	0.49	2.16	1.97	3.94	10-24UNC	0.20	0.38	0.87	0.50	1.12	10	46	0.50
1/2"	0.59	2.56	2.36	5.12	10-24UNF	0.26	0.43	1.01	0.50	1.12	15	58	0.83
3/4"	0.78	2.93	2.52	5.12	10-24UNF	0.26	0.43	1.01	0.88	1.38	34	81	1.14
1"	0.98	3.46	2.79	6.50	10-24UNF	0.31	0.53	1.24	0.92	1.38	56	138	2.02
1 1/4"	1.25	4.02	3.07	6.50	1/4"-20UNF	0.31	0.53	1.24	1.00	1.50	85	173	2.70
1 1/2"	1.49	4.33	3.39	7.48	1/4"-18UNF	0.38	0.61	1.38	1.00	1.50	125	263	4.18
2"	1.96	4.92	3.74	7.48	1/4"-18UNF	0.38	0.61	1.20	1.00	1.50	250	323	6.86

* 1/4" - 3/8" regular 1pc stem packing is used instead
1/2" - 2" 1 set of v-ring packing consists of 2pcs of v-ring

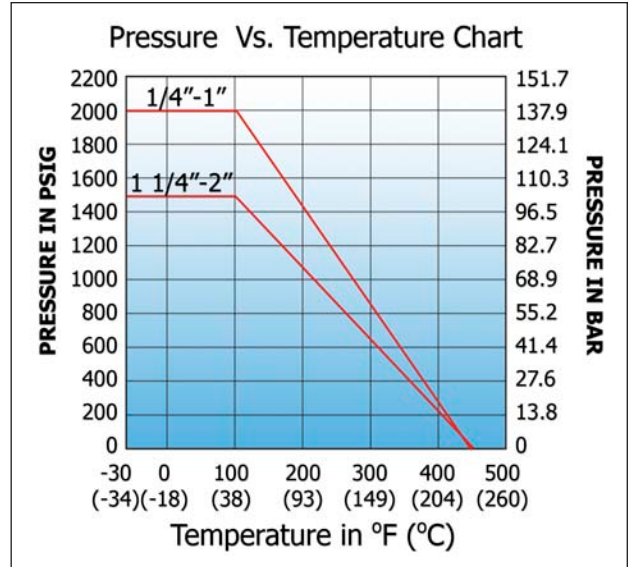
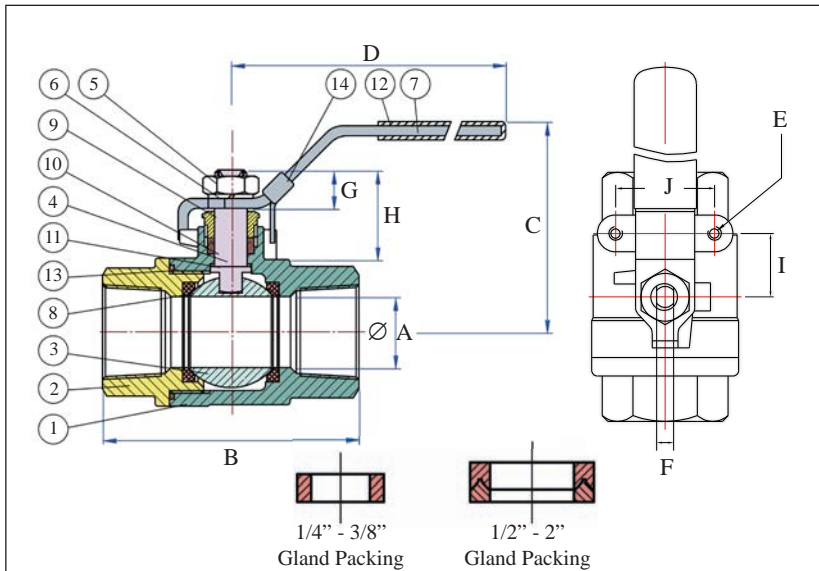
SERIES 600 LL

2-PIECE FULL PORT BALL VALVE WITH LOCKING HANDLE



Carbon Steel WCB Ball Valve - Two way Two Piece valve, full port from 1/4" to 2" Threaded FNPT

- Self adjusting stem packing
- Blow-out proof stem design
- 100% air tested under water at 80 psi
- Working pressure is 2000 psi (1/4" to 1"), 1500 psi (1 1/4" to 2")
- Temperature range -40° F. to 450° F.



DIMENSIONS (in)

NO.	PART NAME	MATERIAL	N PCS.
1	Body	WCB	1
2	End Cap	WCB	1
3	Ball	SS 316	1
4	Stem	SS 316	1
5	Stem Nut	SS 304	1
6	Stem Washer	SS 304	1
7	Lever	SS 304	1
8	Seat	RTFE	2
9	Gland Nut	SS 304	1
10	*V-Ring Packing	PTFE	*
11	Thrust Washer	PTFE	1
12	Handle Sleeve	Vinyl	1
13	Joint Gasket	PTFE	1
14	Locking Device	SS 304	1

Full Port	Ø A	B	C	D	E	F	G	H	I	J	Cv	Break Torque	W (Lb)
1/4"	0.45	2.16	1.97	3.94	10-24UNC	0.20	0.38	0.87	0.50	1.12	8	46	0.50
3/8"	0.49	2.16	1.97	3.94	10-24UNC	0.20	0.38	0.87	0.50	1.12	10	46	0.50
1/2"	0.59	2.56	2.36	5.12	10-24UNF	0.26	0.43	1.01	0.50	1.12	15	58	0.83
3/4"	0.78	2.93	2.52	5.12	10-24UNF	0.26	0.43	1.01	0.88	1.37	34	81	1.14
1"	0.98	3.46	2.79	6.50	10-24UNF	0.31	0.53	1.24	0.92	1.37	56	138	2.02
1 1/4"	1.25	4.02	3.07	6.50	1/4"-20UNF	0.31	0.53	1.24	1.00	1.50	85	173	2.70
1 1/2"	1.49	4.33	3.39	7.48	1/4"-18UNF	0.38	0.61	1.38	1.00	1.50	125	263	4.18
2"	1.96	4.92	3.74	7.48	1/4"-18UNF	0.38	0.61	1.20	1.00	1.50	250	323	6.86

* 1/4" - 3/8" regular 1pc stem packing is used instead
1/2" - 2" 1 set of v-ring packing consists of 2pcs of v-ring