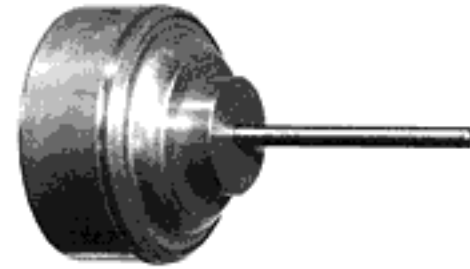




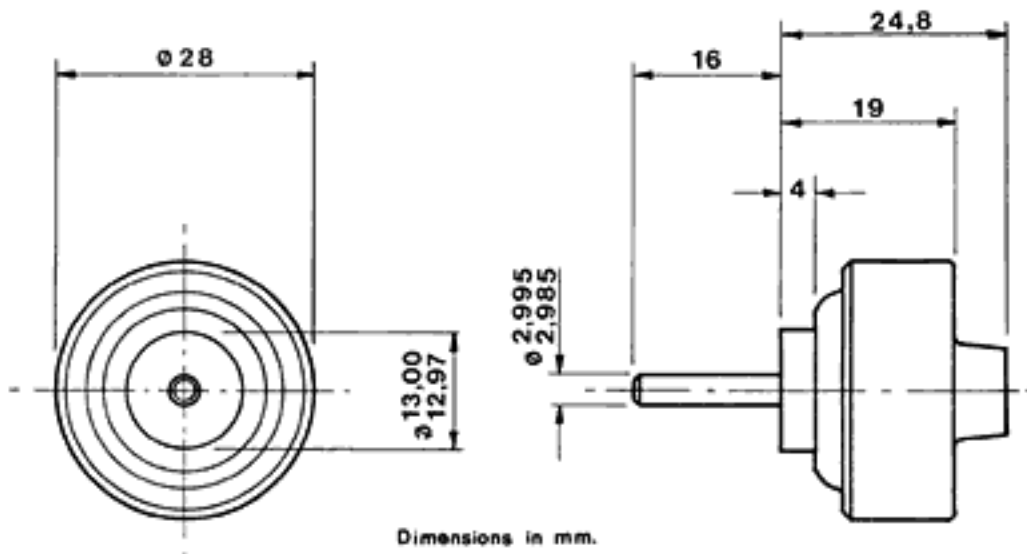
# Model N – CRD CR Dashpot

## SPECIFICATION

Rate	Fixed - see curves below ( $\pm 10\%$ )
Max. shaft end load	3 lbf / 13 Nm
Max. shaft side load	2.2 lbf / 10 N
Ambient temperature range	0°C to 60°C
Frictional torque	0.015 lbf.ins / 0.002 Nm typical
Shaft material	Stainless steel 431S29
Body material	Zinc alloy Mazak 3
Weight	0.075 lbs / 34 g



British and Foreign Patents

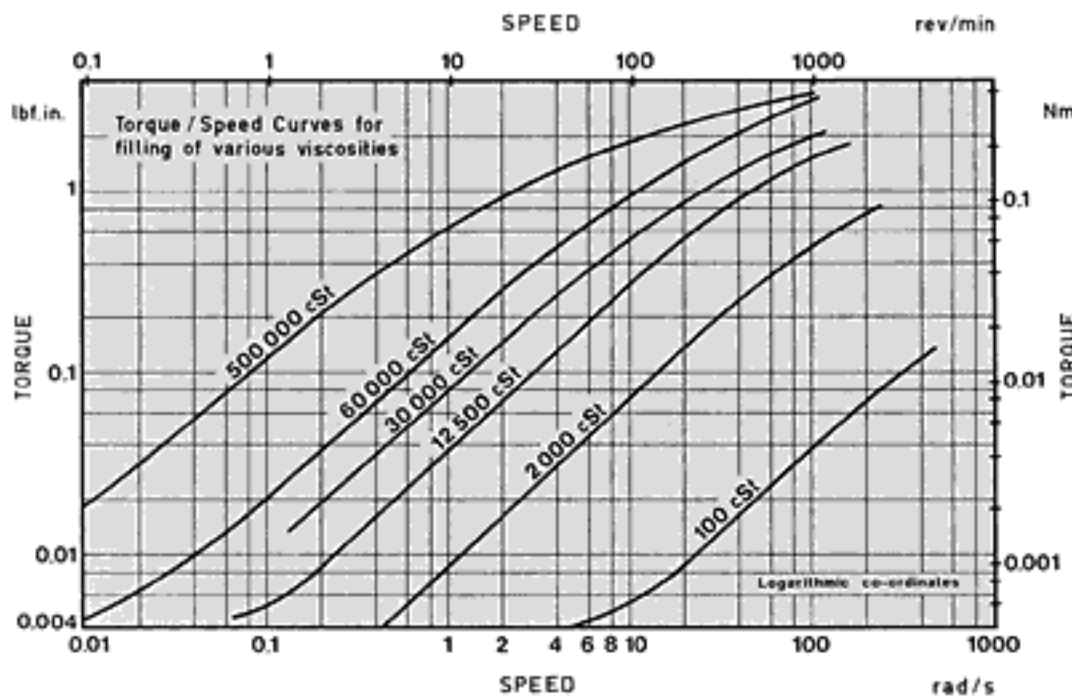


## APPLICATIONS

The N – CRD continuous rotation miniature dashpot is particularly suited to instrument and small precision machine applications. Pure viscous damping is produced by shear of a film of silicone fluid. The drum type rotor is supported at both ends by miniature ball races. Static friction is very low.

Dashpots can be supplied with various fixed rates which depend on the viscosity of the fluid filling. Viscosity should be specified when ordering to give the required characteristics. Performance curves for different viscosities are shown. Provision is made for temperature expansion of the fluid and no topping up is required during the life of the dashpot.

Typical applications include tension control for tape recorders, damping moving parts in small precision machines and detection of shaft rotation.



## VISCOSITIES AVAILABLE

100; 2,000; 5,000; 12,500; 30,000; 60,000; 500,000 cSt.

## ORDERING CODES

N – CRD – (Filling Viscosity)

Example: N – CRD – 60,000 has a 60,000 cSt filling.