

ASB 7/8" Bore SHOK BLOC®

INFORMATION FOR ASB SHOCKS

- 1, 2 AND 3" STROKE SIZES
- COMPACT, ONE PIECE BODY
- FIELD ADJUSTABLE
- INTERCHANGABLE WITH LOWER CAPACITY UNITS
- RUGGED, FEW MOVING PARTS
- OFF THE SHELF DELIVERY



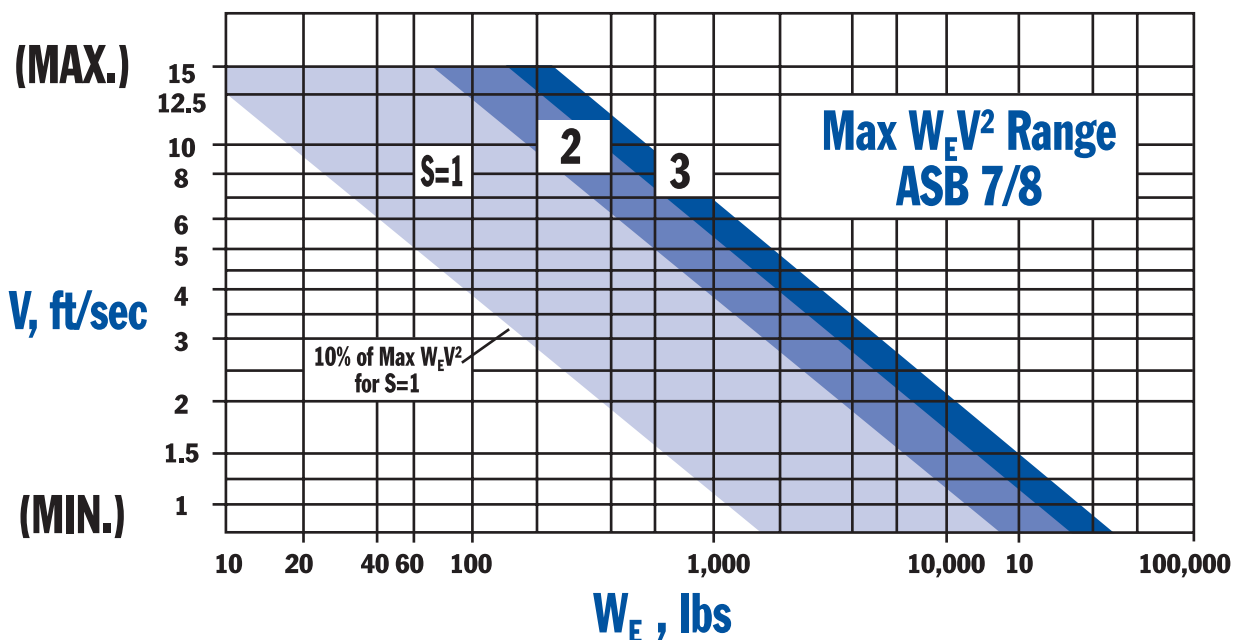
HOW TO ORDER ASB SHOCK-BLOCS

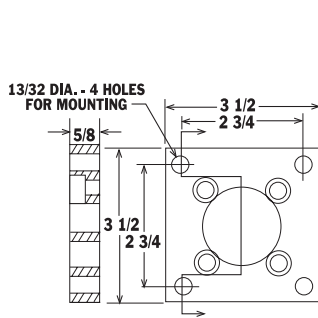
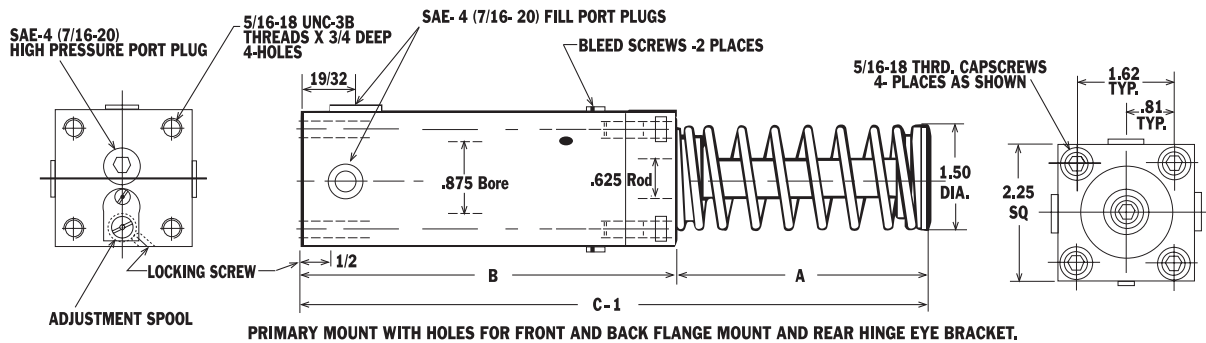
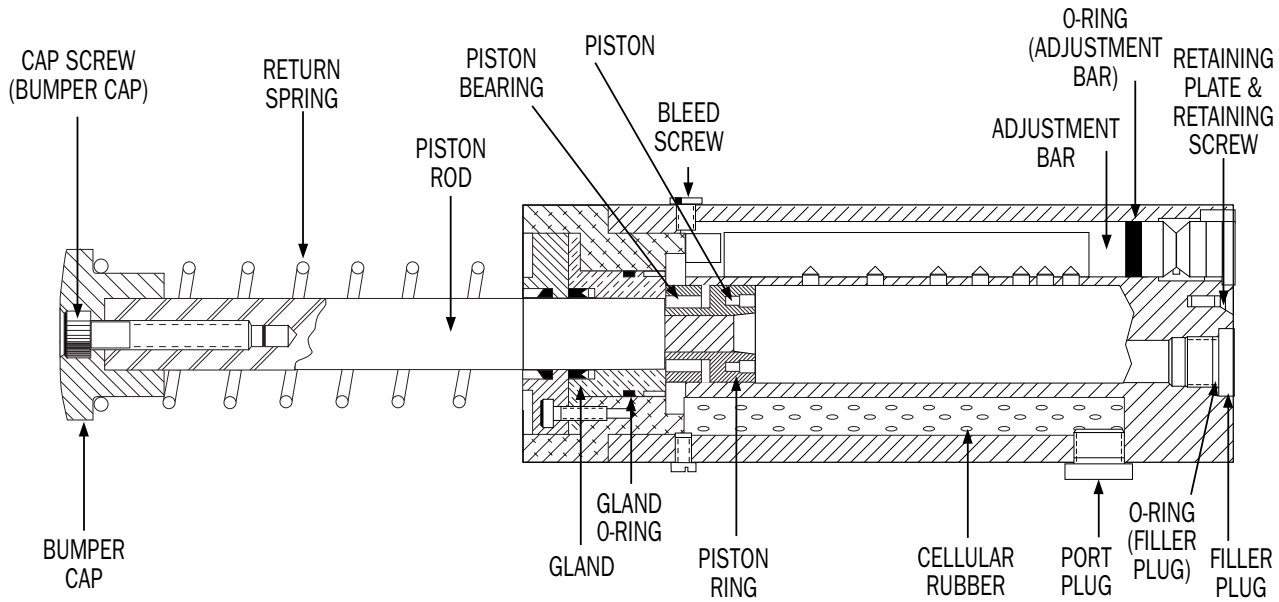
The model designation for ASB SHOK-BLOCS shock absorbers is a coded description of the unit defined as shown in this example.

ASB•7/8•1•PS•99

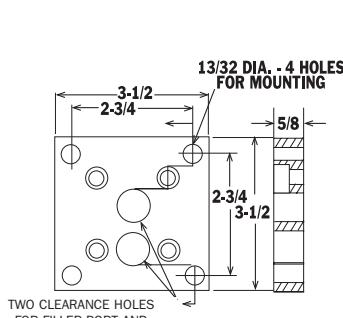
Adjustable Hydraulic SHOK BLOC	Nominal Bore Size	Stroke Length	Piston Rod Return Method S-Spring Return A-Air	All standard units include designation "99" to indicate they are not modified
Mounting Style • P-Primary • B-Sq. Back Flange • F-Sq. Front Flange • HR- Hinge-Rod Eye • HC-Hinge-Clevis • L-Lug Mount (Front & Rear)				

SIZE SELECTION GRAPH

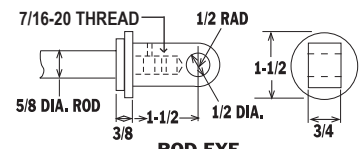




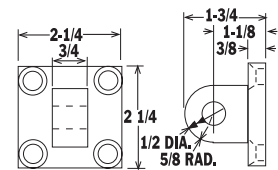
FRONT FLANGE MOUNT



REAR FLANGE MOUNT



ROD EYE



REAR HINGE EYE BRACKET

Stroke	*Maximum Working Capacity inch-pounds	**Heat Dissipation Capacity inch-pounds per minute
1	3,000	24,600
2	6,000	27,800
3	9,000	33,500

DIMENSIONS (INCHES)				
STROKE	A	B	C-1	C-2*
1	2 1/8	3 3/4	5 7/8	8 5/16
2	3 1/8	4 3/4	7 7/8	10 5/16
3	4 1/8	5 3/4	9 7/8	12 5/16

*Consult factory for optimum adjustability if unit selected will be used above 80% of its max. working capacity rating when impact velocities are 1.0 F.P.S. or less and under 60% of its max. working capacity rating when impact velocities are 15.0 F.P.S. or greater.

* Center line of Rod Eye Pin Hole to center of Rear Hinge Pin Hole when Piston rod is fully extended.

**Heat capacity ratings can be increased by using special fluid and seals and/or circulating hydraulic systems- consult factory.

ASB 1 1/8" Bore SHOK BLOC®

INFORMATION FOR ASB SHOCKS

- 1, 2 AND 3" STROKE SIZES
- COMPACT, ONE PIECE BODY
- FIELD ADJUSTABLE
- INTERCHANGABLE WITH LOWER CAPACITY UNITS
- RUGGED, FEW MOVING PARTS
- OFF THE SHELF DELIVERY

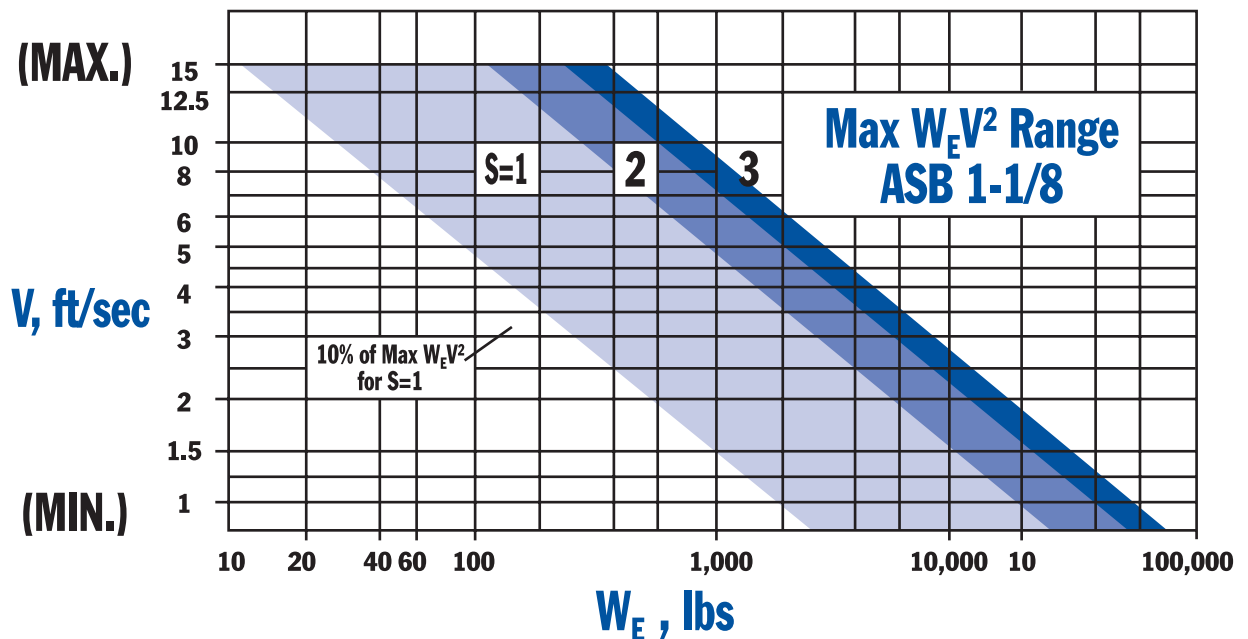


HOW TO ORDER ASB SHOCK-BLOCS
The model designation for ASB SHOK-BLOCS shock absorbers is a coded description of the unit defined as shown in this example.

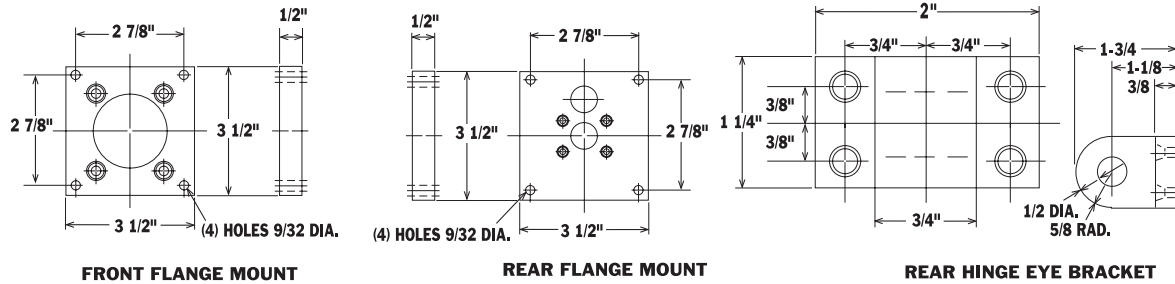
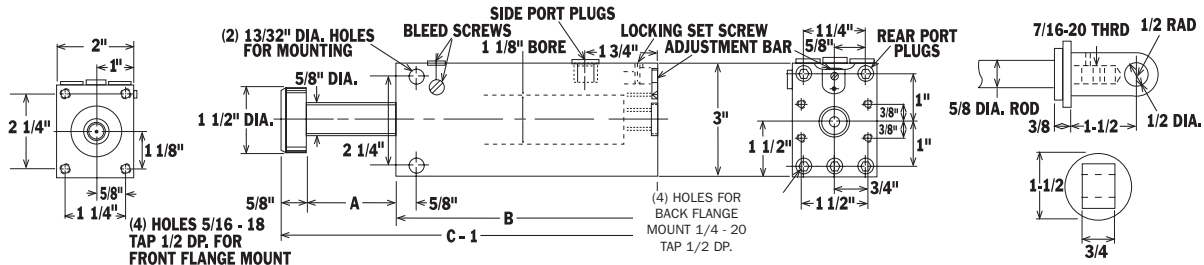
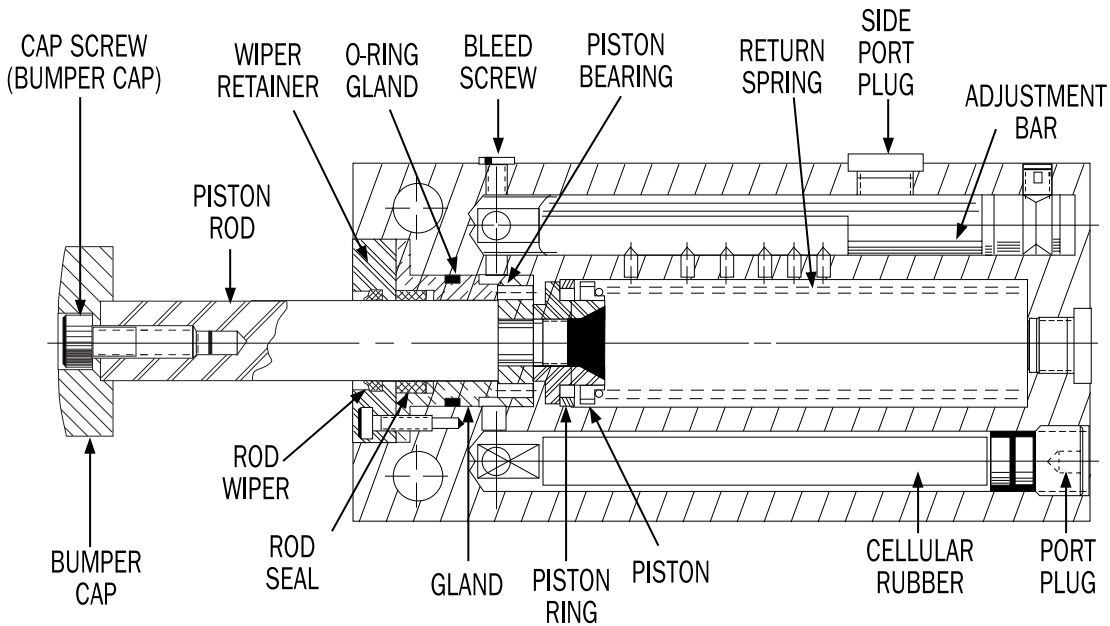
ASB•1•1•PS•99

Adjustable Hydraulic SHOK BLOC	Nominal Bore Size	Stroke Length	Piston Rod Return Method S-Spring Return A-Air	All standard units include designation "99" to indicate they are not modified
Mounting Style • P-Primary • B-Sq. Back Flange • F-Sq. Front Flange • HR- Hinge-Rod Eye • HC-Hinge-Clevis •				

SIZE SELECTION GRAPH



1 1/8" ASB



* This flange will be provided in 4 3/4" diameter round style until quantities are depleted

Stroke	*Maximum Working Capacity inch-pounds	**Heat Dissipation Capacity inch-pounds per minute
1	5,000	40,000
2	10,000	50,000
3	15,000	60,000

DIMENSIONS (INCHES)				
STROKE	A	B	C-1	C-2*
1	1 1/8	4 5/8	6 3/8	8 5/8
2	2 1/8	6 1/4	9	11 1/4
3	3 1/8	8	11 3/4	14

*Consult factory for optimum adjustability if unit selected will be used above 80% of its max. Working capacity rating when impact velocities are 1.0 F.P.S. or less and under 60% of its max. Working capacity rating when impact velocities are 15.0 F.P.S. or greater.

* Center line of Rod Eye Pin Hole to center of Rear Hinge Pin Hole when Piston rod is fully extended.

**Heat capacity ratings can be increased by using special fluid and seals and/or circulating hydraulic systems- consult factory.