

PathWay Model 7206 BNC Interface 10 -1 Switch, Remotely Controllable Desktop

• **Monitor 10 BNC Test Point Channels**

INTRODUCTION

The Model 7206 BNC Interface 10-1 Switch allows the user the capability of sharing a single BNC interface device connected to the Common port among 10 other devices connected to ports 1-10.

The switch may be controlled manually via a front panel pushbutton or remotely from an RS-232 serial port located on the rear of the unit.

Switch position status may be attained via the front panel LED display or the remote RS-232 serial port located on the rear of the unit.

FEATURES:

- The switch ports are transparent to all data.
- Center pin and shell of each BNC connector is switched.
- Switch position control via front panel pushbutton or Remote Control serial port.
- The unit maintains last set position on power loss and continues to pass data.
- Front panel LEDs display the switch position and power status.
- In-Line Series impedance 50 megohm
- Switching to 30 msec.
- Switch Cycles 1 x 10⁹, each port.
- Rugged aluminum package provides EMI/RFI shielding.



Model 7206

SPECIFICATIONS:

PORT CONNECTORS: (11) BNC (F) connectors labeled 1 thru 10 and COMMON.

FRONT PANEL CONTROL: (1) Manual pushbutton allows for local switching.

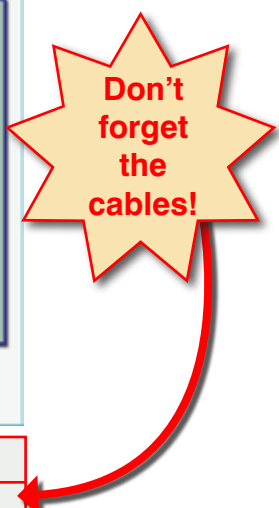
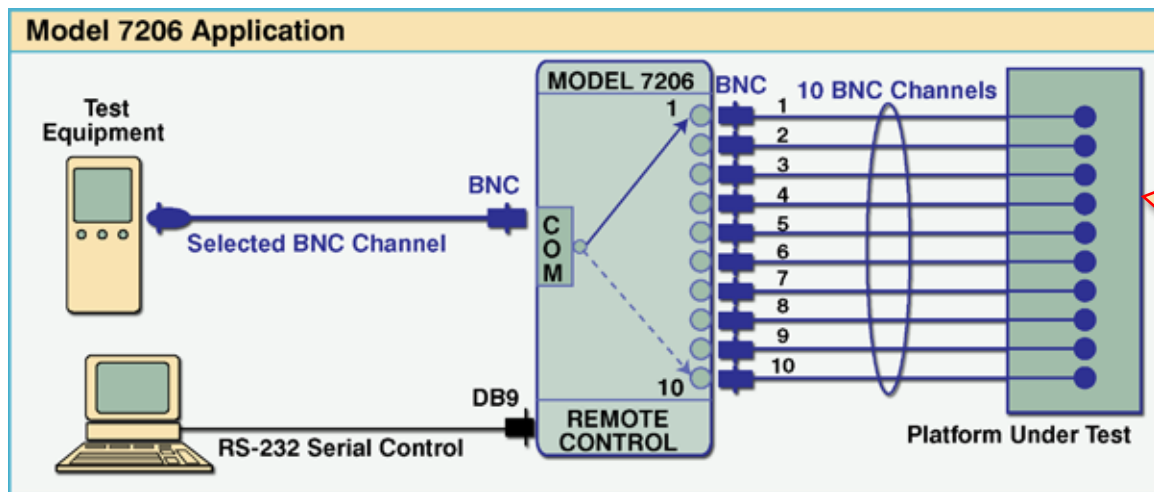
DISPLAY: (10) Front panel LED's display switch position and power status.

REMOTE CONTROL: (1) DB9(F) connector on rear panel accepts RS232 Serial Data for remote control operation.

POWER: UL approved 110 /120 VAC, 60 Hz wall mount power module supplies 12 VAC, 500mA to the unit.

DIMENSIONS: Desktop 13.0" W x 7.0" D x 2.0" H.

WEIGHT: Approximately 4.0 lbs



Suggested cables for use with Model 7206 Switch.

Part Number	Description	Unit Price
990136-006	RG58 Coaxial Cable, 50 ohm, 6 ft.	15.80
990136-010	RG58 Coaxial, 50 ohm, 10 ft.	17.00
890426-006	Thinnet RG58 Coaxial Cable, 50 ohm, 6 ft	16.80
890426-010	Thinnet RG58 Coaxial Cable, 50 ohm, 10 ft	18.00