

PathWay® Model 7286 DB25 Crossover Switch with Contact Control Remote Port

INTRODUCTION

The PathWay® Model 7286 DB25 Crossover Switch with Contact Control Remote Port supports connections between four devices or peripherals connected to ports A, B, C, and D, in two different switch positions: Normal and Crossover. The Model 7286 is compactly enclosed in a low profile, 19-inch 1U rack unit.

The switch may be controlled locally by manually operating the front panel push button or remotely from the DB9 Contact Control Remote port located on the rear of the unit. The front panel LED display indicates the switch position and unit power status.



FEATURES:

- Switch allows selection between Normal and Crossover position.
- Select switch position via front panel pushbutton or remotely via dry contact closure to REMOTE port.
- All (25) signals of the interface are switched.
- The ports are transparent to all data.
- Front panel LEDs display the current switch position and power status.
- Switch position may be remotely monitored.
- Remote contact closure allows for lockout of the front panel pushbutton.
- Custom length data cables available.

Specifications:

PORT CONNECTORS: (4) DB25(F) connectors labeled A, B, C, and D.

REMOTE CONTROL: (1) DB9(F) custom remote contact control port.

DISPLAY: (2) LED's labeled REMOTE and CROSSOVER front panel display indicate switch position and power status.

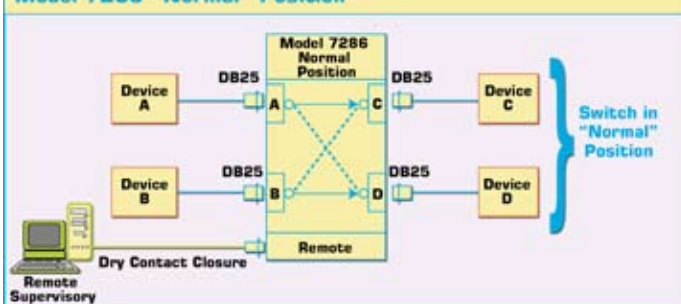
LOCAL CONTROL: (1) Front panel pushbutton allows local control of switch between NORMAL and CROSSOVER state.

POWER: Requires 12 VAC or 12 VDC, 1.0 Amp supplied to the 2-Pin Phoenix power connector (power supply not included with unit) Mating connector supplied.

DIMENSIONS: 19" W x 1.75" H x 8.0" D.

WEIGHT: 4.5 lbs.

Model 7286 "Normal" Position



Model 7286 "Crossover" Position

