

PathWay® Model 7462 8-Channel RJ45 A/B Switch

INTRODUCTION

The PathWay® Model 7462 8-Channel A/B RJ45 Switch allows the user the capability of sharing a device connected to the "COMMON" port among two other devices connected to the "A" and "B" ports for each channel. The Model 7462 dimensions are 19"W x 1.75"H x 10"D. It weighs approximately 4.5 lbs.

FEATURES

- Eight independent RJ45 A/B Switches in a slim 1U high rackmount package.
- All 8 pins of the RJ45 interfaces are switched.
- The switch ports are transparent to all data.
- Local individual channel control via 8 pushbuttons located on the front panel.
- Front panel LED's indicate each switch position and power status.
- All switched signals are passed via latching copper contact relays that maintain their position and continuity even in the event of a power loss.
- Custom length RJ45 cables available. See Catalog Numbers 990328 thru 990336.



Specifications:

PORT CONNECTORS: All (24) RJ45(F) ports are located on the rear panel. (8) "A" ports, (8) "B" ports, (8) "Common" ports.

FRONT PANEL CONTROLS: (8) Manual pushbuttons allow local switching.

DISPLAY: (16) Front panel LED's display switch position and power status.

POWER: UL Approved 120VAC, 60Hz wall mount power module supplies 12 VDC, 500 mA to the unit.

DIMENSIONS: 19" W x 1.75" H x 10.0" D.

WEIGHT: 4.5 lbs.

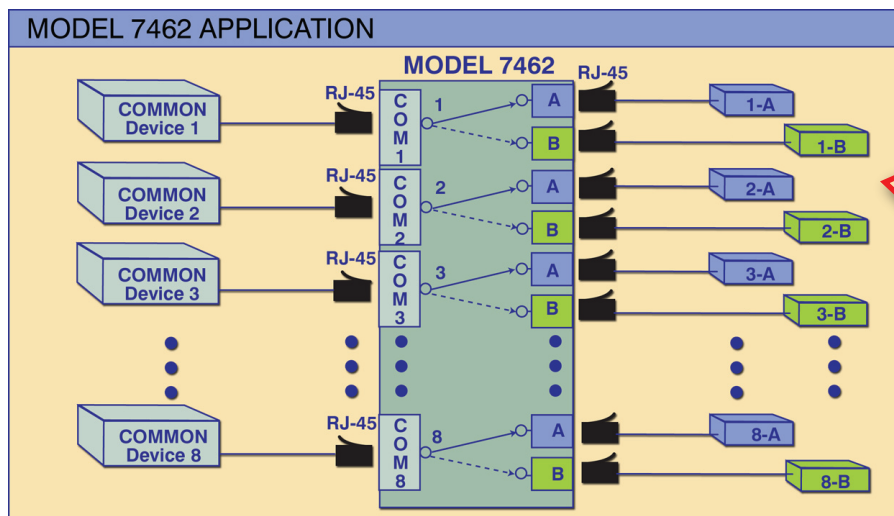
NEED REMOTE CONTROL?

For a similar switch, but with Remote Control added, see Model 7465, Cat. No. 307465.

OPTION: WIDE RANGE POWER MODULE

(Cat No 517277) CE and UL listed wall mount power module, 100VAC/240VAC, 50Hz/60Hz in place of standard 115VAC or 120VAC power module. Ideal for international applications.

MODEL 7462 APPLICATION



**Custom length
and color
CAT5 RJ45
cables available!**
See Cat. No.'s
990328 thru 990336