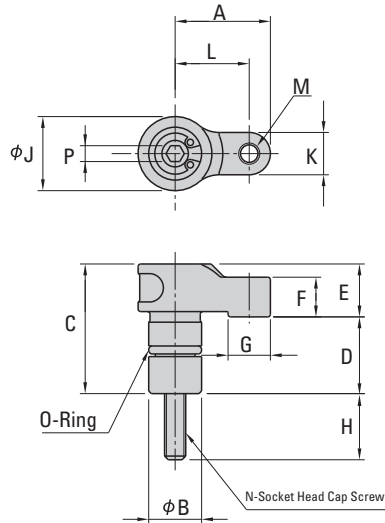
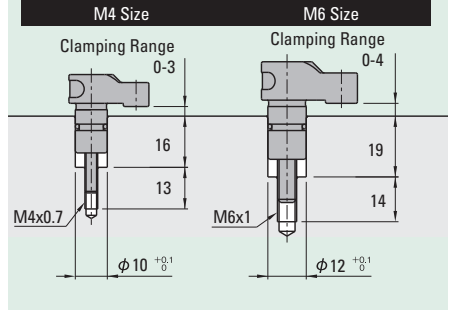


HOOK CLAMPS - COMPACT STYLE



How To Use

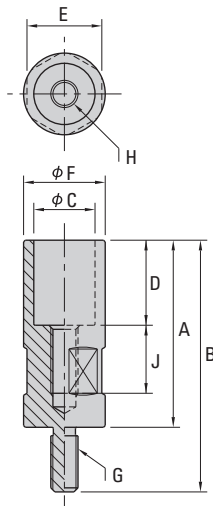


Part #	Clamping Force lbs.	Max Torque Ft/lbs.
BJ132-04018	450	2
BJ132-06022	787	5

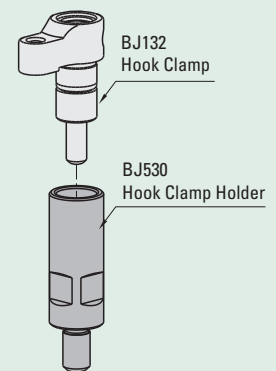
These hook clamps combine high clamping forces and compact design. They are ideal for applications where space is limited. Hook clamps are commonly used to hold down fixture and work pieces on a wide variety of machines. The clamp is actuated in both directions with the hex screw on top of the clamp to prevent galling of the work piece. The clamp arm can be swiveled out of the way for easy part insertion and removal. The arm is tapped for mounting a contact bolt. They can be mounted with the hook clamp holders shown below or installed in a custom block. Made from SAE-4140 alloy steel, heat treated with black oxide finish.

Part #	-0.02/-0.10													
	A mm	B mm	C mm	D mm	E mm	F mm	G mm	H mm	J mm	K mm	L mm	M mm	N mm	P mm
BJ132-04018	18	10	24.5	14.5	10	7.5	8	12.5	14	8	14	M4x0.7	M4x0.7 - 30L	3
BJ132-06022	22	12	30.5	17.5	13	9.5	10	13.5	16	10	17	M5x0.8	M6x1 - 35L	5

CYLINDRICAL HOOK CLAMP HOLDERS FOR COMPACT STYLE



How To Use



These cylindrical holders are designed for use with the compact hook clamps shown above. They provide additional clamping height as well as easy installation and operation of the hook clamps. Made from SAE-1045 alloy steel, heat treated with black oxide finish.

Part #	A	B	(F7) C	D	E	F	G	H	J
	mm	mm	mm	mm	mm	mm	mm	mm	mm
BJ530-04035	35	46	10	16	12	14	M6x1	M4x0.7	13
BJ530-06040	40	54	12	19	13	16	M8x1.25	M6x1	14

See page 377 for F7 tolerance specifications.