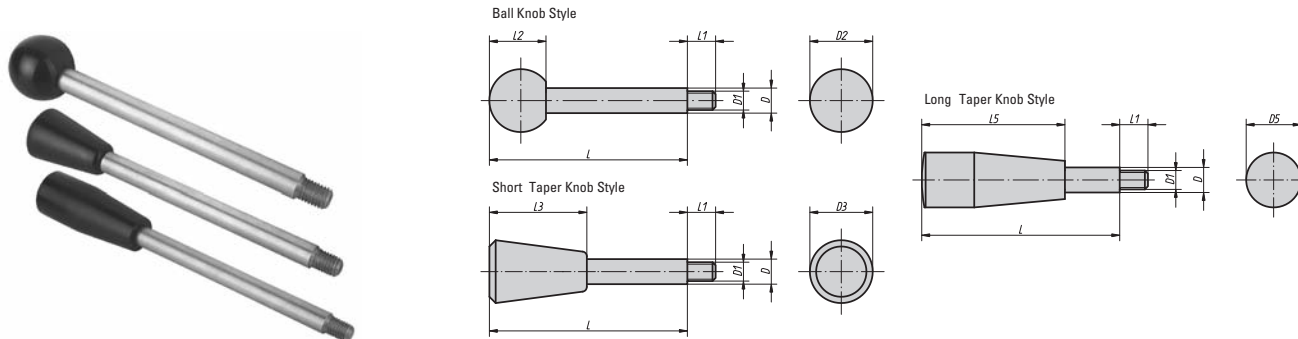


GEAR LEVERS

Steel and Stainless Steel | Inch and Metric



These gear levers have a wide variety of uses on machines, fixtures and other equipment. They provide good gripping and leverage for positioning, tightening, adjusting, etc. The steel shafts have a black oxide finish. The stainless shafts have a natural finish. The knob is made from black plastic.

Ball Knob Style

INCH

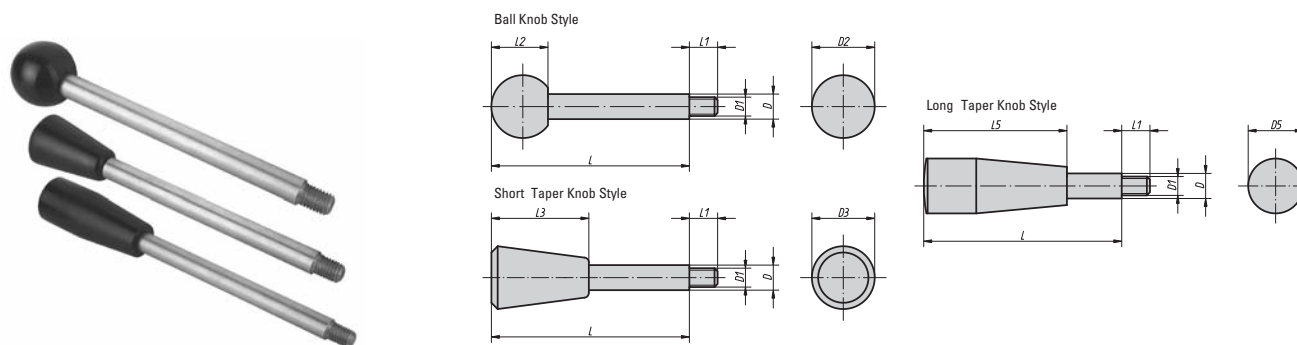
Part # Steel	Part # Stainless	D	D1	D2	L	L1	L2
06360-2A2X35	06360-12A2X35	.31	1/4-20	.79	1.38	.35	.71
06360-2A2X50	06360-12A2X50	.31	1/4-20	.79	1.97	.35	.71
06360-2A2X65	06360-12A2X65	.31	1/4-20	.79	2.56	.35	.71
06360-2A3X50	06360-12A3X50	.39	5/16-18	.98	1.97	.51	.89
06360-2A3X65	06360-12A3X65	.39	5/16-18	.98	2.56	.51	.89
06360-2A3X80	06360-12A3X80	.39	5/16-18	.98	3.15	.51	.89
06360-2A3X100	06360-12A3X100	.39	5/16-18	.98	3.94	.51	.89
06360-2A4X65	06360-12A4X65	.47	3/8-16	1.26	2.56	.59	1.14
06360-2A4X80	06360-12A4X80	.47	3/8-16	1.26	3.15	.59	1.14
06360-2A4X100	06360-12A4X100	.47	3/8-16	1.26	3.94	.59	1.14
06360-2A4X125	06360-12A4X125	.47	3/8-16	1.26	4.92	.59	1.14
06360-2A5X80	06360-12A5X80	.55	1/2-13	1.38	3.15	.63	1.28
06360-2A5X100	06360-12A5X100	.55	1/2-13	1.38	3.94	.63	1.28
06360-2A5X125	06360-12A5X125	.55	1/2-13	1.38	4.92	.63	1.28
06360-2A5X160	06360-12A5X160	.55	1/2-13	1.38	6.30	.63	1.28

METRIC

Part # Steel	Part # Stainless	D mm	D1 mm	D2 mm	L mm	L1 mm	L2 mm
06360-208X35	06360-1208X35	8	M6	20	35	9	18
06360-208X50	06360-1208X50	8	M6	20	50	9	18
06360-208X65	06360-1208X65	8	M6	20	65	9	18
06360-210X50	06360-1210X50	10	M8	25	50	13	22.5
06360-210X65	06360-1210X65	10	M8	25	65	13	22.5
06360-210X80	06360-1210X80	10	M8	25	80	13	22.5
06360-210X100	06360-1210X100	10	M8	25	100	13	22.5
06360-212X65	06360-1212X65	12	M10	32	65	15	29
06360-212X80	06360-1212X80	12	M10	32	80	15	29
06360-212X100	06360-1212X100	12	M10	32	100	15	29
06360-212X125	06360-1212X125	12	M10	32	125	15	29
06360-214X80	06360-1214X80	14	M12	35	80	16	32.5
06360-214X100	06360-1214X100	14	M12	35	100	16	32.5
06360-214X125	06360-1214X125	14	M12	35	125	16	32.5
06360-214X160	06360-1214X160	14	M12	35	160	16	32.5

GEAR LEVERS

Steel and Stainless Steel | Inch and Metric (continued)



Short Taper Knob Style

INCH

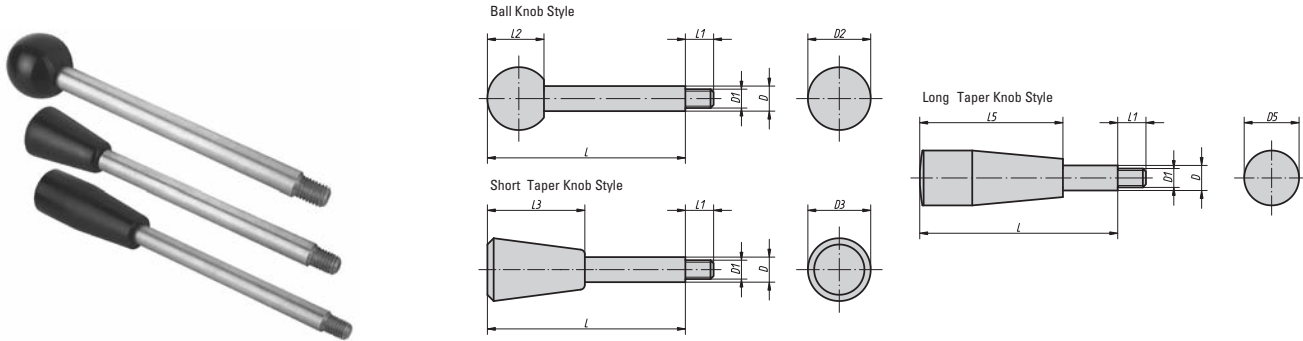
Part # Steel	Part # Stainless	D	D1	D3	L	L1	L3
06360-4A2X35	06360-14A2X35	.31	1/4-20	.79	1.38	.35	1.18
06360-4A2X50	06360-14A2X50	.31	1/4-20	.79	1.97	.35	1.18
06360-4A2X65	06360-14A2X65	.31	1/4-20	.79	2.56	.35	1.18
06360-4A3X50	06360-14A3X50	.39	5/16-18	.98	1.97	.51	1.50
06360-4A3X65	06360-14A3X65	.39	5/16-18	.98	2.56	.51	1.50
06360-4A3X80	06360-14A3X80	.39	5/16-18	.98	3.15	.51	1.50
06360-4A3X100	06360-14A3X100	.39	5/16-18	.98	3.94	.51	1.50
06360-4A4X65	06360-14A4X65	.47	3/8-16	1.18	2.56	.59	1.81
06360-4A4X80	06360-14A4X80	.47	3/8-16	1.18	3.15	.59	1.81
06360-4A4X100	06360-14A4X100	.47	3/8-16	1.18	3.94	.59	1.81
06360-4A4X125	06360-14A4X125	.47	3/8-16	1.18	4.92	.59	1.81
06360-4A5X80	06360-14A5X80	.55	1/2-13	1.38	3.15	.63	2.09
06360-4A5X100	06360-14A5X100	.55	1/2-13	1.38	3.94	.63	2.09
06360-4A5X125	06360-14A5X125	.55	1/2-13	1.38	4.92	.63	2.09
06360-4A5X160	06360-14A5X160	.55	1/2-13	1.38	6.30	.63	2.09

METRIC

Part # Steel	Part # Stainless	D mm	D1 mm	D3 mm	L mm	L1 mm	L3 mm
06360-408X35	06360-1408X35	8	M6	20	35	9	30
06360-408X50	06360-1408X50	8	M6	20	50	9	30
06360-408X65	06360-1408X65	8	M6	20	65	9	30
06360-410X50	06360-1410X50	10	M8	25	50	13	38
06360-410X65	06360-1410X65	10	M8	25	65	13	38
06360-410X80	06360-1410X80	10	M8	25	80	13	38
06360-410X100	06360-1410X100	10	M8	25	100	13	38
06360-412X65	06360-1412X65	12	M10	30	65	15	46
06360-412X80	06360-1412X80	12	M10	30	80	15	46
06360-412X100	06360-1412X100	12	M10	30	100	15	46
06360-412X125	06360-1412X125	12	M10	30	125	15	46
06360-414X80	06360-1414X80	14	M12	35	80	16	53
06360-414X100	06360-1414X100	14	M12	35	100	16	53
06360-414X125	06360-1414X125	14	M12	35	125	16	53
06360-414X160	06360-1414X160	14	M12	35	160	16	53

GEAR LEVERS

Steel and Stainless Steel | Inch and Metric (continued)



Long Taper Knob Style

INCH

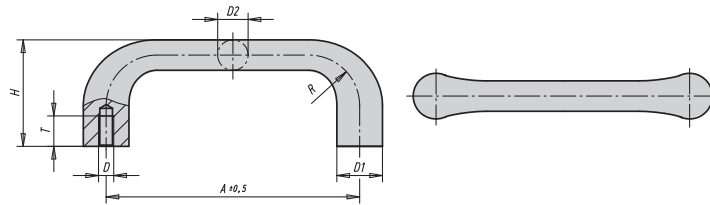
Part # Steel	Part # Stainless	D	D1	D5	L	L1	L5
06360-6A2X35	06360-16A2X35	.31	1/4-20	.67	1.38	.35	1.77
06360-6A2X50	06360-16A2X50	.31	1/4-20	.67	1.97	.35	1.77
06360-6A2X65	06360-16A2X65	.31	1/4-20	.67	2.56	.35	1.77
06360-6A3X50	06360-16A3X50	.39	5/16-18	.91	1.97	.51	2.36
06360-6A3X65	06360-16A3X65	.39	5/16-18	.91	2.56	.51	2.36
06360-6A3X80	06360-16A3X80	.39	5/16-18	.91	3.15	.51	2.36
06360-6A3X100	06360-16A3X100	.39	5/16-18	.91	3.94	.51	2.36
06360-6A4X65	06360-16A4X65	.47	3/8-16	1.10	2.56	.59	2.76
06360-6A4X80	06360-16A4X80	.47	3/8-16	1.10	3.15	.59	2.76
06360-6A4X100	06360-16A4X100	.47	3/8-16	1.10	3.94	.59	2.76
06360-6A4X125	06360-16A4X125	.47	3/8-16	1.10	4.92	.59	2.76
06360-6A5X80	06360-16A5X80	.55	1/2-13	1.10	3.15	.63	2.76
06360-6A5X100	06360-16A5X100	.55	1/2-13	1.10	3.94	.63	2.76
06360-6A5X125	06360-16A5X125	.55	1/2-13	1.10	4.92	.63	2.76
06360-6A5X160	06360-16A5X160	.55	1/2-13	1.10	6.30	.63	2.76

METRIC

Part # Steel	Part # Stainless	D mm	D1 mm	D5 mm	L mm	L1 mm	L5 mm
06360-608X35	06360-1608X35	8	M6	17	35	9	45
06360-608X50	06360-1608X50	8	M6	17	50	9	45
06360-608X65	06360-1608X65	8	M6	17	65	9	45
06360-610X50	06360-1610X50	10	M8	23	50	13	60
06360-610X65	06360-1610X65	10	M8	23	65	13	60
06360-610X80	06360-1610X80	10	M8	23	80	13	60
06360-610X100	06360-1610X100	10	M8	23	100	13	60
06360-612X65	06360-1612X65	12	M10	28	65	15	70
06360-612X80	06360-1612X80	12	M10	28	80	15	70
06360-612X100	06360-1612X100	12	M10	28	100	15	70
06360-612X125	06360-1612X125	12	M10	28	125	15	70
06360-614X80	06360-1614X80	14	M12	28	80	16	70
06360-614X100	06360-1614X100	14	M12	28	100	16	70
06360-614X125	06360-1614X125	14	M12	28	125	16	70
06360-614X160	06360-1614X160	14	M12	28	160	16	70

STIRRUP-SHAPED PULL HANDLES

Cast Iron | Metric

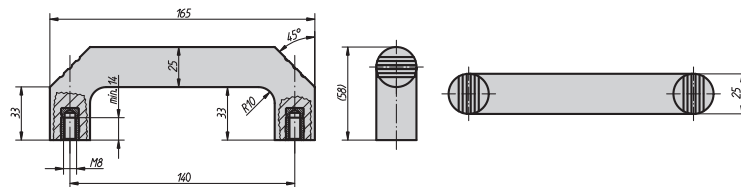


Made from cast iron. Available in natural tumbled finish or black powder coating.

METRIC

Part # Tumbled	Part # Black	A mm	D mm	D1 mm	D2 mm	H mm	R mm	T mm	Max Load N
06895-10006	06895-100061	100	M6	18	12	42	20	12	1000
06895-11208	06895-112081	112	M8	20	14	47	22	15	1000
06895-12510	06895-125101	125	M10	22	16	53	24	18	1000
06895-14012	06895-140121	140	M12	25	18	59	26	20	1000

Plastic | Brass and Steel Bushings | Metric



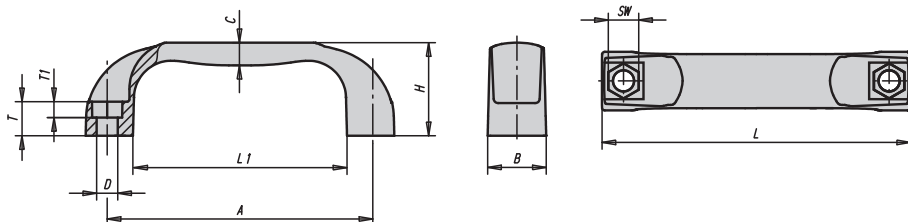
Made from black duroplast plastic. High polish finish. Bushings in brass or galvanized steel.

METRIC

Part #	Bushing Type
06901-114008	Brass
06901-214008	Steel

STIRRUP-SHAPED PULL HANDLES

Thermoplastic | Metric



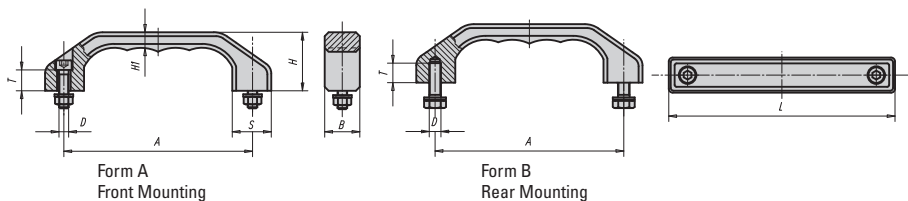
Made from anthracite grey thermoplastic. The fastening holes are designed so the handles can be secured from the top side with socket head screw or with a hex nut.

METRIC

Part #	+/-0.5 A mm	B mm	C mm	D mm	H mm	L mm	L1 mm	T mm	T1 mm	SW mm	Max Load N
06903-109406	94	21	8	6.6	36	109	76	13	6	10	1000
06903-111708	117	26	10	9	41	136	94	15	8	13	1500
06903-113208	132	27	11	9	44	154	112	16	8	13	1500
06903-117908*	179	28	11	9	50	197	156	17	8	13	1500

* A tolerance is +/-1.0

Stainless Steel | Metric



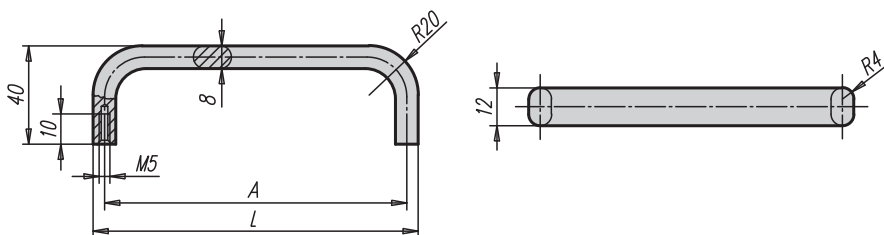
Made from precision cast stainless steel. Blasted and electro-polished with matte gloss finish. Front or rear mounting styles.

METRIC

Part # Form A	Part # Form B	A mm	B mm	Form A D mm	Form B D mm	H mm	H1 mm	L mm	S mm	T mm	Max Load N
06914-140081	06914-140082	140	25	M8 x 30	M8 x 18	45	12	170	28	15	1000
06914-180101	06914-180102	180	32	M10 x 40	M10 x 20	58	15	218	36	18	1000

STIRRUP-SHAPED PULL HANDLES

Aluminum | Metric

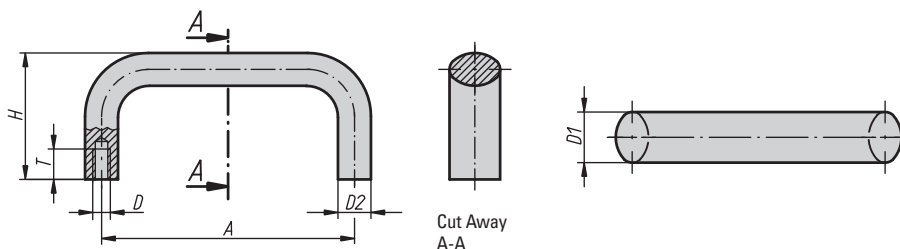


Made from aluminum with matte finish. Available with either natural or black anodized finish.

METRIC

Part # Black	Part # Natural	A mm	L mm	Max Load N
06918-055051	06918-055053	55	63	500
06918-088051	06918-088053	88	96	500
06918-100051	06918-100053	100	108	500
06918-120051	06918-120053	120	128	500
06918-180051	06918-180053	180	188	500
06918-200051	06918-200053	200	208	500
06918-235051	06918-235053	235	243	500
06918-250051	06918-250053	250	258	500

Aluminum | Metric



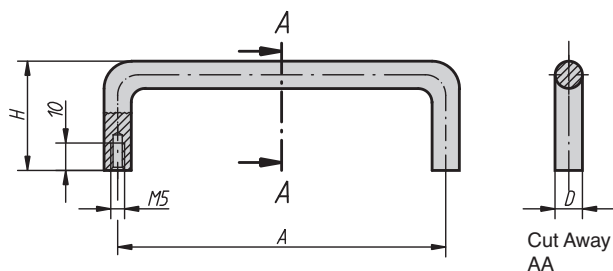
Made from aluminum with matte finish. Available with either natural anodized or black powder coat finish.

METRIC

Part # Black	Part # Natural	A mm	D mm	D1 mm	D2 mm	H mm	T mm	Max Load N
06920-10001	06920-10003	100	M6	20	13	50	12	1000
06920-11201	06920-11203	112	M6	20	13	50	12	1000
06920-12001	06920-12003	120	M6	20	13	50	12	1000
06920-12801	06920-12803	128	M6	20	13	50	12	1000
06920-1600106	06920-1600306	160	M6	20	13	50	12	1000
06920-1120108	06920-1120308	112	M8	26	17	55	14	1000
06920-1200108	06920-1200308	120	M8	26	17	55	14	1000
06920-1280108	06920-1280308	128	M8	26	17	55	14	1000
06920-16001	06920-16003	160	M8	26	17	55	14	1000
06920-18001	06920-18003	180	M8	26	17	55	14	1000
06920-19201	06920-19203	192	M8	26	17	55	14	1000
06920-35001	06920-35003	350	M8	26	17	55	14	1000

STIRRUP-SHAPED PULL HANDLES

Stainless Steel | Metric

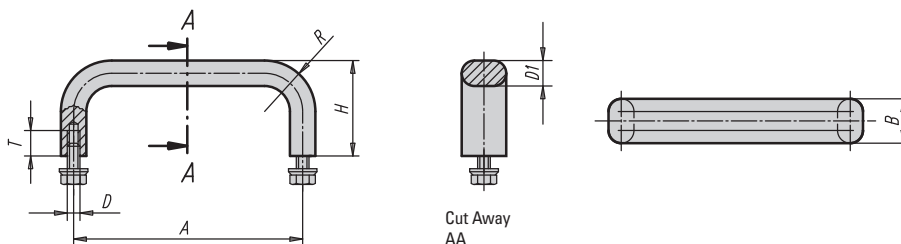


Made from stainless steel with an electrolytic-polish finish. Ideal for food or medical applications.

METRIC

Part #	A mm	D mm	H mm	Max Load N
06922-100	100	8	35	1000
06922-120	120	10	40	1000
06922-250	250	10	40	1000
06922-350	350	10	40	1000

Stainless Steel | Metric



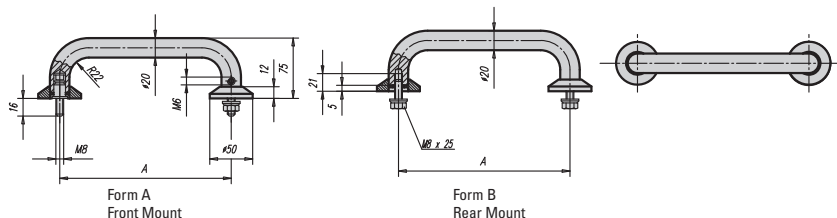
Made from stainless steel with semi-matte finish. Back side mounting. Stainless mounting hardware included.

METRIC

Part #	A mm	B mm	D mm	D1 mm	H mm	R mm	T mm	Max Load N
06924-10005	100	12	M5 x 10	8	40	22	10	1000
06924-12005	120	12	M5 x 10	8	40	22	10	1000
06924-15005	150	12	M5 x 10	8	40	22	10	1000
06924-18005	180	12	M5 x 10	8	40	22	10	1000
06924-25005	250	12	M5 x 10	8	40	22	10	1000
06924-10006	100	19.5	M6 x 12	10	45	24	12	1000
06924-12006	120	19.5	M6 x 12	10	45	24	12	1000
06924-15006	150	19.5	M6 x 12	10	45	24	12	1000
06924-18006	180	19.5	M6 x 12	10	45	24	12	1000
06924-25006	250	19.5	M6 x 12	10	45	24	12	1000

STIRRUP-SHAPED PULL HANDLES

Stainless Steel | Metric



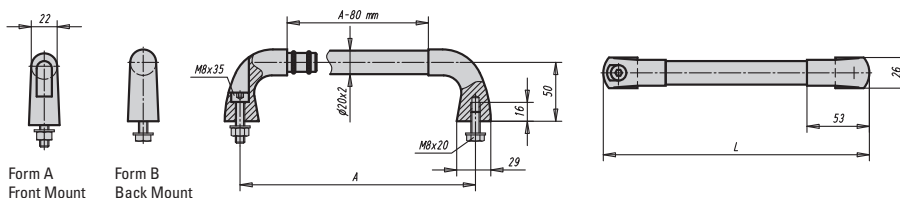
Made from stainless steel with matte-polish brush finish. Flange provides finished look. Front or back side mounting. Stainless mounting hardware included.

METRIC

Part # Form A	Part # Form B	A mm	Max Load N
06931-2001	06931-2002	200	1000
06931-2501	06931-2502	250	1000

TUBE PULL HANDLES

Stainless Steel | Metric



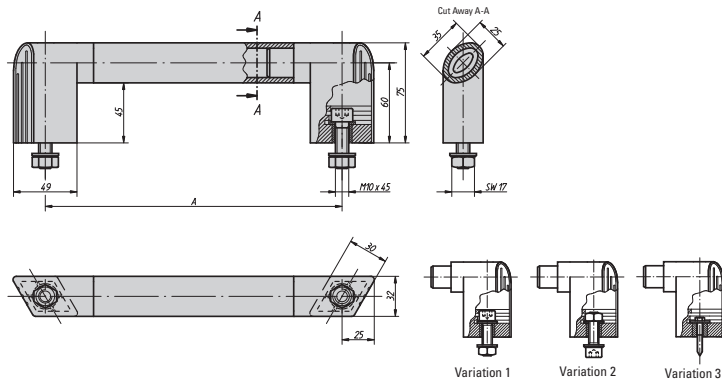
The connecting tubes and mounting hardware are made from stainless steel. The connecting tube is available with ground finish or with a plastic cover. The mounting legs have a matte-finish. Front or back mounting options available. Hardware included.

METRIC

Part # Form A Uncovered	Part # Form A Plastic Cover	Part # Form B Uncovered	Part # Form B Plastic Cover	A mm	L mm	Max Load N
06943-200081	06943-200082	06943-200083	06943-200084	200	226	1000
06943-300081	06943-300082	06943-300083	06943-300084	300	326	1000
06943-400081	06943-400082	06943-400083	06943-400084	400	426	1000

BIG HAND TUBE PULL HANDLES

Aluminum | Metric



Durable and attractive appearance. The corner covers are made from grey thermoplastic. The oval tube is aluminum and available either coated or anodized. The corner covers are supplied unassembled. M10 bolts supplied with variations 1 and 2. 5mm wood screws, dowels, drill template and assembly tool are supplied with variation 3. Available in dark grey, ruby red, raspberry red and ocean blue coating. The black and natural colors are anodized. See www.fixtureworks.net for colors.

METRIC

Grey Variations 1 & 2	Grey Variation 3	Black Variations 1 & 2	Black Variation 3	Natural Variations 1 & 2	Natural Variation 3	A mm
06948-1180	06948-118011	06948-118001	06948-11801101	06948-118003	06948-11801103	180
06948-1200	06948-120011	06948-120001	06948-12001101	06948-120003	06948-12001103	200
06948-1250	06948-125011	06948-125001	06948-12501101	06948-125003	06948-12501103	250
06948-1300	06948-130011	06948-130001	06948-13001101	06948-130003	06948-13001103	300
06948-1350	06948-135011	06948-135001	06948-13501101	06948-135003	06948-13501103	350
06948-1400	06948-140011	06948-140001	06948-14001101	06948-140003	06948-14001103	400
06948-1500	06948-150011	06948-150001	06948-15001101	06948-150003	06948-15001103	500
06948-1600	06948-160011	06948-160001	06948-16001101	06948-160003	06948-16001103	600

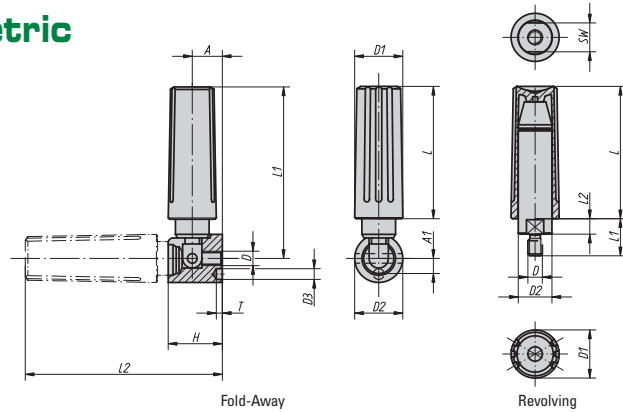
Ruby Variations 1 & 2	Ruby Variation 3	Raspberry Variations 1 & 2	Raspberry Variation 3	Blue Variations 1 & 2	Blue Variation 3	A mm
06948-118027	06948-11801127	06948-118070	06948-11801170	06948-118073	06948-11801173	180
06948-120027	06948-12001127	06948-120070	06948-12001170	06948-120073	06948-12001173	200
06948-125027	06948-12501127	06948-125070	06948-12501170	06948-125073	06948-12501173	250
06948-130027	06948-13001127	06948-130070	06948-13001170	06948-130073	06948-13001173	300
06948-135027	06948-13501127	06948-135070	06948-13501170	06948-135073	06948-13501173	350
06948-140027	06948-14001127	06948-140070	06948-14001170	06948-140073	06948-14001173	400
06948-150027	06948-15001127	06948-150070	06948-15001170	06948-150073	06948-15001173	500
06948-160027	06948-16001127	06948-160070	06948-16001170	06948-160073	06948-16001173	600

REVOLVING AND FOLD-AWAY HANDLES

Plastic | Steel Inserts | Inch and Metric



NOVO-GRIP by Kipp



Firm sure ergonomic gripping with an attractive appearance. Made from dark grey thermoplastic. Steel parts have black oxide finish.

INCH

Part # Revolving	D	D1	D2	L	L1	L2	SW
06325-1AE	8-32	.51	.35	1.38	.43	.20	.31
06325-2A1	10-32	.63	.43	1.73	.51	.22	.39
06325-3A2	1/4-20	.79	.55	2.17	.55	.20	.47
06325-4A3	5/16-18	.98	.71	2.78	.98	.51	.59

Part # Fold-Away	D	D1	D2	D3	A	A1	H	L	L1	L2	T
06326-1AE	8-32	.51	.51	.10	.31	.17	.57	1.38	1.85	2.15	.18
06326-2A1	10-32	.63	.63	.14	.39	.21	.71	1.73	2.28	2.64	.18
06326-3A2	1/4-20	.79	.79	.18	.49	.26	.89	2.17	2.81	3.23	.24
06326-4A3	5/16-18	.98	1.02	.22	.63	.35	1.14	2.78	3.88	4.43	.26

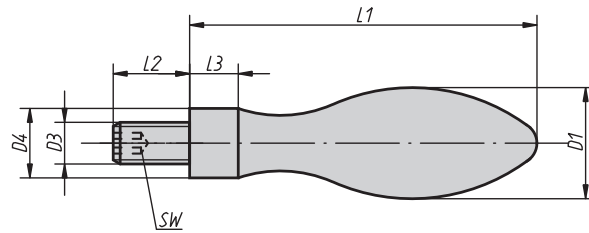
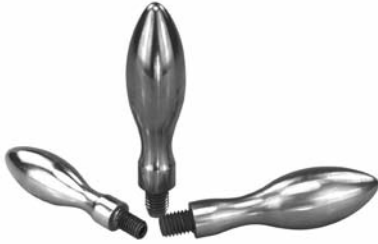
METRIC

Part # Revolving	D mm	D1 mm	D2 mm	L mm	L1 mm	L2 mm	SW mm
06325-104	M4	13	9	35	11	5	8
06325-205	M5	16	11	44	13	5.5	10
06325-306	M6	20	14	55	14	5	12
06325-408	M8	25	18	70.5	25	13	15

Part # Fold-Away	D mm	D1 mm	D2 mm	D3 mm	A mm	A1 mm	H mm	L mm	L1 mm	L2 mm	T mm
06326-104	M4	13	13	2.5	8	4.3	14.5	35	47	54.5	4.5
06326-205	M5	16	16	3.5	10	5.3	18	44	58	67	4.5
06326-306	M6	20	20	4.5	12.5	6.5	22.5	55	71.5	82	6
06326-408	M8	25	26	5.5	16	9	29	70.5	98.5	112.5	6.5

MACHINE HANDLES

Steel and Aluminum | Fixed | Metric

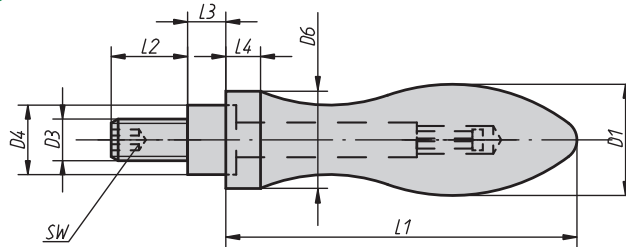


Machined in either steel or aluminum. Polished finish.

METRIC

Part # Steel	Part # Aluminum	D1 mm	D3 mm	D4 mm	L1 mm	L2 mm	L3 mm	SW mm
06291-0616050	06292-0616050	16	M6	10	50	11	7	3
06291-0820064	06292-0820064	20	M8	13	64	13	8	4
06291-1025080	06292-1025080	25	M10	16	80	14	10	5
06291-1232100	06292-1232100	32	M12	20	100	21	13	6
06291-1636112	06292-1636112	36	M16	22	112	26	14	8

Steel and Aluminum | Revolving | Metric

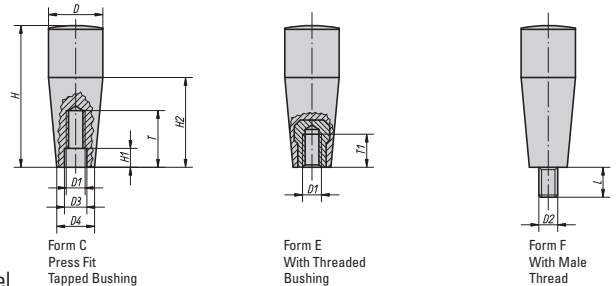


Machined in either steel or aluminum. Polished finish.

METRIC

Part # Steel	Part # Aluminum	D1 mm	D3 mm	D4 mm	D6 mm	L1 mm	L2 mm	L3 mm	L4 mm	SW mm
06308-0616055	06309-0616055	16	M6	10	14	49	11	5.5	5	3
06308-0820067	06309-0820067	20	M8	13	18	61	13	6	6	4
06308-1025083	06309-1025083	25	M10	16	21	75	14	8	6.5	5
06308-1232105	06309-1232105	32	M12	20	26	95	21	10.5	8	6
06308-1636117	06309-1636117	36	M16	22	29	106	26	11	9	8

Plastic | Fixed | Press Fit, Female and Male Threads | Metric



Made from black duroplast plastic. High polish finish. The collar and threads are galvanized steel.

METRIC

Part # Form C	Part # Form E	Part # Form F	D mm	D1 mm	D2 mm	D3 mm	D4 mm	H mm	H1 mm	H2 mm	T mm	T1 mm	L mm
—	06320-205**	—	17	M5	—	—	15	45	—	26	—	10	—
06320-106	06320-206**	06320-306	17	M6	M6	6.2	15	45	2	26	14	9	18
06320-108	—	—	17	M8	—	8.2	13	45	2	26	16	—	—
06320-1081	06320-208*	06320-308	23	M8	M8	8.5	18	60	8	38	24	14	12
—	06320-2081*	—	28	M8	—	—	21	70	—	42	—	14	—
06320-110	—	06320-310	29	M10	M10	10.5	21	70	10	42	28	—	20

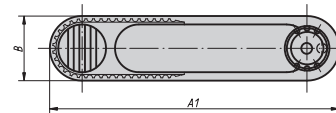
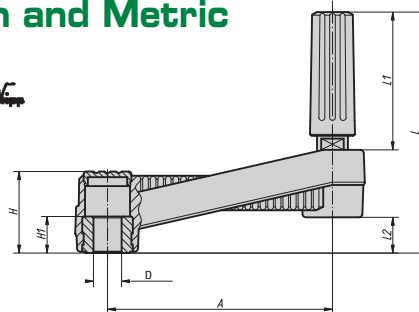
* Bushing is copper plated steel. ** Bushing is brass

CRANK HANDLES

Plastic | Revolving Handle | Inch and Metric



Novo-GRIP by



Made from dark grey thermoplastic. Steel parts are black oxidized. Hub cover is supplied to conceal shaft mounting.

INCH

Part #	A	A1	B	D	H	H1	L	L1	L2
06500-31CO	3.15	4.09	.94	.375	1.14	.51	3.37	1.93	.51
06500-32CO	3.94	5.08	1.14	.375	1.42	.51	4.13	2.34	.63
06500-32CP	3.94	5.08	1.14	.500	1.42	.51	4.13	2.34	.63
06500-33CP	4.92	6.34	1.42	.500	1.73	.73	5.51	3.29	.77

METRIC

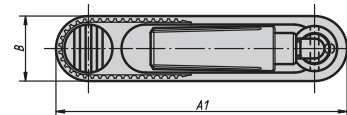
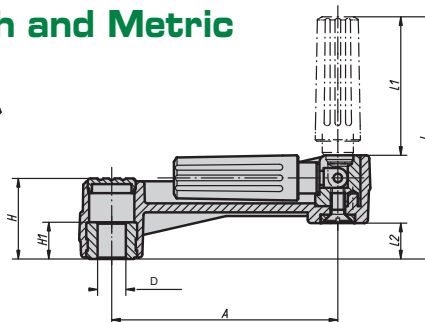
Part #	A mm	A1 mm	B mm	D mm	H mm	H1 mm	L mm	L1 mm	L2 mm
06500-3108	80	104	24	8	29	13	85.5	49	13
06500-3210	100	129	29	10	36	13	105	59.5	16
06500-3212	100	129	29	12	36	13	105	59.5	16
06500-3312	125	161	36	12	44	18.5	140	83.5	19.5

CRANK HANDLES

Plastic | Fold-Away Handle | Inch and Metric



Novo-GRIP by



Made from dark grey thermoplastic. Steel parts are black oxidized. Hub cover is supplied to conceal shaft mounting.

INCH

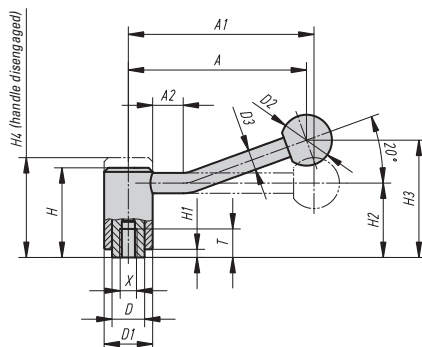
Part #	A	A1	B	D	H	H1	L	L1	L2
06500-11CO	3.15	4.09	.94	.375	1.14	.51	3.37	1.93	.51
06500-12CO	3.94	5.08	1.14	.375	1.42	.51	4.13	2.34	.63
06500-12CP	3.94	5.08	1.14	.500	1.42	.51	4.13	2.34	.63
06500-13CP	4.92	6.34	1.42	.500	1.73	.73	5.51	3.29	.77

METRIC

Part #	A mm	A1 mm	B mm	D mm	H mm	H1 mm	L mm	L1 mm	L2 mm
06500-1108	80	104	24	8	29	13	85.5	49	13
06500-1210	100	129	29	10	36	13	105	59.5	16
06500-1212	100	129	29	12	36	13	105	59.5	16
06500-1312	125	161	36	12	44	18.5	140	83.5	19.5

ADJUSTABLE TENSION LEVERS

Steel | Female Threads | Flat and Angled | Inch and Metric



Pulling up on the handle disengages it from the spline and allows it to rotate freely for adjustment. Releasing the handle engages it for tightening or adjusting. They are made from steel with black powder coat finish. Knob is plastic.

INCH

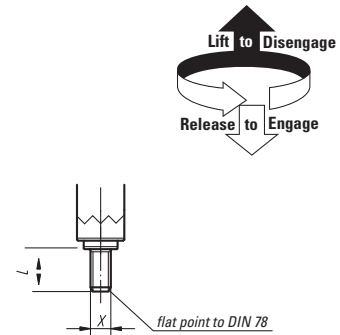
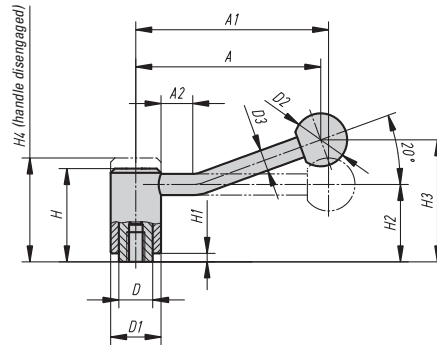
Part # Flat	Part # Angled	X Thread	T	D	D1	D2	D3	H	H1	H2	H3	H4	A	A1	A2	No. Of Teeth
06370-1A32	06370-1A31	5/16-18	.55	.63	.94	.98	.39	1.75	.18	1.46	2.30	1.95	3.46	3.62	.59	22
06370-1A42	06370-1A41	3/8-16	.55	.63	.94	.98	.39	1.75	.18	1.46	2.30	1.95	3.46	3.62	.59	22
06370-2A42	06370-2A41	3/8-16	.67	.75	1.10	1.26	.47	2.03	.22	1.65	2.70	2.26	4.17	4.37	.59	24
06370-2A52	06370-2A51	1/2-13	.67	.75	1.10	1.26	.47	2.03	.22	1.65	2.70	2.26	4.17	4.37	.59	24
06370-3A52	06370-3A51	1/2-13	.91	.91	1.30	1.26	.51	2.28	.24	1.85	3.19	2.56	5.06	5.30	.59	26
06370-3A62	06370-3A61	5/8-11	.91	.91	1.30	1.26	.51	2.28	.24	1.85	3.19	2.56	5.06	5.30	.59	26
06370-4A62	06370-4A61	5/8-11	1.06	1.18	1.61	1.26	.51	2.70	.30	2.20	3.52	3.01	5.06	5.28	.59	36
06370-4A72	06370-4A71	3/4-10	1.06	1.18	1.61	1.26	.51	2.70	.30	2.20	3.52	3.01	5.06	5.28	.59	36

METRIC

Part # Flat	Part # Angled	X Thread	T mm	D mm	D1 mm	D2 mm	D3 mm	H mm	H1 mm	H2 mm	H3 mm	H4 mm	A mm	A1 mm	A2 mm	No. Of Teeth
06370-1082	06370-1081	M8	14	16	24	25	10	44.5	4.5	37	58.5	49.5	88	92	15	22
06370-1102	06370-1101	M10	14	16	24	25	10	44.5	4.5	37	58.5	49.5	88	92	15	22
06370-2102	06370-2101	M10	17	19	28	32	12	51.5	5.5	42	68.5	57.5	106	111	15	24
06370-2122	06370-2121	M12	17	19	28	32	12	51.5	5.5	42	68.5	57.5	106	111	15	24
06370-3122	06370-3121	M12	23	23	33	32	13	58	6	47	81	65	128.5	134.5	15	26
06370-3162	06370-3161	M16	23	23	33	32	13	58	6	47	81	65	128.5	134.5	15	26
06370-4162	06370-4161	M16	27	30	41	32	13	68.5	7.5	56.5	89.5	76.5	128.5	134	15	36
06370-4202	06370-4201	M20	27	30	41	32	13	68.5	7.5	56.5	89.5	76.5	128.5	134	15	36
06370-4242	06370-4241	M24	27	30	41	32	13	68.5	7.5	56.5	89.5	76.5	128.5	134	15	36

ADJUSTABLE TENSION LEVERS

Steel | Male Threads | Flat and Angled | Inch



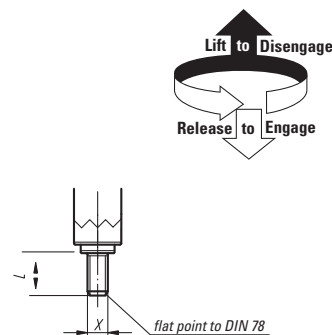
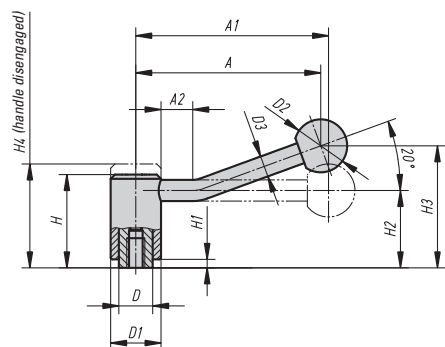
Pulling up on the handle disengages it from the spline and allows it to rotate freely for adjustment. Releasing the handle engages it for tightening or adjusting. They are made from steel with black powder coat finish. Knob is plastic.

INCH

Part # Flat	Part # Angled	X Thread	L	D	D1	D2	D3	H	H1	H2	H3	H4	A	A1	A2	No. Of Teeth
06380-1A32X20	06380-1A31X20	5/16-18	.79	.63	.94	.98	.39	1.75	.18	1.46	2.30	1.95	3.46	3.62	.59	22
06380-1A32X25	06380-1A31X25	5/16-18	.98	.63	.94	.98	.39	1.75	.18	1.46	2.30	1.95	3.46	3.62	.59	22
06380-1A32X30	06380-1A31X30	5/16-18	1.18	.63	.94	.98	.39	1.75	.18	1.46	2.30	1.95	3.46	3.62	.59	22
06380-1A32X40	06380-1A31X40	5/16-18	1.57	.63	.94	.98	.39	1.75	.18	1.46	2.30	1.95	3.46	3.62	.59	22
06380-1A32X50	06380-1A31X50	5/16-18	1.97	.63	.94	.98	.39	1.75	.18	1.46	2.30	1.95	3.46	3.62	.59	22
06380-1A32X60	06380-1A31X60	5/16-18	2.36	.63	.94	.98	.39	1.75	.18	1.46	2.30	1.95	3.46	3.62	.59	22
06380-1A42X20	06380-1A41X20	3/8-16	.79	.63	.94	.98	.39	1.75	.18	1.46	2.30	1.95	3.46	3.62	.59	22
06380-1A42X25	06380-1A41X25	3/8-16	.98	.63	.94	.98	.39	1.75	.18	1.46	2.30	1.95	3.46	3.62	.59	22
06380-1A42X30	06380-1A41X30	3/8-16	1.18	.63	.94	.98	.39	1.75	.18	1.46	2.30	1.95	3.46	3.62	.59	22
06380-1A42X40	06380-1A41X40	3/8-16	1.57	.63	.94	.98	.39	1.75	.18	1.46	2.30	1.95	3.46	3.62	.59	22
06380-1A42X50	06380-1A41X50	3/8-16	1.97	.63	.94	.98	.39	1.75	.18	1.46	2.30	1.95	3.46	3.62	.59	22
06380-1A42X60	06380-1A41X60	3/8-16	2.36	.63	.94	.98	.39	1.75	.18	1.46	2.30	1.95	3.46	3.62	.59	22
06380-1A52X20	06380-1A51X20	1/2-13	.79	.63	.94	.98	.39	1.75	.18	1.46	2.30	1.95	3.46	3.62	.59	22
06380-1A52X25	06380-1A51X25	1/2-13	.98	.63	.94	.98	.39	1.75	.18	1.46	2.30	1.95	3.46	3.62	.59	22
06380-1A52X30	06380-1A51X30	1/2-13	1.18	.63	.94	.98	.39	1.75	.18	1.46	2.30	1.95	3.46	3.62	.59	22
06380-1A52X40	06380-1A51X40	1/2-13	1.57	.63	.94	.98	.39	1.75	.18	1.46	2.30	1.95	3.46	3.62	.59	22
06380-1A52X50	06380-1A51X50	1/2-13	1.97	.63	.94	.98	.39	1.75	.18	1.46	2.30	1.95	3.46	3.62	.59	22
06380-1A52X60	06380-1A51X60	1/2-13	2.36	.63	.94	.98	.39	1.75	.18	1.46	2.30	1.95	3.46	3.62	.59	22
06380-2A52X20	06380-2A51X20	1/2-13	.79	.75	1.10	1.26	.47	2.03	.22	1.65	2.70	2.26	4.17	4.37	.59	24
06380-2A52X25	06380-2A51X25	1/2-13	.98	.75	1.10	1.26	.47	2.03	.22	1.65	2.70	2.26	4.17	4.37	.59	24
06380-2A52X30	06380-2A51X30	1/2-13	1.18	.75	1.10	1.26	.47	2.03	.22	1.65	2.70	2.26	4.17	4.37	.59	24
06380-2A52X40	06380-2A51X40	1/2-13	1.57	.75	1.10	1.26	.47	2.03	.22	1.65	2.70	2.26	4.17	4.37	.59	24
06380-2A52X50	06380-2A51X50	1/2-13	1.97	.75	1.10	1.26	.47	2.03	.22	1.65	2.70	2.26	4.17	4.37	.59	24
06380-2A52X60	06380-2A51X60	1/2-13	2.36	.75	1.10	1.26	.47	2.03	.22	1.65	2.70	2.26	4.17	4.37	.59	24
06380-3A52X20	06380-3A51X20	1/2-13	.79	.91	1.30	1.26	.51	2.28	.24	1.85	3.19	2.56	5.06	5.30	.59	26
06380-3A52X25	06380-3A51X25	1/2-13	.98	.91	1.30	1.26	.51	2.28	.24	1.85	3.19	2.56	5.06	5.30	.59	26
06380-3A52X30	06380-3A51X30	1/2-13	1.18	.91	1.30	1.26	.51	2.28	.24	1.85	3.19	2.56	5.06	5.30	.59	26
06380-3A52X40	06380-3A51X40	1/2-13	1.57	.91	1.30	1.26	.51	2.28	.24	1.85	3.19	2.56	5.06	5.30	.59	26
06380-3A52X50	06380-3A51X50	1/2-13	1.97	.91	1.30	1.26	.51	2.28	.24	1.85	3.19	2.56	5.06	5.30	.59	26
06380-3A52X60	06380-3A51X60	1/2-13	2.36	.91	1.30	1.26	.51	2.28	.24	1.85	3.19	2.56	5.06	5.30	.59	26
06380-3A62X20	06380-3A61X20	5/8-11	.79	.91	1.30	1.26	.51	2.28	.24	1.85	3.19	2.56	5.06	5.30	.59	26
06380-3A62X25	06380-3A61X25	5/8-11	.98	.91	1.30	1.26	.51	2.28	.24	1.85	3.19	2.56	5.06	5.30	.59	26
06380-3A62X30	06380-3A61X30	5/8-11	1.18	.91	1.30	1.26	.51	2.28	.24	1.85	3.19	2.56	5.06	5.30	.59	26
06380-3A62X40	06380-3A61X40	5/8-11	1.57	.91	1.30	1.26	.51	2.28	.24	1.85	3.19	2.56	5.06	5.30	.59	26
06380-3A62X50	06380-3A61X50	5/8-11	1.97	.91	1.30	1.26	.51	2.28	.24	1.85	3.19	2.56	5.06	5.30	.59	26
06380-3A62X60	06380-3A61X60	5/8-11	2.36	.91	1.30	1.26	.51	2.28	.24	1.85	3.19	2.56	5.06	5.30	.59	26
06380-4A62X30	06380-4A61X30	5/8-11	1.18	1.18	1.61	1.26	.51	2.70	.30	2.22	3.52	3.01	5.06	5.30	.59	36
06380-4A62X40	06380-4A61X40	5/8-11	1.57	1.18	1.61	1.26	.51	2.70	.30	2.22	3.52	3.01	5.06	5.30	.59	36
06380-4A62X50	06380-4A61X50	5/8-11	1.97	1.18	1.61	1.26	.51	2.70	.30	2.22	3.52	3.01	5.06	5.30	.59	36
06380-4A62X60	06380-4A61X60	5/8-11	2.36	1.18	1.61	1.26	.51	2.70	.30	2.22	3.52	3.01	5.06	5.30	.59	36
06380-4A72X30	06380-4A71X30	3/4-10	1.18	1.18	1.61	1.26	.51	2.70	.30	2.22	3.52	3.01	5.06	5.30	.59	36
06380-4A72X40	06380-4A71X40	3/4-10	1.57	1.18	1.61	1.26	.51	2.70	.30	2.22	3.52	3.01	5.06	5.30	.59	36
06380-4A72X50	06380-4A71X50	3/4-10	1.97	1.18	1.61	1.26	.51	2.70	.30	2.22	3.52	3.01	5.06	5.30	.59	36
06380-4A72X60	06380-4A71X60	3/4-10	2.36	1.18	1.61	1.26	.51	2.70	.30	2.22	3.52	3.01	5.06	5.30	.59	36

ADJUSTABLE TENSION LEVERS

Steel | Male Threads | Flat and Angled | Metric



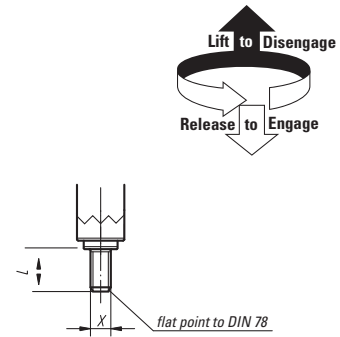
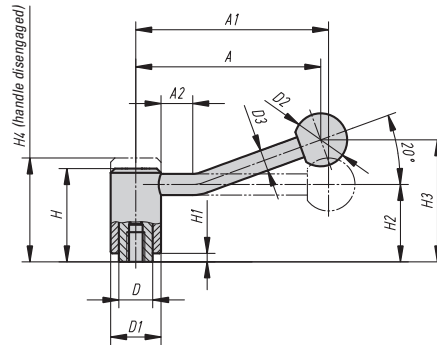
Pulling up on the handle disengages it from the spline and allows it to rotate freely for adjustment. Releasing the handle engages it for tightening or adjusting. They are made from steel with black powder coat finish. Knob is plastic.

METRIC

Part # Flat	Part # Angled	X Thread	L mm	D mm	D1 mm	D2 mm	D3 mm	H mm	H1 mm	H2 mm	H3 mm	H4 mm	A mm	A1 mm	A2 mm	No. Of Teeth
06380-1082X15	06380-1081X15	M8	15	16	24	25	10	44.5	4.5	37	58.5	49.5	88	92	15	22
06380-1082X20	06380-1081X20	M8	20	16	24	25	10	44.5	4.5	37	58.5	49.5	88	92	15	22
06380-1082X25	06380-1081X25	M8	25	16	24	25	10	44.5	4.5	37	58.5	49.5	88	92	15	22
06380-1082X30	06380-1081X30	M8	30	16	24	25	10	44.5	4.5	37	58.5	49.5	88	92	15	22
06380-1082X40	06380-1081X40	M8	40	16	24	25	10	44.5	4.5	37	58.5	49.5	88	92	15	22
06380-1082X50	06380-1081X50	M8	50	16	24	25	10	44.5	4.5	37	58.5	49.5	88	92	15	22
06380-1082X60	06380-1081X60	M8	60	16	24	25	10	44.5	4.5	37	58.5	49.5	88	92	15	22
06380-1102X15	06380-1101X15	M10	15	16	24	25	10	44.5	4.5	37	58.5	49.5	88	92	15	22
06380-1102X20	06380-1101X20	M10	20	16	24	25	10	44.5	4.5	37	58.5	49.5	88	92	15	22
06380-1102X25	06380-1101X25	M10	25	16	24	25	10	44.5	4.5	37	58.5	49.5	88	92	15	22
06380-1102X30	06380-1101X30	M10	30	16	24	25	10	44.5	4.5	37	58.5	49.5	88	92	15	22
06380-1102X40	06380-1101X40	M10	40	16	24	25	10	44.5	4.5	37	58.5	49.5	88	92	15	22
06380-1102X50	06380-1101X50	M10	50	16	24	25	10	44.5	4.5	37	58.5	49.5	88	92	15	22
06380-1102X60	06380-1101X60	M10	60	16	24	25	10	44.5	4.5	37	58.5	49.5	88	92	15	22
06380-1122X15	06380-1121X15	M12	15	16	24	25	10	44.5	4.5	37	58.5	49.5	88	92	15	22
06380-1122X20	06380-1121X20	M12	20	16	24	25	10	44.5	4.5	37	58.5	49.5	88	92	15	22
06380-1122X25	06380-1121X25	M12	25	16	24	25	10	44.5	4.5	37	58.5	49.5	88	92	15	22
06380-1122X30	06380-1121X30	M12	30	16	24	25	10	44.5	4.5	37	58.5	49.5	88	92	15	22
06380-1122X40	06380-1121X40	M12	40	16	24	25	10	44.5	4.5	37	58.5	49.5	88	92	15	22
06380-1122X50	06380-1121X50	M12	50	16	24	25	10	44.5	4.5	37	58.5	49.5	88	92	15	22
06380-1122X60	06380-1121X60	M12	60	16	24	25	10	44.5	4.5	37	58.5	49.5	88	92	15	22
06380-2122X20	06380-2121X20	M12	20	19	28	32	12	51.5	5.5	42	68.5	57.5	106	111	15	24
06380-2122X25	06380-2121X25	M12	25	19	28	32	12	51.5	5.5	42	68.5	57.5	106	111	15	24
06380-2122X30	06380-2121X30	M12	30	19	28	32	12	51.5	5.5	42	68.5	57.5	106	111	15	24
06380-2122X40	06380-2121X40	M12	40	19	28	32	12	51.5	5.5	42	68.5	57.5	106	111	15	24
06380-2122X50	06380-2121X50	M12	50	19	28	32	12	51.5	5.5	42	68.5	57.5	106	111	15	24
06380-2122X60	06380-2121X60	M12	60	19	28	32	12	51.5	5.5	42	68.5	57.5	106	111	15	24
06380-3122X20	06380-3121X20	M12	20	23	33	32	13	58	6	47	81	65	128.5	134.5	15	26
06380-3122X25	06380-3121X25	M12	25	23	33	32	13	58	6	47	81	65	128.5	134.5	15	26
06380-3122X30	06380-3121X30	M12	30	23	33	32	13	58	6	47	81	65	128.5	134.5	15	26
06380-3122X40	06380-3121X40	M12	40	23	33	32	13	58	6	47	81	65	128.5	134.5	15	26
06380-3122X50	06380-3121X50	M12	50	23	33	32	13	58	6	47	81	65	128.5	134.5	15	26
06380-3122X60	06380-3121X60	M12	60	23	33	32	13	58	6	47	81	65	128.5	134.5	15	26
06380-3122X70	06380-3121X70	M12	70	23	33	32	13	58	6	47	81	65	128.5	134.5	15	26
06380-3122X80	06380-3121X80	M12	80	23	33	32	13	58	6	47	81	65	128.5	134.5	15	26
06380-3122X90	06380-3121X90	M12	90	23	33	32	13	58	6	47	81	65	128.5	134.5	15	26
06380-3162X20	06380-3161X20	M16	20	23	33	32	13	58	6	47	81	65	128.5	134.5	15	26
06380-3162X25	06380-3161X25	M16	25	23	33	32	13	58	6	47	81	65	128.5	134.5	15	26
06380-3162X30	06380-3161X30	M16	30	23	33	32	13	58	6	47	81	65	128.5	134.5	15	26
06380-3162X40	06380-3161X40	M16	40	23	33	32	13	58	6	47	81	65	128.5	134.5	15	26
06380-3162X50	06380-3161X50	M16	50	23	33	32	13	58	6	47	81	65	128.5	134.5	15	26
06380-3162X60	06380-3161X60	M16	60	23	33	32	13	58	6	47	81	65	128.5	134.5	15	26
06380-3162X70	06380-3161X70	M16	70	23	33	32	13	58	6	47	81	65	128.5	134.5	15	26
06380-3162X80	06380-3161X80	M16	80	23	33	32	13	58	6	47	81	65	128.5	134.5	15	26
06380-3162X90	06380-3161X90	M16	90	23	33	32	13	58	6	47	81	65	128.5	134.5	15	26

ADJUSTABLE TENSION LEVERS

Steel | Male Threads | Flat and Angled | Metric (continued)

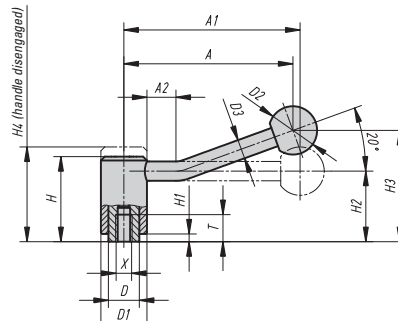


METRIC (CONTINUED)

Part # Flat	Part # Angled	X Thread	L mm	D mm	D1 mm	D2 mm	D3 mm	H mm	H1 mm	H2 mm	H3 mm	H4 mm	A mm	A1 mm	A2 mm	No. Of Teeth
06380-4162X30	06380-4161X30	M16	30	30	41	32	13	68.5	7.5	56.5	89.5	76.5	128.5	134.5	15	36
06380-4162X40	06380-4161X40	M16	40	30	41	32	13	68.5	7.5	56.5	89.5	76.5	128.5	134.5	15	36
06380-4162X50	06380-4161X50	M16	50	30	41	32	13	68.5	7.5	56.5	89.5	76.5	128.5	134.5	15	36
06380-4162X60	06380-4161X60	M16	60	30	41	32	13	68.5	7.5	56.5	89.5	76.5	128.5	134.5	15	36
06380-4162X70	06380-4161X70	M16	70	30	41	32	13	68.5	7.5	56.5	89.5	76.5	128.5	134.5	15	36
06380-4162X80	06380-4161X80	M16	80	30	41	32	13	68.5	7.5	56.5	89.5	76.5	128.5	134.5	15	36
06380-4162X90	06380-4161X90	M16	90	30	41	32	13	68.5	7.5	56.5	89.5	76.5	128.5	134.5	15	36
06380-4202X30	06380-4201X30	M20	30	30	41	32	13	68.5	7.5	56.5	89.5	76.5	128.5	134.5	15	36
06380-4202X40	06380-4201X40	M20	40	30	41	32	13	68.5	7.5	56.5	89.5	76.5	128.5	134.5	15	36
06380-4202X50	06380-4201X50	M20	50	30	41	32	13	68.5	7.5	56.5	89.5	76.5	128.5	134.5	15	36
06380-4202X60	06380-4201X60	M20	60	30	41	32	13	68.5	7.5	56.5	89.5	76.5	128.5	134.5	15	36
06380-4202X70	06380-4201X70	M20	70	30	41	32	13	68.5	7.5	56.5	89.5	76.5	128.5	134.5	15	36
06380-4202X80	06380-4201X80	M20	80	30	41	32	13	68.5	7.5	56.5	89.5	76.5	128.5	134.5	15	36
06380-4202X90	06380-4201X90	M20	90	30	41	32	13	68.5	7.5	56.5	89.5	76.5	128.5	134.5	15	36
06380-4242X30	06380-4241X30	M24	30	30	41	32	13	68.5	7.5	56.5	89.5	76.5	128.5	134.5	15	36
06380-4242X40	06380-4241X40	M24	40	30	41	32	13	68.5	7.5	56.5	89.5	76.5	128.5	134.5	15	36
06380-4242X50	06380-4241X50	M24	50	30	41	32	13	68.5	7.5	56.5	89.5	76.5	128.5	134.5	15	36
06380-4242X60	06380-4241X60	M24	60	30	41	32	13	68.5	7.5	56.5	89.5	76.5	128.5	134.5	15	36
06380-4242X70	06380-4241X70	M24	70	30	41	32	13	68.5	7.5	56.5	89.5	76.5	128.5	134.5	15	36
06380-4242X80	06380-4241X80	M24	80	30	41	32	13	68.5	7.5	56.5	89.5	76.5	128.5	134.5	15	36
06380-4242X90	06380-4241X90	M24	90	30	41	32	13	68.5	7.5	56.5	89.5	76.5	128.5	134.5	15	36

ADJUSTABLE TENSION LEVERS

Stainless | Female Threads | Flat and Angled | Inch and Metric



Pulling up on the handle disengages it from the spline and allows it to rotate freely for adjustment. Releasing the handle engages it for tightening or adjusting. They are made from stainless steel with a natural finish. Knob is plastic.

INCH

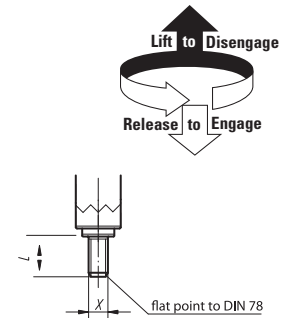
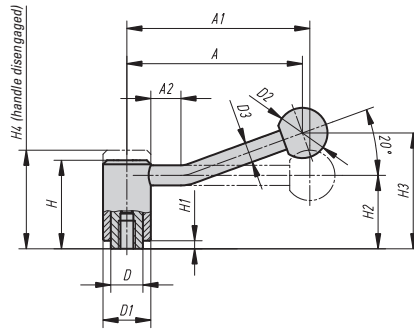
Part # Flat	Part # Angled	X Thread	T	D	D1	D2	D3	H	H1	H2	H3	H4	A	A1	A2	No. Of Teeth
06371-1A32	06371-1A31	5/16-18	.55	.63	.94	.98	.39	1.75	.18	1.46	2.30	1.95	3.46	3.62	.59	22
06371-1A42	06371-1A41	3/8-16	.55	.63	.94	.98	.39	1.75	.18	1.46	2.30	1.95	3.46	3.62	.59	22
06371-2A42	06371-2A41	3/8-16	.67	.75	1.10	1.26	.47	2.03	.22	1.65	2.70	2.26	4.17	4.37	.59	24
06371-2A52	06371-2A51	1/2-13	.67	.75	1.10	1.26	.47	2.03	.22	1.65	2.70	2.26	4.17	4.37	.59	24
06371-3A52	06371-3A51	1/2-13	.91	.91	1.30	1.26	.51	2.28	.24	1.85	3.19	2.56	5.06	5.30	.59	26
06371-3A62	06371-3A61	5/8-11	.91	.91	1.30	1.26	.51	2.28	.24	1.85	3.19	2.56	5.06	5.30	.59	26
06371-4A62	06371-4A61	5/8-11	1.06	1.18	1.61	1.26	.51	2.70	.30	2.22	3.52	3.01	5.06	5.28	.59	36
06371-4A72	06371-4A71	3/4-10	1.06	1.18	1.61	1.26	.51	2.70	.30	2.22	3.52	3.01	5.06	5.28	.59	36

METRIC

Part # Flat	Part # Angled	X Thread	T mm	D mm	D1 mm	D2 mm	D3 mm	H mm	H1 mm	H2 mm	H3 mm	H4 mm	A mm	A1 mm	A2 mm	No. Of Teeth
06371-1082	06371-1081	M8	14	16	24	25	10	44.5	4.5	37	58.5	49.5	88	92	15	22
06371-1102	06371-1101	M10	14	16	24	25	10	44.5	4.5	37	58.5	49.5	88	92	15	22
06371-2102	06371-2101	M10	17	19	28	32	12	51.5	5.5	42	68.5	57.5	106	111	15	24
06371-2122	06371-2121	M12	17	19	28	32	12	51.5	5.5	42	68.5	57.5	106	111	15	24
06371-3122	06371-3121	M12	23	23	33	32	13	58	6	47	81	65	128.5	134.5	15	26
06371-3162	06371-3161	M16	23	23	33	32	13	58	6	47	81	65	128.5	134.5	15	26
06371-4162	06371-4161	M16	27	30	41	32	13	68.5	7.5	56.5	89.5	76.5	128.5	134	15	36
06371-4202	06371-4201	M20	27	30	41	32	13	68.5	7.5	56.5	89.5	76.5	128.5	134	15	36

ADJUSTABLE TENSION LEVERS

Stainless | Male Threads | Flat and Angled | Inch and Metric



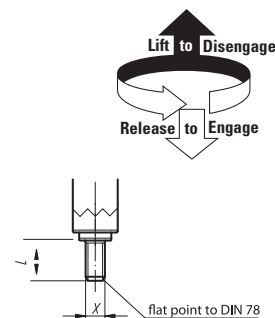
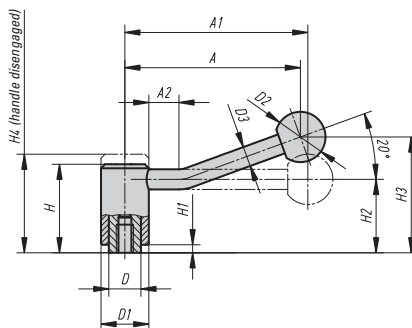
Pulling up on the handle disengages it from the spline and allows it to rotate freely for adjustment. Releasing the handle engages it for tightening or adjusting. They are made from stainless steel with a natural finish. Knob is plastic.

INCH

Part # Flat	Part # Angled	X Thread	L	D	D1	D2	D3	H	H1	H2	H3	H4	A	A1	A2	No. Of Teeth
06381-1A32X15	06381-1A31X15	5/16-18	.59	.63	.94	.98	.39	1.75	.18	1.46	2.30	1.95	3.46	3.62	.59	22
06381-1A32X20	06381-1A31X20	5/16-18	.79	.63	.94	.98	.39	1.75	.18	1.46	2.30	1.95	3.46	3.62	.59	22
06381-1A32X25	06381-1A31X25	5/16-18	.98	.63	.94	.98	.39	1.75	.18	1.46	2.30	1.95	3.46	3.62	.59	22
06381-1A32X30	06381-1A31X30	5/16-18	1.18	.63	.94	.98	.39	1.75	.18	1.46	2.30	1.95	3.46	3.62	.59	22
06381-1A32X40	06381-1A31X40	5/16-18	1.57	.63	.94	.98	.39	1.75	.18	1.46	2.30	1.95	3.46	3.62	.59	22
06381-1A32X50	06381-1A31X50	5/16-18	1.97	.63	.94	.98	.39	1.75	.18	1.46	2.30	1.95	3.46	3.62	.59	22
06381-1A32X60	06381-1A31X60	5/16-18	2.36	.63	.94	.98	.39	1.75	.18	1.46	2.30	1.95	3.46	3.62	.59	22
06381-1A42X15	06381-1A41X15	3/8-16	.59	.63	.94	.98	.39	1.75	.18	1.46	2.30	1.95	3.46	3.62	.59	22
06381-1A42X20	06381-1A41X20	3/8-16	.79	.63	.94	.98	.39	1.75	.18	1.46	2.30	1.95	3.46	3.62	.59	22
06381-1A42X25	06381-1A41X25	3/8-16	.98	.63	.94	.98	.39	1.75	.18	1.46	2.30	1.95	3.46	3.62	.59	22
06381-1A42X30	06381-1A41X30	3/8-16	1.18	.63	.94	.98	.39	1.75	.18	1.46	2.30	1.95	3.46	3.62	.59	22
06381-1A42X40	06381-1A41X40	3/8-16	1.57	.63	.94	.98	.39	1.75	.18	1.46	2.30	1.95	3.46	3.62	.59	22
06381-1A42X50	06381-1A41X50	3/8-16	1.97	.63	.94	.98	.39	1.75	.18	1.46	2.30	1.95	3.46	3.62	.59	22
06381-1A42X60	06381-1A41X60	3/8-16	2.36	.63	.94	.98	.39	1.75	.18	1.46	2.30	1.95	3.46	3.62	.59	22
06381-1A52X15	06381-1A51X15	1/2-13	.59	.63	.94	.98	.39	1.75	.18	1.46	2.30	1.95	3.46	3.62	.59	22
06381-1A52X20	06381-1A51X20	1/2-13	.79	.63	.94	.98	.39	1.75	.18	1.46	2.30	1.95	3.46	3.62	.59	22
06381-1A52X25	06381-1A51X25	1/2-13	.98	.63	.94	.98	.39	1.75	.18	1.46	2.30	1.95	3.46	3.62	.59	22
06381-1A52X30	06381-1A51X30	1/2-13	1.18	.63	.94	.98	.39	1.75	.18	1.46	2.30	1.95	3.46	3.62	.59	22
06381-1A52X40	06381-1A51X40	1/2-13	1.57	.63	.94	.98	.39	1.75	.18	1.46	2.30	1.95	3.46	3.62	.59	22
06381-1A52X50	06381-1A51X50	1/2-13	1.97	.63	.94	.98	.39	1.75	.18	1.46	2.30	1.95	3.46	3.62	.59	22
06381-1A52X60	06381-1A51X60	1/2-13	2.36	.63	.94	.98	.39	1.75	.18	1.46	2.30	1.95	3.46	3.62	.59	22
06381-2A52X20	06381-2A51X20	1/2-13	.79	.75	1.10	1.26	.47	2.03	.22	1.65	2.70	2.26	4.17	4.37	.59	24
06381-2A52X25	06381-2A51X25	1/2-13	.98	.75	1.10	1.26	.47	2.03	.22	1.65	2.70	2.26	4.17	4.37	.59	24
06381-2A52X30	06381-2A51X30	1/2-13	1.18	.75	1.10	1.26	.47	2.03	.22	1.65	2.70	2.26	4.17	4.37	.59	24
06381-2A52X40	06381-2A51X40	1/2-13	1.57	.75	1.10	1.26	.47	2.03	.22	1.65	2.70	2.26	4.17	4.37	.59	24
06381-2A52X50	06381-2A51X50	1/2-13	1.97	.75	1.10	1.26	.47	2.03	.22	1.65	2.70	2.26	4.17	4.37	.59	24
06381-2A52X60	06381-2A51X60	1/2-13	2.36	.75	1.10	1.26	.47	2.03	.22	1.65	2.70	2.26	4.17	4.37	.59	24
06381-3A52X20	06381-3A51X20	1/2-13	.79	.91	1.30	1.26	.51	2.28	.24	1.85	3.19	2.56	5.06	5.30	.59	26
06381-3A52X25	06381-3A51X25	1/2-13	.98	.91	1.30	1.26	.51	2.28	.24	1.85	3.19	2.56	5.06	5.30	.59	26
06381-3A52X30	06381-3A51X30	1/2-13	1.18	.91	1.30	1.26	.51	2.28	.24	1.85	3.19	2.56	5.06	5.30	.59	26
06381-3A52X40	06381-3A51X40	1/2-13	1.57	.91	1.30	1.26	.51	2.28	.24	1.85	3.19	2.56	5.06	5.30	.59	26
06381-3A52X50	06381-3A51X50	1/2-13	1.97	.91	1.30	1.26	.51	2.28	.24	1.85	3.19	2.56	5.06	5.30	.59	26
06381-3A52X60	06381-3A51X60	1/2-13	2.36	.91	1.30	1.26	.51	2.28	.24	1.85	3.19	2.56	5.06	5.30	.59	26
06381-3A52X70	06381-3A51X70	1/2-13	2.76	.91	1.30	1.26	.51	2.28	.24	1.85	3.19	2.56	5.06	5.30	.59	26
06381-3A52X80	06381-3A51X80	1/2-13	3.15	.91	1.30	1.26	.51	2.28	.24	1.85	3.19	2.56	5.06	5.30	.59	26
06381-3A52X90	06381-3A51X90	1/2-13	3.54	.91	1.30	1.26	.51	2.28	.24	1.85	3.19	2.56	5.06	5.30	.59	26

ADJUSTABLE TENSION LEVERS

Stainless | Male Threads | Flat and Angled | Inch and Metric (continued)



INCH (CONTINUED)

Part # Flat	Part # Angled	X Thread	L	D	D1	D2	D3	H	H1	H2	H3	H4	A	A1	A2	No. Of Teeth
06381-3A62X20	06381-3A61X20	5/8-11	.79	.91	1.30	1.26	.51	2.28	.24	1.85	3.19	2.56	5.06	5.30	.59	26
06381-3A62X25	06381-3A61X25	5/8-11	.98	.91	1.30	1.26	.51	2.28	.24	1.85	3.19	2.56	5.06	5.30	.59	26
06381-3A62X30	06381-3A61X30	5/8-11	1.18	.91	1.30	1.26	.51	2.28	.24	1.85	3.19	2.56	5.06	5.30	.59	26
06381-3A62X40	06381-3A61X40	5/8-11	1.57	.91	1.30	1.26	.51	2.28	.24	1.85	3.19	2.56	5.06	5.30	.59	26
06381-3A62X50	06381-3A61X50	5/8-11	1.97	.91	1.30	1.26	.51	2.28	.24	1.85	3.19	2.56	5.06	5.30	.59	26
06381-3A62X60	06381-3A61X60	5/8-11	2.36	.91	1.30	1.26	.51	2.28	.24	1.85	3.19	2.56	5.06	5.30	.59	26
06381-3A62X70	06381-3A61X70	5/8-11	2.76	.91	1.30	1.26	.51	2.28	.24	1.85	3.19	2.56	5.06	5.30	.59	26
06381-3A62X80	06381-3A61X80	5/8-11	3.15	.91	1.30	1.26	.51	2.28	.24	1.85	3.19	2.56	5.06	5.30	.59	26
06381-3A62X90	06381-3A61X90	5/8-11	3.54	.91	1.30	1.26	.51	2.28	.24	1.85	3.19	2.56	5.06	5.30	.59	26
06381-4A62X30	06381-4A61X30	5/8-11	1.18	1.18	1.61	1.26	.51	2.70	.30	2.22	3.52	3.01	5.06	5.28	.59	36
06381-4A62X40	06381-4A61X40	5/8-11	1.57	1.18	1.61	1.26	.51	2.70	.30	2.22	3.52	3.01	5.06	5.28	.59	36
06381-4A62X50	06381-4A61X50	5/8-11	1.97	1.18	1.61	1.26	.51	2.70	.30	2.22	3.52	3.01	5.06	5.28	.59	36
06381-4A62X60	06381-4A61X60	5/8-11	2.36	1.18	1.61	1.26	.51	2.70	.30	2.22	3.52	3.01	5.06	5.28	.59	36
06381-4A62X70	06381-4A61X70	5/8-11	2.76	1.18	1.61	1.26	.51	2.70	.30	2.22	3.52	3.01	5.06	5.28	.59	36
06381-4A62X80	06381-4A61X80	5/8-11	3.15	1.18	1.61	1.26	.51	2.70	.30	2.22	3.52	3.01	5.06	5.28	.59	36
06381-4A62X90	06381-4A61X90	5/8-11	3.54	1.18	1.61	1.26	.51	2.70	.30	2.22	3.52	3.01	5.06	5.28	.59	36
06381-4A72X30	06381-4A71X30	3/4-10	1.18	1.18	1.61	1.26	.51	2.70	.30	2.22	3.52	3.01	5.06	5.28	.59	36
06381-4A72X40	06381-4A71X40	3/4-10	1.57	1.18	1.61	1.26	.51	2.70	.30	2.22	3.52	3.01	5.06	5.28	.59	36
06381-4A72X50	06381-4A71X50	3/4-10	1.97	1.18	1.61	1.26	.51	2.70	.30	2.22	3.52	3.01	5.06	5.28	.59	36
06381-4A72X60	06381-4A71X60	3/4-10	2.36	1.18	1.61	1.26	.51	2.70	.30	2.22	3.52	3.01	5.06	5.28	.59	36
06381-4A72X70	06381-4A71X70	3/4-10	2.76	1.18	1.61	1.26	.51	2.70	.30	2.22	3.52	3.01	5.06	5.28	.59	36
06381-4A72X80	06381-4A71X80	3/4-10	3.15	1.18	1.61	1.26	.51	2.70	.30	2.22	3.52	3.01	5.06	5.28	.59	36
06381-4A72X90	06381-4A71X90	3/4-10	3.54	1.18	1.61	1.26	.51	2.70	.30	2.22	3.52	3.01	5.06	5.28	.59	36

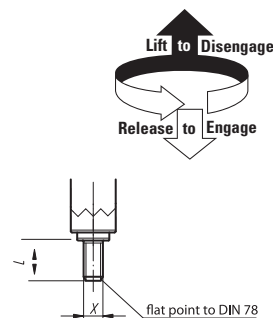
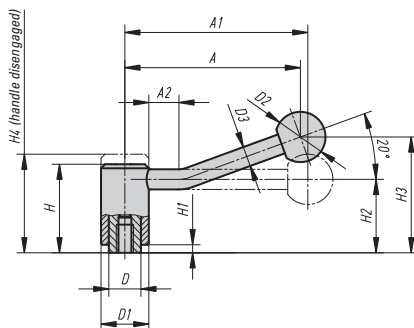
METRIC

Part # Flat	Part # Angled	X Thread	L mm	D mm	D1 mm	D2 mm	D3 mm	H mm	H1 mm	H2 mm	H3 mm	H4 mm	A mm	A1 mm	A2 mm	No. Of Teeth
06381-1082X15	06381-1081X15	M8	15	16	24	25	10	44.5	4.5	37	58.5	49.5	88	92	15	22
06381-1082X20	06381-1081X20	M8	20	16	24	25	10	44.5	4.5	37	58.5	49.5	88	92	15	22
06381-1082X25	06381-1081X25	M8	25	16	24	25	10	44.5	4.5	37	58.5	49.5	88	92	15	22
06381-1082X30	06381-1081X30	M8	30	16	24	25	10	44.5	4.5	37	58.5	49.5	88	92	15	22
06381-1082X40	06381-1081X40	M8	40	16	24	25	10	44.5	4.5	37	58.5	49.5	88	92	15	22
06381-1082X50	06381-1081X50	M8	50	16	24	25	10	44.5	4.5	37	58.5	49.5	88	92	15	22
06381-1082X60	06381-1081X60	M8	60	16	24	25	10	44.5	4.5	37	58.5	49.5	88	92	15	22
06381-1102X15	06381-1101X15	M10	15	16	24	25	10	44.5	4.5	37	58.5	49.5	88	92	15	22
06381-1102X20	06381-1101X20	M10	20	16	24	25	10	44.5	4.5	37	58.5	49.5	88	92	15	22
06381-1102X25	06381-1101X25	M10	25	16	24	25	10	44.5	4.5	37	58.5	49.5	88	92	15	22
06381-1102X30	06381-1101X30	M10	30	16	24	25	10	44.5	4.5	37	58.5	49.5	88	92	15	22
06381-1102X40	06381-1101X40	M10	40	16	24	25	10	44.5	4.5	37	58.5	49.5	88	92	15	22
06381-1102X50	06381-1101X50	M10	50	16	24	25	10	44.5	4.5	37	58.5	49.5	88	92	15	22
06381-1102X60	06381-1101X60	M10	60	16	24	25	10	44.5	4.5	37	58.5	49.5	88	92	15	22



ADJUSTABLE TENSION LEVERS

Stainless | Male Threads | Flat and Angled | Inch and Metric (continued)

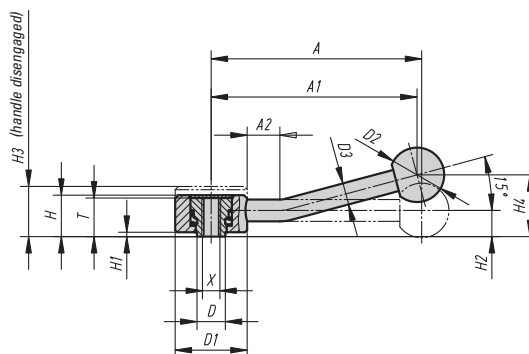


METRIC (CONTINUED)

Part # Flat	Part # Angled	X Thread	L mm	D mm	D1 mm	D2 mm	D3 mm	H mm	H1 mm	H2 mm	H3 mm	H4 mm	A mm	A1 mm	A2 mm	No. Of Teeth
06381-1122X15	06381-1121X15	M12	15	16	24	25	10	44.5	4.5	37	58.5	49.5	88	92	15	22
06381-1122X20	06381-1121X20	M12	20	16	24	25	10	44.5	4.5	37	58.5	49.5	88	92	15	22
06381-1122X25	06381-1121X25	M12	25	16	24	25	10	44.5	4.5	37	58.5	49.5	88	92	15	22
06381-1122X30	06381-1121X30	M12	30	16	24	25	10	44.5	4.5	37	58.5	49.5	88	92	15	22
06381-1122X40	06381-1121X40	M12	40	16	24	25	10	44.5	4.5	37	58.5	49.5	88	92	15	22
06381-1122X50	06381-1121X50	M12	50	16	24	25	10	44.5	4.5	37	58.5	49.5	88	92	15	22
06381-1122X60	06381-1121X60	M12	60	16	24	25	10	44.5	4.5	37	58.5	49.5	88	92	15	22
06381-2122X20	06381-2121X20	M12	20	19	28	32	12	51.5	5.5	42	68.5	57.5	106	111	15	24
06381-2122X25	06381-2121X25	M12	25	19	28	32	12	51.5	5.5	42	68.5	57.5	106	111	15	24
06381-2122X30	06381-2121X30	M12	30	19	28	32	12	51.5	5.5	42	68.5	57.5	106	111	15	24
06381-2122X40	06381-2121X40	M12	40	19	28	32	12	51.5	5.5	42	68.5	57.5	106	111	15	24
06381-2122X50	06381-2121X50	M12	50	19	28	32	12	51.5	5.5	42	68.5	57.5	106	111	15	24
06381-2122X60	06381-2121X60	M12	60	19	28	32	12	51.5	5.5	42	68.5	57.5	106	111	15	24
06381-3122X20	06381-3121X20	M12	20	23	33	32	13	58	6	47	81	65	128.5	134.5	15	26
06381-3122X25	06381-3121X25	M12	25	23	33	32	13	58	6	47	81	65	128.5	134.5	15	26
06381-3122X30	06381-3121X30	M12	30	23	33	32	13	58	6	47	81	65	128.5	134.5	15	26
06381-3122X40	06381-3121X40	M12	40	23	33	32	13	58	6	47	81	65	128.5	134.5	15	26
06381-3122X50	06381-3121X50	M12	50	23	33	32	13	58	6	47	81	65	128.5	134.5	15	26
06381-3122X60	06381-3121X60	M12	60	23	33	32	13	58	6	47	81	65	128.5	134.5	15	26
06381-3122X70	06381-3121X70	M12	70	23	33	32	13	58	6	47	81	65	128.5	134.5	15	26
06381-3122X80	06381-3121X80	M12	80	23	33	32	13	58	6	47	81	65	128.5	134.5	15	26
06381-3122X90	06381-3121X90	M12	90	23	33	32	13	58	6	47	81	65	128.5	134.5	15	26
06381-3162X20	06381-3161X20	M16	20	23	33	32	13	58	6	47	81	65	128.5	134.5	15	26
06381-3162X25	06381-3161X25	M16	25	23	33	32	13	58	6	47	81	65	128.5	134.5	15	26
06381-3162X30	06381-3161X30	M16	30	23	33	32	13	58	6	47	81	65	128.5	134.5	15	26
06381-3162X40	06381-3161X40	M16	40	23	33	32	13	58	6	47	81	65	128.5	134.5	15	26
06381-3162X50	06381-3161X50	M16	50	23	33	32	13	58	6	47	81	65	128.5	134.5	15	26
06381-3162X60	06381-3161X60	M16	60	23	33	32	13	58	6	47	81	65	128.5	134.5	15	26
06381-3162X70	06381-3161X70	M16	70	23	33	32	13	58	6	47	81	65	128.5	134.5	15	26
06381-3162X80	06381-3161X80	M16	80	23	33	32	13	58	6	47	81	65	128.5	134.5	15	26
06381-3162X90	06381-3161X90	M16	90	23	33	32	13	58	6	47	81	65	128.5	134.5	15	26
06381-4162X30	06381-4161X30	M16	30	30	41	32	13	68.5	7.5	56.5	89.5	76.5	128.5	134	15	36
06381-4162X40	06381-4161X40	M16	40	30	41	32	13	68.5	7.5	56.5	89.5	76.5	128.5	134	15	36
06381-4162X50	06381-4161X50	M16	50	30	41	32	13	68.5	7.5	56.5	89.5	76.5	128.5	134	15	36
06381-4162X60	06381-4161X60	M16	60	30	41	32	13	68.5	7.5	56.5	89.5	76.5	128.5	134	15	36
06381-4162X70	06381-4161X70	M16	70	30	41	32	13	68.5	7.5	56.5	89.5	76.5	128.5	134	15	36
06381-4162X80	06381-4161X80	M16	80	30	41	32	13	68.5	7.5	56.5	89.5	76.5	128.5	134	15	36
06381-4162X90	06381-4161X90	M16	90	30	41	32	13	68.5	7.5	56.5	89.5	76.5	128.5	134	15	36
06381-4202X30	06381-4201X30	M20	30	30	41	32	13	68.5	7.5	56.5	89.5	76.5	128.5	134	15	36
06381-4202X40	06381-4201X40	M20	40	30	41	32	13	68.5	7.5	56.5	89.5	76.5	128.5	134	15	36
06381-4202X50	06381-4201X50	M20	50	30	41	32	13	68.5	7.5	56.5	89.5	76.5	128.5	134	15	36
06381-4202X60	06381-4201X60	M20	60	30	41	32	13	68.5	7.5	56.5	89.5	76.5	128.5	134	15	36
06381-4202X70	06381-4201X70	M20	70	30	41	32	13	68.5	7.5	56.5	89.5	76.5	128.5	134	15	36
06381-4202X80	06381-4201X80	M20	80	30	41	32	13	68.5	7.5	56.5	89.5	76.5	128.5	134	15	36
06381-4202X90	06381-4201X90	M20	90	30	41	32	13	68.5	7.5	56.5	89.5	76.5	128.5	134	15	36

LOW PROFILE ADJUSTABLE TENSION LEVERS

Steel | Female Threads | Flat and Angled | Inch and Metric



Pulling up on the handle disengages it from the spline and allows it to rotate freely for adjustment. Releasing the handle engages it for tightening or adjusting. They are made from steel with black oxide finish. Knob is plastic. Low profile for use in tight spaces.

INCH

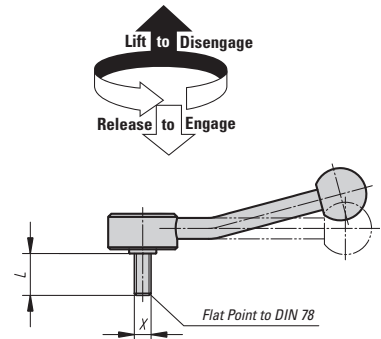
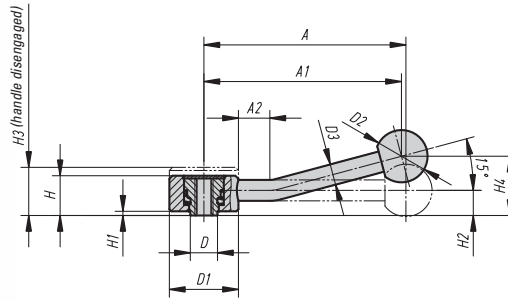
Part # Flat	Part # Angled	X Thread	T	D	D1	D2	D3	H	H1	H2	H3	H4	A	A1	A2	No. Of Teeth
06390-1A21	06390-1A22	1/4-20	.71	.53	1.30	.98	.39	.75	.08	.47	.91	1.14	3.94	4.02	.59	20
06390-1A31	06390-1A32	5/16-18	.71	.53	1.30	.98	.39	.75	.08	.47	.91	1.14	3.94	4.02	.59	20
06390-2A41	06390-2A42	3/8-16	.83	.75	1.61	1.18	.47	.87	.08	.53	1.02	1.50	5.00	5.28	.59	24
06390-2A51	06390-2A52	1/2-13	.83	.75	1.61	1.18	.47	.87	.08	.53	1.02	1.50	5.00	5.28	.59	24
06390-3A51	06390-3A52	1/2-13	1.06	.91	1.77	1.46	.55	1.10	.08	.67	1.30	1.89	5.71	5.83	.59	26
06390-3A61	06390-3A62	5/8-11	1.06	.91	1.77	1.46	.55	1.10	.08	.67	1.30	1.89	5.71	5.83	.59	26

METRIC

Part # Flat	Part # Angled	X Thread	T mm	D mm	D1 mm	D2 mm	D3 mm	H mm	H1 mm	H2 mm	H3 mm	H4 mm	A mm	A1 mm	A2 mm	No. Of Teeth
06390-1061	06390-1062	M6	18	13.5	33	25	10	19	2	12	23	29	100	102	15	20
06390-1081	06390-1082	M8	18	13.5	33	25	10	19	2	12	23	29	100	102	15	20
06390-2101	06390-2102	M10	21	19	41	30	12	22	2	13.5	26	38	127	134	15	24
06390-2121	06390-2122	M12	21	19	41	30	12	22	2	13.5	26	38	127	134	15	24
06390-3121	06390-3122	M12	27	23	45	37	14	28	2	17	33	48	145	148	15	26
06390-3161	06390-3162	M16	27	23	45	37	14	28	2	17	33	48	145	148	15	26

LOW PROFILE ADJUSTABLE TENSION LEVERS

Steel | Male Threads | Flat and Angled | Inch



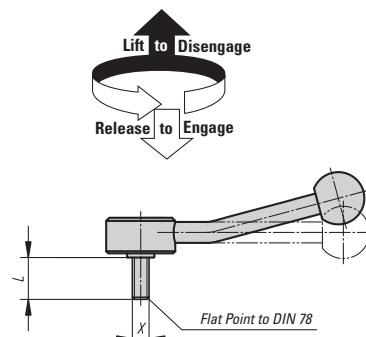
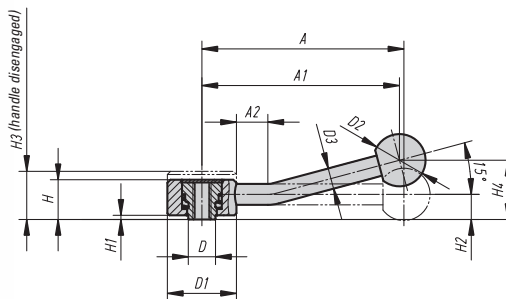
Pulling up on the handle disengages it from the spline and allows it to rotate freely for adjustment. Releasing the handle engages it for tightening or adjusting. They are made from steel with black oxide finish. Knob is plastic. Low profile for use in tight spaces.

INCH

Part # Flat	Part # Angled	X Thread	L	D	D1	D2	D3	H	H1	H2	H3	H4	A	A1	A2	No. Of Teeth
06400-1A31X20	06400-1A32X20	5/16-18	.79	.53	1.30	.98	.39	.75	.08	.47	.91	1.14	3.94	4.02	.59	20
06400-1A31X25	06400-1A32X25	5/16-18	.98	.53	1.30	.98	.39	.75	.08	.47	.91	1.14	3.94	4.02	.59	20
06400-1A31X30	06400-1A32X30	5/16-18	1.18	.53	1.30	.98	.39	.75	.08	.47	.91	1.14	3.94	4.02	.59	20
06400-1A31X40	06400-1A32X40	5/16-18	1.57	.53	1.30	.98	.39	.75	.08	.47	.91	1.14	3.94	4.02	.59	20
06400-1A31X50	06400-1A32X50	5/16-18	1.97	.53	1.30	.98	.39	.75	.08	.47	.91	1.14	3.94	4.02	.59	20
06400-1A31X60	06400-1A32X60	5/16-18	2.36	.53	1.30	.98	.39	.75	.08	.47	.91	1.14	3.94	4.02	.59	20
06400-1A41X20	06400-1A42X20	3/8-16	.79	.53	1.30	.98	.39	.75	.08	.47	.91	1.14	3.94	4.02	.59	20
06400-1A41X25	06400-1A42X25	3/8-16	.98	.53	1.30	.98	.39	.75	.08	.47	.91	1.14	3.94	4.02	.59	20
06400-1A41X30	06400-1A42X30	3/8-16	1.18	.53	1.30	.98	.39	.75	.08	.47	.91	1.14	3.94	4.02	.59	20
06400-1A41X40	06400-1A42X40	3/8-16	1.57	.53	1.30	.98	.39	.75	.08	.47	.91	1.14	3.94	4.02	.59	20
06400-1A41X50	06400-1A42X50	3/8-16	1.97	.53	1.30	.98	.39	.75	.08	.47	.91	1.14	3.94	4.02	.59	20
06400-1A41X60	06400-1A42X60	3/8-16	2.36	.53	1.30	.98	.39	.75	.08	.47	.91	1.14	3.94	4.02	.59	20
06400-2A41X20	06400-2A42X20	3/8-16	.79	.75	1.61	1.18	.47	.87	.08	.53	1.02	1.50	5.00	5.16	.59	24
06400-2A41X25	06400-2A42X25	3/8-16	.98	.75	1.61	1.18	.47	.87	.08	.53	1.02	1.50	5.00	5.16	.59	24
06400-2A41X30	06400-2A42X30	3/8-16	1.18	.75	1.61	1.18	.47	.87	.08	.53	1.02	1.50	5.00	5.16	.59	24
06400-2A41X40	06400-2A42X40	3/8-16	1.57	.75	1.61	1.18	.47	.87	.08	.53	1.02	1.50	5.00	5.16	.59	24
06400-2A41X50	06400-2A42X50	3/8-16	1.97	.75	1.61	1.18	.47	.87	.08	.53	1.02	1.50	5.00	5.16	.59	24
06400-2A41X60	06400-2A42X60	3/8-16	2.36	.75	1.61	1.18	.47	.87	.08	.53	1.02	1.50	5.00	5.16	.59	24
06400-2A51X20	06400-2A52X20	1/2-13	.79	.75	1.61	1.18	.47	.87	.08	.53	1.02	1.50	5.00	5.16	.59	24
06400-2A51X25	06400-2A52X25	1/2-13	.98	.75	1.61	1.18	.47	.87	.08	.53	1.02	1.50	5.00	5.16	.59	24
06400-2A51X30	06400-2A52X30	1/2-13	1.18	.75	1.61	1.18	.47	.87	.08	.53	1.02	1.50	5.00	5.16	.59	24
06400-2A51X40	06400-2A52X40	1/2-13	1.57	.75	1.61	1.18	.47	.87	.08	.53	1.02	1.50	5.00	5.16	.59	24
06400-2A51X50	06400-2A52X50	1/2-13	1.97	.75	1.61	1.18	.47	.87	.08	.53	1.02	1.50	5.00	5.16	.59	24
06400-2A51X60	06400-2A52X60	1/2-13	2.36	.75	1.61	1.18	.47	.87	.08	.53	1.02	1.50	5.00	5.16	.59	24
06400-3A51X20	06400-3A52X20	1/2-13	.79	.91	1.77	1.46	.55	1.10	.08	.67	1.30	1.89	5.71	5.83	.59	26
06400-3A51X25	06400-3A52X25	1/2-13	.98	.91	1.77	1.46	.55	1.10	.08	.67	1.30	1.89	5.71	5.83	.59	26
06400-3A51X30	06400-3A52X30	1/2-13	1.18	.91	1.77	1.46	.55	1.10	.08	.67	1.30	1.89	5.71	5.83	.59	26
06400-3A51X40	06400-3A52X40	1/2-13	1.57	.91	1.77	1.46	.55	1.10	.08	.67	1.30	1.89	5.71	5.83	.59	26
06400-3A51X50	06400-3A52X50	1/2-13	1.97	.91	1.77	1.46	.55	1.10	.08	.67	1.30	1.89	5.71	5.83	.59	26
06400-3A51X60	06400-3A52X60	1/2-13	2.36	.91	1.77	1.46	.55	1.10	.08	.67	1.30	1.89	5.71	5.83	.59	26
06400-3A61X20	06400-3A62X20	5/8-11	.79	.91	1.77	1.46	.55	1.10	.08	.67	1.30	1.89	5.71	5.83	.59	26
06400-3A61X25	06400-3A62X25	5/8-11	.98	.91	1.77	1.46	.55	1.10	.08	.67	1.30	1.89	5.71	5.83	.59	26
06400-3A61X30	06400-3A62X30	5/8-11	1.18	.91	1.77	1.46	.55	1.10	.08	.67	1.30	1.89	5.71	5.83	.59	26
06400-3A61X40	06400-3A62X40	5/8-11	1.57	.91	1.77	1.46	.55	1.10	.08	.67	1.30	1.89	5.71	5.83	.59	26
06400-3A61X50	06400-3A62X50	5/8-11	1.97	.91	1.77	1.46	.55	1.10	.08	.67	1.30	1.89	5.71	5.83	.59	26
06400-3A61X60	06400-3A62X60	5/8-11	2.36	.91	1.77	1.46	.55	1.10	.08	.67	1.30	1.89	5.71	5.83	.59	26

LOW PROFILE ADJUSTABLE TENSION LEVERS

Steel | Male Threads | Flat and Angled | Metric



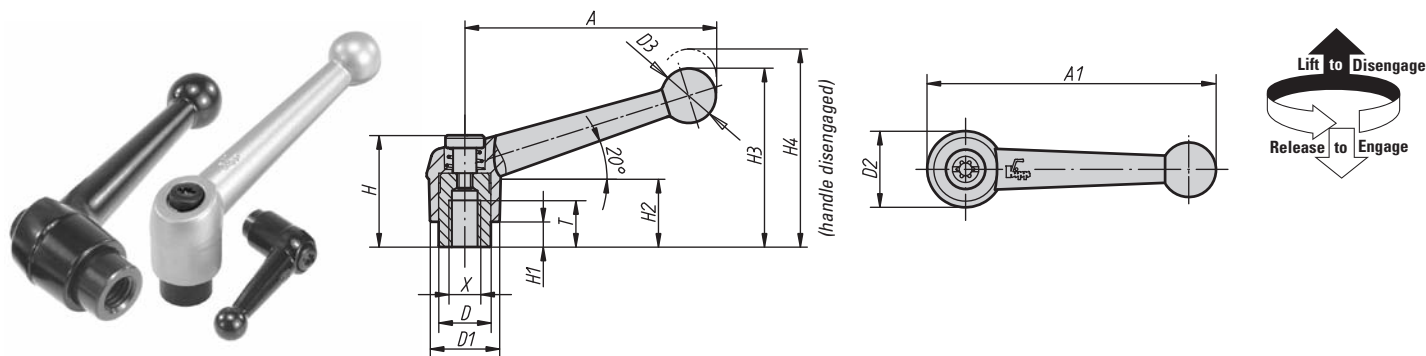
Pulling up on the handle disengages it from the spline and allows it to rotate freely for adjustment. Releasing the handle engages it for tightening or adjusting. They are made from steel with black oxide finish. Knob is plastic. Low profile for use in tight spaces.

METRIC

Part # Flat	Part # Angled	X Thread	L mm	D mm	D1 mm	D2 mm	D3 mm	H mm	H1 mm	H2 mm	H3 mm	H4 mm	A mm	A1 mm	A2 mm	No. Of Teeth
06400-1081X15	06400-1082X15	M8	15	13.5	33	25	10	19	2	12	23	29	100	102	15	20
06400-1081X20	06400-1082X20	M8	20	13.5	33	25	10	19	2	12	23	29	100	102	15	20
06400-1081X25	06400-1082X25	M8	25	13.5	33	25	10	19	2	12	23	29	100	102	15	20
06400-1081X30	06400-1082X30	M8	30	13.5	33	25	10	19	2	12	23	29	100	102	15	20
06400-1081X40	06400-1082X40	M8	40	13.5	33	25	10	19	2	12	23	29	100	102	15	20
06400-1081X50	06400-1082X50	M8	50	13.5	33	25	10	19	2	12	23	29	100	102	15	20
06400-1081X60	06400-1082X60	M8	60	13.5	33	25	10	19	2	12	23	29	100	102	15	20
06400-1101X15	06400-1102X15	M10	15	13.5	33	25	10	19	2	12	23	29	100	102	15	20
06400-1101X20	06400-1102X20	M10	20	13.5	33	25	10	19	2	12	23	29	100	102	15	20
06400-1101X25	06400-1102X25	M10	25	13.5	33	25	10	19	2	12	23	29	100	102	15	20
06400-1101X30	06400-1102X30	M10	30	13.5	33	25	10	19	2	12	23	29	100	102	15	20
06400-1101X40	06400-1102X40	M10	40	13.5	33	25	10	19	2	12	23	29	100	102	15	20
06400-1101X50	06400-1102X50	M10	50	13.5	33	25	10	19	2	12	23	29	100	102	15	20
06400-1101X60	06400-1102X60	M10	60	13.5	33	25	10	19	2	12	23	29	100	102	15	20
06400-2101X20	06400-2102X20	M10	20	19	41	30	12	22	2	13.5	26	38	127	131	15	24
06400-2101X25	06400-2102X25	M10	25	19	41	30	12	22	2	13.5	26	38	127	131	15	24
06400-2101X30	06400-2102X30	M10	30	19	41	30	12	22	2	13.5	26	38	127	131	15	24
06400-2101X40	06400-2102X40	M10	40	19	41	30	12	22	2	13.5	26	38	127	131	15	24
06400-2101X50	06400-2102X50	M10	50	19	41	30	12	22	2	13.5	26	38	127	131	15	24
06400-2101X60	06400-2102X60	M10	60	19	41	30	12	22	2	13.5	26	38	127	131	15	24
06400-2121X20	06400-2122X20	M12	20	19	41	30	12	22	2	13.5	26	38	127	131	15	24
06400-2121X25	06400-2122X25	M12	25	19	41	30	12	22	2	13.5	26	38	127	131	15	24
06400-2121X30	06400-2122X30	M12	30	19	41	30	12	22	2	13.5	26	38	127	131	15	24
06400-2121X40	06400-2122X40	M12	40	19	41	30	12	22	2	13.5	26	38	127	131	15	24
06400-2121X50	06400-2122X50	M12	50	19	41	30	12	22	2	13.5	26	38	127	131	15	24
06400-2121X60	06400-2122X60	M12	60	19	41	30	12	22	2	13.5	26	38	127	131	15	24
06400-3121X20	06400-3122X20	M12	20	23	45	37	14	28	2	17	33	48	145	148	15	26
06400-3121X25	06400-3122X25	M12	25	23	45	37	14	28	2	17	33	48	145	148	15	26
06400-3121X30	06400-3122X30	M12	30	23	45	37	14	28	2	17	33	48	145	148	15	26
06400-3121X40	06400-3122X40	M12	40	23	45	37	14	28	2	17	33	48	145	148	15	26
06400-3121X50	06400-3122X50	M12	50	23	45	37	14	28	2	17	33	48	145	148	15	26
06400-3121X60	06400-3122X60	M12	60	23	45	37	14	28	2	17	33	48	145	148	15	26
06400-3161X20	06400-3162X20	M16	20	23	45	37	14	28	2	17	33	48	145	148	15	26
06400-3161X25	06400-3162X25	M16	25	23	45	37	14	28	2	17	33	48	145	148	15	26
06400-3161X30	06400-3162X30	M16	30	23	45	37	14	28	2	17	33	48	145	148	15	26
06400-3161X40	06400-3162X40	M16	40	23	45	37	14	28	2	17	33	48	145	148	15	26
06400-3161X50	06400-3162X50	M16	50	23	45	37	14	28	2	17	33	48	145	148	15	26
06400-3161X60	06400-3162X60	M16	60	23	45	37	14	28	2	17	33	48	145	148	15	26

ADJUSTABLE CLAMP LEVERS

Zinc Die Cast | Female Threads | Steel Inserts | Inch and Metric



Pulling up on the handle disengages it from the spline and allows it to rotate freely for adjustment. Releasing the handle engages it for tightening or adjusting. The handle is made from zinc die cast and powder coated in either black satin or silver metallic finish. Internal parts are made from steel with black oxide finish.

INCH

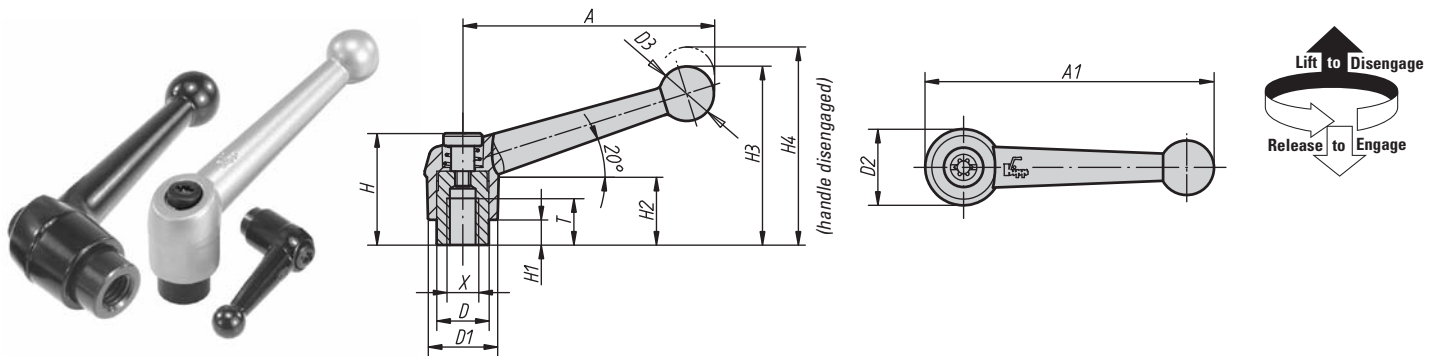
Part # Black	Part # Metallic	X Thread	T	D	D1	D2	D3	H	H1	H2	H3	H4	A	A1	No. Of Teeth
06410-1AE1	06410-1AE3	8-32	.35	.39	.51	.55	.41	.96	.16	.59	1.28	1.40	1.54	1.81	16
06410-1A01	06410-1A03	10-24	.35	.39	.51	.55	.41	.96	.16	.59	1.28	1.40	1.54	1.81	16
06410-1A21	06410-1A23	1/4-20	.35	.39	.51	.55	.41	.96	.16	.59	1.28	1.40	1.54	1.81	16
06410-2A21	06410-2A23	1/4-20	.47	.53	.71	.73	.61	1.12	.26	.65	1.79	1.95	2.52	2.87	20
06410-2A31	06410-2A33	5/16-18	.47	.53	.71	.73	.61	1.12	.26	.65	1.79	1.95	2.52	2.87	20
06410-3A31	06410-3A33	5/16-18	.55	.63	.83	.87	.67	1.46	.39	.91	2.26	2.42	3.11	3.54	22
06410-3A41	06410-3A43	3/8-16	.55	.63	.83	.87	.67	1.46	.39	.91	2.26	2.42	3.11	3.54	22
06410-4A41	06410-4A43	3/8-16	.67	.75	.98	1.02	.75	1.67	.39	1.02	2.64	2.83	3.74	4.25	24
06410-4A51	06410-4A53	1/2-13	.67	.75	.98	1.02	.75	1.67	.39	1.02	2.64	2.83	3.74	4.25	24
06410-5A51	06410-5A53	1/2-13	.91	.91	1.18	1.22	.87	1.93	.47	1.26	3.11	3.31	4.33	4.96	26
06410-5A61	06410-5A63	5/8-11	.91	.91	1.18	1.22	.87	1.93	.47	1.26	3.11	3.31	4.33	4.96	26

METRIC

Part # Black	Part # Metallic	X Thread	T mm	D mm	D1 mm	D2 mm	D3 mm	H mm	H1 mm	H2 mm	H3 mm	H4 mm	A mm	A1 mm	No. Of Teeth
06410-1041	06410-1043	M4	9	10	13	14	10.5	24.5	4	15	32.5	35.5	39	46	16
06410-1051	06410-1053	M5	9	10	13	14	10.5	24.5	4	15	32.5	35.5	39	46	16
06410-1061	06410-1063	M6	9	10	13	14	10.5	24.5	4	15	32.5	35.5	39	46	16
06410-2061	06410-2063	M6	12	13.5	18	18.5	15.5	28.5	6.5	16.5	45.5	49.5	64	73	20
06410-2081	06410-2083	M8	12	13.5	18	18.5	15.5	28.5	6.5	16.5	45.5	49.5	64	73	20
06410-3081	06410-3083	M8	14	16	21	22	17	37	10	23	57.5	61.5	79	90	22
06410-3101	06410-3103	M10	14	16	21	22	17	37	10	23	57.5	61.5	79	90	22
06410-4101	06410-4103	M10	17	19	25	26	19	42.5	10	26	67	72	95	108	24
06410-4121	06410-4123	M12	17	19	25	26	19	42.5	10	26	67	72	95	108	24
06410-5121	06410-5123	M12	23	23	30	31	22	49	12	32	79	84	110	126	26
06410-5161	06410-5163	M16	23	23	30	31	22	49	12	32	79	84	110	126	26

ADJUSTABLE CLAMP LEVERS

Zinc Die Cast | Female Threads | Stainless Steel Inserts | Inch and Metric



Pulling up on the handle disengages it from the spline and allows it to rotate freely for adjustment. Releasing the handle engages it for tightening or adjusting. The handle is made from zinc die cast and powder coated in either black satin or silver metallic finish. Internal parts are made from stainless steel.

INCH

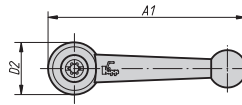
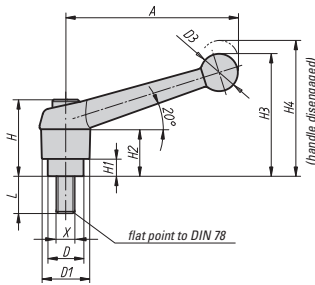
Part # Black	Part # Metallic	X Thread	T	D	D1	D2	D3	H	H1	H2	H3	H4	A	A1	No. Of Teeth
06411-1A01	06411-1A03	10-24	.35	.39	.51	.55	.41	.96	.16	.59	1.28	1.40	1.54	1.81	16
06411-1A21	06411-1A23	1/4-20	.35	.39	.51	.55	.41	.96	.16	.59	1.28	1.40	1.54	1.81	16
06411-2A21	06411-2A23	1/4-20	.47	.53	.71	.73	.61	1.12	.26	.65	1.79	1.95	2.52	2.87	20
06411-2A31	06411-2A33	5/16-18	.47	.53	.71	.73	.61	1.12	.26	.65	1.79	1.95	2.52	2.87	20
06411-3A31	06411-3A33	5/16-18	.55	.63	.83	.87	.67	1.46	.39	.91	2.26	2.42	3.11	3.54	22
06411-3A41	06411-3A43	3/8-16	.55	.63	.83	.87	.67	1.46	.39	.91	2.26	2.42	3.11	3.54	22
06411-4A41	06411-4A43	3/8-16	.67	.75	.98	1.02	.75	1.67	.39	1.02	2.64	2.83	3.74	4.25	24
06411-4A51	06411-4A53	1/2-13	.67	.75	.98	1.02	.75	1.67	.39	1.02	2.64	2.83	3.74	4.25	24
06411-5A51	06411-5A53	1/2-13	.91	.91	1.18	1.22	.87	1.93	.47	1.26	3.11	3.31	4.33	4.96	26
06411-5A61	06411-5A63	5/8-11	.91	.91	1.18	1.22	.87	1.93	.47	1.26	3.11	3.31	4.33	4.96	26

METRIC

Part # Black	Part # Metallic	X Thread	T mm	D mm	D1 mm	D2 mm	D3 mm	H mm	H1 mm	H2 mm	H3 mm	H4 mm	A mm	A1 mm	No. Of Teeth
06411-1051	06411-1053	M5	9	10	13	14	10.5	24.5	4	15	32.5	35.5	39	46	16
06411-1061	06411-1063	M6	9	10	13	14	10.5	24.5	4	15	32.5	35.5	39	46	16
06411-2061	06411-2063	M6	12	13.5	18	18.5	15.5	28.5	6.5	16.5	45.5	49.5	64	73	20
06411-2081	06411-2083	M8	12	13.5	18	18.5	15.5	28.5	6.5	16.5	45.5	49.5	64	73	20
06411-3081	06411-3083	M8	14	16	21	22	17	37	10	23	57.5	61.5	79	90	22
06411-3101	06411-3103	M10	14	16	21	22	17	37	10	23	57.5	61.5	79	90	22
06411-4101	06411-4103	M10	17	19	25	26	19	42.5	10	26	67	72	95	108	24
06411-4121	06411-4123	M12	17	19	25	26	19	42.5	10	26	67	72	95	108	24
06411-5121	06411-5123	M12	23	23	30	31	22	49	12	32	79	84	110	126	26
06411-5161	06411-5163	M16	23	23	30	31	22	49	12	32	79	84	110	126	26

ADJUSTABLE CLAMP LEVERS

Zinc Die Cast | Male Threads | Steel Studs | Inch



Pulling up on the handle disengages it from the spline and allows it to rotate freely for adjustment. Releasing the handle engages it for tightening or adjusting. The handle is made from zinc die cast and powder coated in either black satin or silver metallic finish. Internal parts and studs are made from steel with black oxide finish.

INCH

Part # Black	Part # Metallic	X Thread	L	D	D1	D2	D3	H	H1	H2	H3	H4	A	A1	No. Of Teeth
06430-1A01X10	06430-1A03X10	10-24	.39	.39	.51	.55	.41	.96	.16	.59	1.28	1.40	1.54	1.81	16
06430-1A01X15	06430-1A03X15	10-24	.59	.39	.51	.55	.41	.96	.16	.59	1.28	1.40	1.54	1.81	16
06430-1A01X20	06430-1A03X20	10-24	.79	.39	.51	.55	.41	.96	.16	.59	1.28	1.40	1.54	1.81	16
06430-1A01X25	06430-1A03X25	10-24	.98	.39	.51	.55	.41	.96	.16	.59	1.28	1.40	1.54	1.81	16
06430-1A01X30	06430-1A03X30	10-24	1.18	.39	.51	.55	.41	.96	.16	.59	1.28	1.40	1.54	1.81	16
06430-1A01X35	06430-1A03X35	10-24	1.38	.39	.51	.55	.41	.96	.16	.59	1.28	1.40	1.54	1.81	16
06430-1A01X40	06430-1A03X40	10-24	1.57	.39	.51	.55	.41	.96	.16	.59	1.28	1.40	1.54	1.81	16
06430-1A01X45	06430-1A03X45	10-24	1.77	.39	.51	.55	.41	.96	.16	.59	1.28	1.40	1.54	1.81	16
06430-1A01X50	06430-1A03X50	10-24	1.97	.39	.51	.55	.41	.96	.16	.59	1.28	1.40	1.54	1.81	16
06430-1A21X10	06430-1A23X10	1/4-20	.39	.39	.51	.55	.41	.96	.16	.59	1.28	1.40	1.54	1.81	16
06430-1A21X15	06430-1A23X15	1/4-20	.59	.39	.51	.55	.41	.96	.16	.59	1.28	1.40	1.54	1.81	16
06430-1A21X20	06430-1A23X20	1/4-20	.79	.39	.51	.55	.41	.96	.16	.59	1.28	1.40	1.54	1.81	16
06430-1A21X25	06430-1A23X25	1/4-20	.98	.39	.51	.55	.41	.96	.16	.59	1.28	1.40	1.54	1.81	16
06430-1A21X30	06430-1A23X30	1/4-20	1.18	.39	.51	.55	.41	.96	.16	.59	1.28	1.40	1.54	1.81	16
06430-1A21X35	06430-1A23X35	1/4-20	1.38	.39	.51	.55	.41	.96	.16	.59	1.28	1.40	1.54	1.81	16
06430-1A21X40	06430-1A23X40	1/4-20	1.57	.39	.51	.55	.41	.96	.16	.59	1.28	1.40	1.54	1.81	16
06430-1A21X45	06430-1A23X45	1/4-20	1.77	.39	.51	.55	.41	.96	.16	.59	1.28	1.40	1.54	1.81	16
06430-1A21X50	06430-1A23X50	1/4-20	1.97	.39	.51	.55	.41	.96	.16	.59	1.28	1.40	1.54	1.81	16
06430-2A21X15	06430-2A23X15	1/4-20	.59	.53	.71	.73	.61	1.12	.26	.65	1.79	1.95	2.52	2.87	20
06430-2A21X20	06430-2A23X20	1/4-20	.79	.53	.71	.73	.61	1.12	.26	.65	1.79	1.95	2.52	2.87	20
06430-2A21X25	06430-2A23X25	1/4-20	.98	.53	.71	.73	.61	1.12	.26	.65	1.79	1.95	2.52	2.87	20
06430-2A21X30	06430-2A23X30	1/4-20	1.18	.53	.71	.73	.61	1.12	.26	.65	1.79	1.95	2.52	2.87	20
06430-2A21X35	06430-2A23X35	1/4-20	1.38	.53	.71	.73	.61	1.12	.26	.65	1.79	1.95	2.52	2.87	20
06430-2A21X40	06430-2A23X40	1/4-20	1.57	.53	.71	.73	.61	1.12	.26	.65	1.79	1.95	2.52	2.87	20
06430-2A21X45	06430-2A23X45	1/4-20	1.77	.53	.71	.73	.61	1.12	.26	.65	1.79	1.95	2.52	2.87	20
06430-2A21X50	06430-2A23X50	1/4-20	1.97	.53	.71	.73	.61	1.12	.26	.65	1.79	1.95	2.52	2.87	20
06430-2A21X55	06430-2A23X55	1/4-20	2.17	.53	.71	.73	.61	1.12	.26	.65	1.79	1.95	2.52	2.87	20
06430-2A21X60	06430-2A23X60	1/4-20	2.36	.53	.71	.73	.61	1.12	.26	.65	1.79	1.95	2.52	2.87	20
06430-2A31X15	06430-2A33X15	5/16-18	.59	.53	.71	.73	.61	1.12	.26	.65	1.79	1.95	2.52	2.87	20
06430-2A31X20	06430-2A33X20	5/16-18	.79	.53	.71	.73	.61	1.12	.26	.65	1.79	1.95	2.52	2.87	20
06430-2A31X25	06430-2A33X25	5/16-18	.98	.53	.71	.73	.61	1.12	.26	.65	1.79	1.95	2.52	2.87	20
06430-2A31X30	06430-2A33X30	5/16-18	1.18	.53	.71	.73	.61	1.12	.26	.65	1.79	1.95	2.52	2.87	20
06430-2A31X35	06430-2A33X35	5/16-18	1.38	.53	.71	.73	.61	1.12	.26	.65	1.79	1.95	2.52	2.87	20
06430-2A31X40	06430-2A33X40	5/16-18	1.57	.53	.71	.73	.61	1.12	.26	.65	1.79	1.95	2.52	2.87	20
06430-2A31X45	06430-2A33X45	5/16-18	1.77	.53	.71	.73	.61	1.12	.26	.65	1.79	1.95	2.52	2.87	20
06430-2A31X50	06430-2A33X50	5/16-18	1.97	.53	.71	.73	.61	1.12	.26	.65	1.79	1.95	2.52	2.87	20
06430-2A31X55	06430-2A33X55	5/16-18	2.17	.53	.71	.73	.61	1.12	.26	.65	1.79	1.95	2.52	2.87	20
06430-2A31X60	06430-2A33X60	5/16-18	2.36	.53	.71	.73	.61	1.12	.26	.65	1.79	1.95	2.52	2.87	20
06430-2A41X15	06430-2A43X15	3/8-16	.59	.53	.71	.73	.61	1.12	.26	.65	1.79	1.95	2.52	2.87	20
06430-2A41X20	06430-2A43X20	3/8-16	.79	.53	.71	.73	.61	1.12	.26	.65	1.79	1.95	2.52	2.87	20
06430-2A41X25	06430-2A43X25	3/8-16	.98	.53	.71	.73	.61	1.12	.26	.65	1.79	1.95	2.52	2.87	20
06430-2A41X30	06430-2A43X30	3/8-16	1.18	.53	.71	.73	.61	1.12	.26	.65	1.79	1.95	2.52	2.87	20
06430-2A41X35	06430-2A43X35	3/8-16	1.38	.53	.71	.73	.61	1.12	.26	.65	1.79	1.95	2.52	2.87	20
06430-2A41X40	06430-2A43X40	3/8-16	1.57	.53	.71	.73	.61	1.12	.26	.65	1.79	1.95	2.52	2.87	20
06430-2A41X45	06430-2A43X45	3/8-16	1.77	.53	.71	.73	.61	1.12	.26	.65	1.79	1.95	2.52	2.87	20
06430-2A41X50	06430-2A43X50	3/8-16	1.97	.53	.71	.73	.61	1.12	.26	.65	1.79	1.95	2.52	2.87	20
06430-2A41X55	06430-2A43X55	3/8-16	2.17	.53	.71	.73	.61	1.12	.26	.65	1.79	1.95	2.52	2.87	20
06430-2A41X60	06430-2A43X60	3/8-16	2.36	.53	.71	.73	.61	1.12	.26	.65	1.79	1.95	2.52	2.87	20

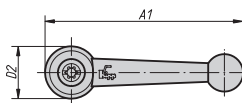
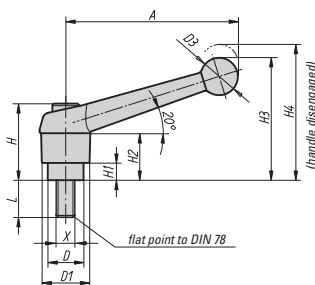
ADJUSTABLE CLAMP LEVERS

Zinc Die Cast | Male Threads | Steel Studs | Inch (continued)

Part # Black	Part # Metallic	X Thread	L	D	D1	D2	D3	H	H1	H2	H3	H4	A	A1	No. Of Teeth
06430-3A31X15	06430-3A33X15	5/16-18	.59	.63	.83	.87	.67	1.46	.39	.91	2.26	2.42	3.11	3.54	22
06430-3A31X20	06430-3A33X20	5/16-18	.79	.63	.83	.87	.67	1.46	.39	.91	2.26	2.42	3.11	3.54	22
06430-3A31X25	06430-3A33X25	5/16-18	.98	.63	.83	.87	.67	1.46	.39	.91	2.26	2.42	3.11	3.54	22
06430-3A31X30	06430-3A33X30	5/16-18	1.18	.63	.83	.87	.67	1.46	.39	.91	2.26	2.42	3.11	3.54	22
06430-3A31X35	06430-3A33X35	5/16-18	1.38	.63	.83	.87	.67	1.46	.39	.91	2.26	2.42	3.11	3.54	22
06430-3A31X40	06430-3A33X40	5/16-18	1.57	.63	.83	.87	.67	1.46	.39	.91	2.26	2.42	3.11	3.54	22
06430-3A31X45	06430-3A33X45	5/16-18	1.77	.63	.83	.87	.67	1.46	.39	.91	2.26	2.42	3.11	3.54	22
06430-3A31X50	06430-3A33X50	5/16-18	1.97	.63	.83	.87	.67	1.46	.39	.91	2.26	2.42	3.11	3.54	22
06430-3A31X55	06430-3A33X55	5/16-18	2.17	.63	.83	.87	.67	1.46	.39	.91	2.26	2.42	3.11	3.54	22
06430-3A31X60	06430-3A33X60	5/16-18	2.36	.63	.83	.87	.67	1.46	.39	.91	2.26	2.42	3.11	3.54	22
06430-3A41X15	06430-3A43X15	3/8-16	.59	.63	.83	.87	.67	1.46	.39	.91	2.26	2.42	3.11	3.54	22
06430-3A41X20	06430-3A43X20	3/8-16	.79	.63	.83	.87	.67	1.46	.39	.91	2.26	2.42	3.11	3.54	22
06430-3A41X25	06430-3A43X25	3/8-16	.98	.63	.83	.87	.67	1.46	.39	.91	2.26	2.42	3.11	3.54	22
06430-3A41X30	06430-3A43X30	3/8-16	1.18	.63	.83	.87	.67	1.46	.39	.91	2.26	2.42	3.11	3.54	22
06430-3A41X35	06430-3A43X35	3/8-16	1.38	.63	.83	.87	.67	1.46	.39	.91	2.26	2.42	3.11	3.54	22
06430-3A41X40	06430-3A43X40	3/8-16	1.57	.63	.83	.87	.67	1.46	.39	.91	2.26	2.42	3.11	3.54	22
06430-3A41X45	06430-3A43X45	3/8-16	1.77	.63	.83	.87	.67	1.46	.39	.91	2.26	2.42	3.11	3.54	22
06430-3A41X50	06430-3A43X50	3/8-16	1.97	.63	.83	.87	.67	1.46	.39	.91	2.26	2.42	3.11	3.54	22
06430-3A41X55	06430-3A43X55	3/8-16	2.17	.63	.83	.87	.67	1.46	.39	.91	2.26	2.42	3.11	3.54	22
06430-3A41X60	06430-3A43X60	3/8-16	2.36	.63	.83	.87	.67	1.46	.39	.91	2.26	2.42	3.11	3.54	22
06430-4A41X20	06430-4A43X20	3/8-16	.79	.75	.98	1.02	.75	1.67	.39	1.02	2.64	2.83	3.74	4.25	24
06430-4A41X25	06430-4A43X25	3/8-16	.98	.75	.98	1.02	.75	1.67	.39	1.02	2.64	2.83	3.74	4.25	24
06430-4A41X30	06430-4A43X30	3/8-16	1.18	.75	.98	1.02	.75	1.67	.39	1.02	2.64	2.83	3.74	4.25	24
06430-4A41X35	06430-4A43X35	3/8-16	1.38	.75	.98	1.02	.75	1.67	.39	1.02	2.64	2.83	3.74	4.25	24
06430-4A41X40	06430-4A43X40	3/8-16	1.57	.75	.98	1.02	.75	1.67	.39	1.02	2.64	2.83	3.74	4.25	24
06430-4A41X45	06430-4A43X45	3/8-16	1.77	.75	.98	1.02	.75	1.67	.39	1.02	2.64	2.83	3.74	4.25	24
06430-4A41X50	06430-4A43X50	3/8-16	1.97	.75	.98	1.02	.75	1.67	.39	1.02	2.64	2.83	3.74	4.25	24
06430-4A41X55	06430-4A43X55	3/8-16	2.17	.75	.98	1.02	.75	1.67	.39	1.02	2.64	2.83	3.74	4.25	24
06430-4A41X60	06430-4A43X60	3/8-16	2.36	.75	.98	1.02	.75	1.67	.39	1.02	2.64	2.83	3.74	4.25	24
06430-4A41X70	06430-4A43X70	3/8-16	2.76	.75	.98	1.02	.75	1.67	.39	1.02	2.64	2.83	3.74	4.25	24
06430-4A41X80	06430-4A43X80	3/8-16	3.15	.75	.98	1.02	.75	1.67	.39	1.02	2.64	2.83	3.74	4.25	24
06430-4A41X90	06430-4A43X90	3/8-16	3.54	.75	.98	1.02	.75	1.67	.39	1.02	2.64	2.83	3.74	4.25	24
06430-4A51X20	06430-4A53X20	1/2-13	.79	.75	.98	1.02	.75	1.67	.39	1.02	2.64	2.83	3.74	4.25	24
06430-4A51X25	06430-4A53X25	1/2-13	.98	.75	.98	1.02	.75	1.67	.39	1.02	2.64	2.83	3.74	4.25	24
06430-4A51X30	06430-4A53X30	1/2-13	1.18	.75	.98	1.02	.75	1.67	.39	1.02	2.64	2.83	3.74	4.25	24
06430-4A51X35	06430-4A53X35	1/2-13	1.38	.75	.98	1.02	.75	1.67	.39	1.02	2.64	2.83	3.74	4.25	24
06430-4A51X40	06430-4A53X40	1/2-13	1.57	.75	.98	1.02	.75	1.67	.39	1.02	2.64	2.83	3.74	4.25	24
06430-4A51X45	06430-4A53X45	1/2-13	1.77	.75	.98	1.02	.75	1.67	.39	1.02	2.64	2.83	3.74	4.25	24
06430-4A51X50	06430-4A53X50	1/2-13	1.97	.75	.98	1.02	.75	1.67	.39	1.02	2.64	2.83	3.74	4.25	24
06430-4A51X55	06430-4A53X55	1/2-13	2.17	.75	.98	1.02	.75	1.67	.39	1.02	2.64	2.83	3.74	4.25	24
06430-4A51X60	06430-4A53X60	1/2-13	2.36	.75	.98	1.02	.75	1.67	.39	1.02	2.64	2.83	3.74	4.25	24
06430-4A51X70	06430-4A53X70	1/2-13	2.76	.75	.98	1.02	.75	1.67	.39	1.02	2.64	2.83	3.74	4.25	24
06430-4A51X80	06430-4A53X80	1/2-13	3.15	.75	.98	1.02	.75	1.67	.39	1.02	2.64	2.83	3.74	4.25	24
06430-4A51X90	06430-4A53X90	1/2-13	3.54	.75	.98	1.02	.75	1.67	.39	1.02	2.64	2.83	3.74	4.25	24
06430-5A51X25	06430-5A53X25	1/2-13	.98	.91	1.18	1.22	.87	1.93	.47	1.26	3.11	3.31	4.33	4.96	26
06430-5A51X30	06430-5A53X30	1/2-13	1.18	.91	1.18	1.22	.87	1.93	.47	1.26	3.11	3.31	4.33	4.96	26
06430-5A51X35	06430-5A53X35	1/2-13	1.38	.91	1.18	1.22	.87	1.93	.47	1.26	3.11	3.31	4.33	4.96	26
06430-5A51X40	06430-5A53X40	1/2-13	1.57	.91	1.18	1.22	.87	1.93	.47	1.26	3.11	3.31	4.33	4.96	26
06430-5A51X45	06430-5A53X45	1/2-13	1.77	.91	1.18	1.22	.87	1.93	.47	1.26	3.11	3.31	4.33	4.96	26
06430-5A51X50	06430-5A53X50	1/2-13	1.97	.91	1.18	1.22	.87	1.93	.47	1.26	3.11	3.31	4.33	4.96	26
06430-5A51X55	06430-5A53X55	1/2-13	2.17	.91	1.18	1.22	.87	1.93	.47	1.26	3.11	3.31	4.33	4.96	26
06430-5A51X60	06430-5A53X60	1/2-13	2.36	.91	1.18	1.22	.87	1.93	.47	1.26	3.11	3.31	4.33	4.96	26
06430-5A51X70	06430-5A53X70	1/2-13	2.76	.91	1.18	1.22	.87	1.93	.47	1.26	3.11	3.31	4.33	4.96	26
06430-5A51X80	06430-5A53X80	1/2-13	3.15	.91	1.18	1.22	.87	1.93	.47	1.26	3.11	3.31	4.33	4.96	26
06430-5A51X90	06430-5A53X90	1/2-13	3.54	.91	1.18	1.22	.87	1.93	.47	1.26	3.11	3.31	4.33	4.96	26
06430-5A61X25	06430-5A63X25	5/8-11	.98	.91	1.18	1.22	.87	1.93	.47	1.26	3.11	3.31	4.33	4.96	26
06430-5A61X30	06430-5A63X30	5/8-11	1.18	.91	1.18	1.22	.87	1.93	.47	1.26	3.11	3.31	4.33	4.96	26
06430-5A61X35	06430-5A63X35	5/8-11	1.38	.91	1.18	1.22	.87	1.93	.47	1.26	3.11	3.31	4.33	4.96	26
06430-5A61X40	06430-5A63X40	5/8-11	1.57	.91	1.18	1.22	.87	1.93	.47	1.26	3.11	3.31	4.33	4.96	26
06430-5A61X45	06430-5A63X45	5/8-11	1.77	.91	1.18	1.22	.87	1.93	.47	1.26	3.11	3.31	4.33	4.96	26
06430-5A61X50	06430-5A63X50	5/8-11	1.97	.91	1.18	1.22	.87	1.93	.47	1.26	3.11	3.31	4.33	4.96	26
06430-5A61X55	06430-5A63X55	5/8-11	2.17	.91	1.18	1.22	.87	1.93	.47	1.26	3.11	3.31	4.33	4.96	26
06430-5A61X60	06430-5A63X60	5/8-11	2.36	.91	1.18	1.22	.87	1.93	.47	1.26	3.11	3.31	4.33	4.96	26
06430-5A61X70	06430-5A63X70	5/8-11	2.76	.91	1.18	1.22	.87	1.93	.47	1.26	3.11	3.31	4.33	4.96	26
06430-5A61X80	06430-5A63X80	5/8-11	3.15	.91	1.18	1.22	.87	1.93	.47	1.26	3.11	3.31	4.33	4.96	26
06430-5A61X90	06430-5A63X90	5/8-11	3.54	.91	1.18	1.22	.87	1.93	.47	1.26	3.11	3.31	4.33	4.96	26

ADJUSTABLE CLAMP LEVERS

Zinc Die Cast | Male Threads | Steel Studs | Metric



Pulling up on the handle disengages it from the spline and allows it to rotate freely for adjustment. Releasing the handle engages it for tightening or adjusting. The handle is made from zinc die cast and powder coated in either black satin or silver metallic finish. Internal parts and studs are made from steel with black oxide finish.

METRIC

Part # Black	Part # Metallic	X Thread	L mm	D mm	D1 mm	D2 mm	D3 mm	H mm	H1 mm	H2 mm	H3 mm	H4 mm	A mm	A1 mm	No. Of Teeth
06430-1051X10	06430-1053X10	M5	10	10	13	14	10.5	24.5	4	15	32.5	35.5	39	46	16
06430-1051X15	06430-1053X15	M5	15	10	13	14	10.5	24.5	4	15	32.5	35.5	39	46	16
06430-1051X20	06430-1053X20	M5	20	10	13	14	10.5	24.5	4	15	32.5	35.5	39	46	16
06430-1051X25	06430-1053X25	M5	25	10	13	14	10.5	24.5	4	15	32.5	35.5	39	46	16
06430-1051X30	06430-1053X30	M5	30	10	13	14	10.5	24.5	4	15	32.5	35.5	39	46	16
06430-1051X35	06430-1053X35	M5	35	10	13	14	10.5	24.5	4	15	32.5	35.5	39	46	16
06430-1051X40	06430-1053X40	M5	40	10	13	14	10.5	24.5	4	15	32.5	35.5	39	46	16
06430-1051X45	06430-1053X45	M5	45	10	13	14	10.5	24.5	4	15	32.5	35.5	39	46	16
06430-1051X50	06430-1053X50	M5	50	10	13	14	10.5	24.5	4	15	32.5	35.5	39	46	16
06430-1061X10	06430-1063X10	M6	10	10	13	14	10.5	24.5	4	15	32.5	35.5	39	46	16
06430-1061X15	06430-1063X15	M6	15	10	13	14	10.5	24.5	4	15	32.5	35.5	39	46	16
06430-1061X20	06430-1063X20	M6	20	10	13	14	10.5	24.5	4	15	32.5	35.5	39	46	16
06430-1061X25	06430-1063X25	M6	25	10	13	14	10.5	24.5	4	15	32.5	35.5	39	46	16
06430-1061X30	06430-1063X30	M6	30	10	13	14	10.5	24.5	4	15	32.5	35.5	39	46	16
06430-1061X35	06430-1063X35	M6	35	10	13	14	10.5	24.5	4	15	32.5	35.5	39	46	16
06430-1061X40	06430-1063X40	M6	40	10	13	14	10.5	24.5	4	15	32.5	35.5	39	46	16
06430-1061X45	06430-1063X45	M6	45	10	13	14	10.5	24.5	4	15	32.5	35.5	39	46	16
06430-1061X50	06430-1063X50	M6	50	10	13	14	10.5	24.5	4	15	32.5	35.5	39	46	16
06430-2061X15	06430-2063X15	M6	15	13.5	18	18.5	15.5	28.5	6.5	16.5	45.5	49.5	64	73	20
06430-2061X20	06430-2063X20	M6	20	13.5	18	18.5	15.5	28.5	6.5	16.5	45.5	49.5	64	73	20
06430-2061X25	06430-2063X25	M6	25	13.5	18	18.5	15.5	28.5	6.5	16.5	45.5	49.5	64	73	20
06430-2061X30	06430-2063X30	M6	30	13.5	18	18.5	15.5	28.5	6.5	16.5	45.5	49.5	64	73	20
06430-2061X35	06430-2063X35	M6	35	13.5	18	18.5	15.5	28.5	6.5	16.5	45.5	49.5	64	73	20
06430-2061X40	06430-2063X40	M6	40	13.5	18	18.5	15.5	28.5	6.5	16.5	45.5	49.5	64	73	20
06430-2061X45	06430-2063X45	M6	45	13.5	18	18.5	15.5	28.5	6.5	16.5	45.5	49.5	64	73	20
06430-2061X50	06430-2063X50	M6	50	13.5	18	18.5	15.5	28.5	6.5	16.5	45.5	49.5	64	73	20
06430-2061X55	06430-2063X55	M6	55	13.5	18	18.5	15.5	28.5	6.5	16.5	45.5	49.5	64	73	20
06430-2061X60	06430-2063X60	M6	60	13.5	18	18.5	15.5	28.5	6.5	16.5	45.5	49.5	64	73	20
06430-2081X15	06430-2083X15	M8	15	13.5	18	18.5	15.5	28.5	6.5	16.5	45.5	49.5	64	73	20
06430-2081X20	06430-2083X20	M8	20	13.5	18	18.5	15.5	28.5	6.5	16.5	45.5	49.5	64	73	20
06430-2081X25	06430-2083X25	M8	25	13.5	18	18.5	15.5	28.5	6.5	16.5	45.5	49.5	64	73	20
06430-2081X30	06430-2083X30	M8	30	13.5	18	18.5	15.5	28.5	6.5	16.5	45.5	49.5	64	73	20
06430-2081X35	06430-2083X35	M8	35	13.5	18	18.5	15.5	28.5	6.5	16.5	45.5	49.5	64	73	20
06430-2081X40	06430-2083X40	M8	40	13.5	18	18.5	15.5	28.5	6.5	16.5	45.5	49.5	64	73	20
06430-2081X45	06430-2083X45	M8	45	13.5	18	18.5	15.5	28.5	6.5	16.5	45.5	49.5	64	73	20
06430-2081X50	06430-2083X50	M8	50	13.5	18	18.5	15.5	28.5	6.5	16.5	45.5	49.5	64	73	20
06430-2081X55	06430-2083X55	M8	55	13.5	18	18.5	15.5	28.5	6.5	16.5	45.5	49.5	64	73	20
06430-2081X60	06430-2083X60	M8	60	13.5	18	18.5	15.5	28.5	6.5	16.5	45.5	49.5	64	73	20
06430-2101X15	06430-2103X15	M10	15	13.5	18	18.5	15.5	28.5	6.5	16.5	45.5	49.5	64	73	20
06430-2101X20	06430-2103X20	M10	20	13.5	18	18.5	15.5	28.5	6.5	16.5	45.5	49.5	64	73	20
06430-2101X25	06430-2103X25	M10	25	13.5	18	18.5	15.5	28.5	6.5	16.5	45.5	49.5	64	73	20
06430-2101X30	06430-2103X30	M10	30	13.5	18	18.5	15.5	28.5	6.5	16.5	45.5	49.5	64	73	20
06430-2101X35	06430-2103X35	M10	35	13.5	18	18.5	15.5	28.5	6.5	16.5	45.5	49.5	64	73	20
06430-2101X40	06430-2103X40	M10	40	13.5	18	18.5	15.5	28.5	6.5	16.5	45.5	49.5	64	73	20
06430-2101X45	06430-2103X45	M10	45	13.5	18	18.5	15.5	28.5	6.5	16.5	45.5	49.5	64	73	20
06430-2101X50	06430-2103X50	M10	50	13.5	18	18.5	15.5	28.5	6.5	16.5	45.5	49.5	64	73	20
06430-2101X55	06430-2103X55	M10	55	13.5	18	18.5	15.5	28.5	6.5	16.5	45.5	49.5	64	73	20
06430-2101X60	06430-2103X60	M10	60	13.5	18	18.5	15.5	28.5	6.5	16.5	45.5	49.5	64	73	20

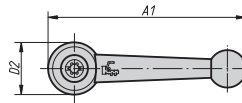
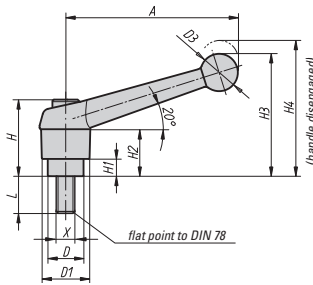
ADJUSTABLE CLAMP LEVERS

Zinc Die Cast | Male Threads | Steel Studs | Metric (continued)

Part # Black	Part # Metallic	X Thread	L mm	D mm	D1 mm	D2 mm	D3 mm	H mm	H1 mm	H2 mm	H3 mm	H4 mm	A mm	A1 mm	No. Of Teeth
06430-3081X15	06430-3083X15	M8	15	16	21	22	17	37	10	23	57.5	61.5	79	90	22
06430-3081X20	06430-3083X20	M8	20	16	21	22	17	37	10	23	57.5	61.5	79	90	22
06430-3081X25	06430-3083X25	M8	25	16	21	22	17	37	10	23	57.5	61.5	79	90	22
06430-3081X30	06430-3083X30	M8	30	16	21	22	17	37	10	23	57.5	61.5	79	90	22
06430-3081X35	06430-3083X35	M8	35	16	21	22	17	37	10	23	57.5	61.5	79	90	22
06430-3081X40	06430-3083X40	M8	40	16	21	22	17	37	10	23	57.5	61.5	79	90	22
06430-3081X45	06430-3083X45	M8	45	16	21	22	17	37	10	23	57.5	61.5	79	90	22
06430-3081X50	06430-3083X50	M8	50	16	21	22	17	37	10	23	57.5	61.5	79	90	22
06430-3081X55	06430-3083X55	M8	55	16	21	22	17	37	10	23	57.5	61.5	79	90	22
06430-3081X60	06430-3083X60	M8	60	16	21	22	17	37	10	23	57.5	61.5	79	90	22
06430-3101X15	06430-3103X15	M10	15	16	21	22	17	37	10	23	57.5	61.5	79	90	22
06430-3101X20	06430-3103X20	M10	20	16	21	22	17	37	10	23	57.5	61.5	79	90	22
06430-3101X25	06430-3103X25	M10	25	16	21	22	17	37	10	23	57.5	61.5	79	90	22
06430-3101X30	06430-3103X30	M10	30	16	21	22	17	37	10	23	57.5	61.5	79	90	22
06430-3101X35	06430-3103X35	M10	35	16	21	22	17	37	10	23	57.5	61.5	79	90	22
06430-3101X40	06430-3103X40	M10	40	16	21	22	17	37	10	23	57.5	61.5	79	90	22
06430-3101X45	06430-3103X45	M10	45	16	21	22	17	37	10	23	57.5	61.5	79	90	22
06430-3101X50	06430-3103X50	M10	50	16	21	22	17	37	10	23	57.5	61.5	79	90	22
06430-3101X55	06430-3103X55	M10	55	16	21	22	17	37	10	23	57.5	61.5	79	90	22
06430-3101X60	06430-3103X60	M10	60	16	21	22	17	37	10	23	57.5	61.5	79	90	22
06430-4101X20	06430-4103X20	M10	20	19	25	26	19	42.5	10	26	67	72	95	108	24
06430-4101X25	06430-4103X25	M10	25	19	25	26	19	42.5	10	26	67	72	95	108	24
06430-4101X30	06430-4103X30	M10	30	19	25	26	19	42.5	10	26	67	72	95	108	24
06430-4101X35	06430-4103X35	M10	35	19	25	26	19	42.5	10	26	67	72	95	108	24
06430-4101X40	06430-4103X40	M10	40	19	25	26	19	42.5	10	26	67	72	95	108	24
06430-4101X45	06430-4103X45	M10	45	19	25	26	19	42.5	10	26	67	72	95	108	24
06430-4101X50	06430-4103X50	M10	50	19	25	26	19	42.5	10	26	67	72	95	108	24
06430-4101X55	06430-4103X55	M10	55	19	25	26	19	42.5	10	26	67	72	95	108	24
06430-4101X60	06430-4103X60	M10	60	19	25	26	19	42.5	10	26	67	72	95	108	24
06430-4101X70	06430-4103X70	M10	70	19	25	26	19	42.5	10	26	67	72	95	108	24
06430-4101X80	06430-4103X80	M10	80	19	25	26	19	42.5	10	26	67	72	95	108	24
06430-4101X90	06430-4103X90	M10	90	19	25	26	19	42.5	10	26	67	72	95	108	24
06430-4121X20	06430-4123X20	M12	20	19	25	26	19	42.5	10	26	67	72	95	108	24
06430-4121X25	06430-4123X25	M12	25	19	25	26	19	42.5	10	26	67	72	95	108	24
06430-4121X30	06430-4123X30	M12	30	19	25	26	19	42.5	10	26	67	72	95	108	24
06430-4121X35	06430-4123X35	M12	35	19	25	26	19	42.5	10	26	67	72	95	108	24
06430-4121X40	06430-4123X40	M12	40	19	25	26	19	42.5	10	26	67	72	95	108	24
06430-4121X45	06430-4123X45	M12	45	19	25	26	19	42.5	10	26	67	72	95	108	24
06430-4121X50	06430-4123X50	M12	50	19	25	26	19	42.5	10	26	67	72	95	108	24
06430-4121X55	06430-4123X55	M12	55	19	25	26	19	42.5	10	26	67	72	95	108	24
06430-4121X60	06430-4123X60	M12	60	19	25	26	19	42.5	10	26	67	72	95	108	24
06430-4121X70	06430-4123X70	M12	70	19	25	26	19	42.5	10	26	67	72	95	108	24
06430-4121X80	06430-4123X80	M12	80	19	25	26	19	42.5	10	26	67	72	95	108	24
06430-4121X90	06430-4123X90	M12	90	19	25	26	19	42.5	10	26	67	72	95	108	24
06430-5121X25	06430-5123X25	M12	25	23	30	31	22	49	12	32	79	84	110	126	26
06430-5121X30	06430-5123X30	M12	30	23	30	31	22	49	12	32	79	84	110	126	26
06430-5121X35	06430-5123X35	M12	35	23	30	31	22	49	12	32	79	84	110	126	26
06430-5121X40	06430-5123X40	M12	40	23	30	31	22	49	12	32	79	84	110	126	26
06430-5121X45	06430-5123X45	M12	45	23	30	31	22	49	12	32	79	84	110	126	26
06430-5121X50	06430-5123X50	M12	50	23	30	31	22	49	12	32	79	84	110	126	26
06430-5121X55	06430-5123X55	M12	55	23	30	31	22	49	12	32	79	84	110	126	26
06430-5121X60	06430-5123X60	M12	60	23	30	31	22	49	12	32	79	84	110	126	26
06430-5121X70	06430-5123X70	M12	70	23	30	31	22	49	12	32	79	84	110	126	26
06430-5121X80	06430-5123X80	M12	80	23	30	31	22	49	12	32	79	84	110	126	26
06430-5121X90	06430-5123X90	M12	90	23	30	31	22	49	12	32	79	84	110	126	26
06430-5161X25	06430-5163X25	M16	25	23	30	31	22	49	12	32	79	84	110	126	26
06430-5161X30	06430-5163X30	M16	30	23	30	31	22	49	12	32	79	84	110	126	26
06430-5161X35	06430-5163X35	M16	35	23	30	31	22	49	12	32	79	84	110	126	26
06430-5161X40	06430-5163X40	M16	40	23	30	31	22	49	12	32	79	84	110	126	26
06430-5161X45	06430-5163X45	M16	45	23	30	31	22	49	12	32	79	84	110	126	26
06430-5161X50	06430-5163X50	M16	50	23	30	31	22	49	12	32	79	84	110	126	26
06430-5161X55	06430-5163X55	M16	55	23	30	31	22	49	12	32	79	84	110	126	26
06430-5161X60	06430-5163X60	M16	60	23	30	31	22	49	12	32	79	84	110	126	26
06430-5161X70	06430-5163X70	M16	70	23	30	31	22	49	12	32	79	84	110	126	26
06430-5161X80	06430-5163X80	M16	80	23	30	31	22	49	12	32	79	84	110	126	26
06430-5161X90	06430-5163X90	M16	90	23	30	31	22	49	12	32	79	84	110	126	26

ADJUSTABLE CLAMP LEVERS

Zinc Die Cast | Male Threads | Stainless Steel Studs | Inch



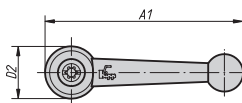
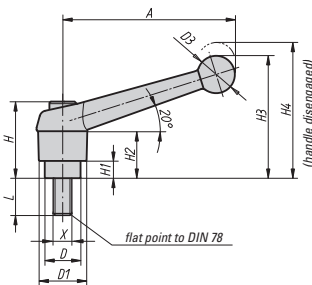
Pulling up on the handle disengages it from the spline and allows it to rotate freely for adjustment. Releasing the handle engages it for tightening or adjusting. The handle is made from zinc die cast and powder coated in either black satin or silver metallic finish. Internal parts and studs are made from stainless steel.

INCH

Part # Black	Part # Metallic	X Thread	L	D	D1	D2	D3	H	H1	H2	H3	H4	A	A1	No. Of Teeth
06431-1A01X15	06431-1A03X15	10-24	.59	.39	.51	.55	.41	.96	.16	.59	1.28	1.40	1.54	1.81	16
06431-1A01X20	06431-1A03X20	10-24	.79	.39	.51	.55	.41	.96	.16	.59	1.28	1.40	1.54	1.81	16
06431-1A01X25	06431-1A03X25	10-24	.98	.39	.51	.55	.41	.96	.16	.59	1.28	1.40	1.54	1.81	16
06431-1A21X10	06431-1A23X10	1/4-20	.39	.39	.51	.55	.41	.96	.16	.59	1.28	1.40	1.54	1.81	16
06431-1A21X15	06431-1A23X15	1/4-20	.59	.39	.51	.55	.41	.96	.16	.59	1.28	1.40	1.54	1.81	16
06431-1A21X20	06431-1A23X20	1/4-20	.79	.39	.51	.55	.41	.96	.16	.59	1.28	1.40	1.54	1.81	16
06431-1A21X25	06431-1A23X25	1/4-20	.98	.39	.51	.55	.41	.96	.16	.59	1.28	1.40	1.54	1.81	16
06431-1A21X30	06431-1A23X30	1/4-20	1.18	.39	.51	.55	.41	.96	.16	.59	1.28	1.40	1.54	1.81	16
06431-1A21X40	06431-1A23X40	1/4-20	1.57	.39	.51	.55	.41	.96	.16	.59	1.28	1.40	1.54	1.81	16
06431-1A21X50	06431-1A23X50	1/4-20	1.97	.39	.51	.55	.41	.96	.16	.59	1.28	1.40	1.54	1.81	16
06431-2A21X15	06431-2A23X15	1/4-20	.59	.53	.71	.73	.61	1.12	.26	.65	1.79	1.95	2.52	2.87	20
06431-2A21X20	06431-2A23X20	1/4-20	.79	.53	.71	.73	.61	1.12	.26	.65	1.79	1.95	2.52	2.87	20
06431-2A21X25	06431-2A23X25	1/4-20	.98	.53	.71	.73	.61	1.12	.26	.65	1.79	1.95	2.52	2.87	20
06431-2A21X30	06431-2A23X30	1/4-20	1.18	.53	.71	.73	.61	1.12	.26	.65	1.79	1.95	2.52	2.87	20
06431-2A21X40	06431-2A23X40	1/4-20	1.57	.53	.71	.73	.61	1.12	.26	.65	1.79	1.95	2.52	2.87	20
06431-2A21X50	06431-2A23X50	1/4-20	1.97	.53	.71	.73	.61	1.12	.26	.65	1.79	1.95	2.52	2.87	20
06431-2A21X60	06431-2A23X60	1/4-20	2.36	.53	.71	.73	.61	1.12	.26	.65	1.79	1.95	2.52	2.87	20
06431-2A31X15	06431-2A33X15	5/16-18	.59	.53	.71	.73	.61	1.12	.26	.65	1.79	1.95	2.52	2.87	20
06431-2A31X20	06431-2A33X20	5/16-18	.79	.53	.71	.73	.61	1.12	.26	.65	1.79	1.95	2.52	2.87	20
06431-2A31X25	06431-2A33X25	5/16-18	.98	.53	.71	.73	.61	1.12	.26	.65	1.79	1.95	2.52	2.87	20
06431-2A31X30	06431-2A33X30	5/16-18	1.18	.53	.71	.73	.61	1.12	.26	.65	1.79	1.95	2.52	2.87	20
06431-2A31X40	06431-2A33X40	5/16-18	1.57	.53	.71	.73	.61	1.12	.26	.65	1.79	1.95	2.52	2.87	20
06431-2A31X50	06431-2A33X50	5/16-18	1.97	.53	.71	.73	.61	1.12	.26	.65	1.79	1.95	2.52	2.87	20
06431-2A31X60	06431-2A33X60	5/16-18	2.36	.53	.71	.73	.61	1.12	.26	.65	1.79	1.95	2.52	2.87	20
06431-2A41X20	06431-2A43X20	3/8-16	.79	.53	.71	.73	.61	1.12	.26	.65	1.79	1.95	2.52	2.87	20
06431-2A41X25	06431-2A43X25	3/8-16	.98	.53	.71	.73	.61	1.12	.26	.65	1.79	1.95	2.52	2.87	20
06431-2A41X30	06431-2A43X30	3/8-16	1.18	.53	.71	.73	.61	1.12	.26	.65	1.79	1.95	2.52	2.87	20
06431-2A41X40	06431-2A43X40	3/8-16	1.57	.53	.71	.73	.61	1.12	.26	.65	1.79	1.95	2.52	2.87	20
06431-2A41X50	06431-2A43X50	3/8-16	1.97	.53	.71	.73	.61	1.12	.26	.65	1.79	1.95	2.52	2.87	20
06431-2A41X60	06431-2A43X60	3/8-16	2.36	.53	.71	.73	.61	1.12	.26	.65	1.79	1.95	2.52	2.87	20
06431-3A31X20	06431-3A33X20	5/16-18	.79	.63	.83	.87	.67	1.46	.39	.91	2.26	2.42	3.11	3.54	22
06431-3A31X25	06431-3A33X25	5/16-18	.98	.63	.83	.87	.67	1.46	.39	.91	2.26	2.42	3.11	3.54	22
06431-3A31X30	06431-3A33X30	5/16-18	1.18	.63	.83	.87	.67	1.46	.39	.91	2.26	2.42	3.11	3.54	22
06431-3A31X40	06431-3A33X40	5/16-18	1.57	.63	.83	.87	.67	1.46	.39	.91	2.26	2.42	3.11	3.54	22
06431-3A31X50	06431-3A33X50	5/16-18	1.97	.63	.83	.87	.67	1.46	.39	.91	2.26	2.42	3.11	3.54	22
06431-3A31X60	06431-3A33X60	5/16-18	2.36	.63	.83	.87	.67	1.46	.39	.91	2.26	2.42	3.11	3.54	22
06431-3A41X20	06431-3A43X20	3/8-16	.79	.63	.83	.87	.67	1.46	.39	.91	2.26	2.42	3.11	3.54	22
06431-3A41X25	06431-3A43X25	3/8-16	.98	.63	.83	.87	.67	1.46	.39	.91	2.26	2.42	3.11	3.54	22
06431-3A41X30	06431-3A43X30	3/8-16	1.18	.63	.83	.87	.67	1.46	.39	.91	2.26	2.42	3.11	3.54	22
06431-3A41X40	06431-3A43X40	3/8-16	1.57	.63	.83	.87	.67	1.46	.39	.91	2.26	2.42	3.11	3.54	22
06431-3A41X50	06431-3A43X50	3/8-16	1.97	.63	.83	.87	.67	1.46	.39	.91	2.26	2.42	3.11	3.54	22
06431-3A41X60	06431-3A43X60	3/8-16	2.36	.63	.83	.87	.67	1.46	.39	.91	2.26	2.42	3.11	3.54	22
06431-4A51X25	06431-4A53X25	1/2-13	.98	.75	.98	1.02	.75	1.67	.39	1.02	2.64	2.83	3.74	4.25	24
06431-4A51X30	06431-4A53X30	1/2-13	1.18	.75	.98	1.02	.75	1.67	.39	1.02	2.64	2.83	3.74	4.25	24
06431-4A51X40	06431-4A53X40	1/2-13	1.57	.75	.98	1.02	.75	1.67	.39	1.02	2.64	2.83	3.74	4.25	24
06431-4A51X50	06431-4A53X50	1/2-13	1.97	.75	.98	1.02	.75	1.67	.39	1.02	2.64	2.83	3.74	4.25	24
06431-4A51X60	06431-4A53X60	1/2-13	2.36	.75	.98	1.02	.75	1.67	.39	1.02	2.64	2.83	3.74	4.25	24
06431-5A61X30	06431-5A63X30	5/8-11	1.18	.91	1.18	1.22	.87	1.93	.47	1.26	3.11	3.31	4.33	4.96	26
06431-5A61X40	06431-5A63X40	5/8-11	1.57	.91	1.18	1.22	.87	1.93	.47	1.26	3.11	3.31	4.33	4.96	26
06431-5A61X50	06431-5A63X50	5/8-11	1.97	.91	1.18	1.22	.87	1.93	.47	1.26	3.11	3.31	4.33	4.96	26
06431-5A61X60	06431-5A63X60	5/8-11	2.36	.91	1.18	1.22	.87	1.93	.47	1.26	3.11	3.31	4.33	4.96	26

ADJUSTABLE CLAMP LEVERS

Zinc Die Cast | Male Threads | Stainless Steel Studs | Metric



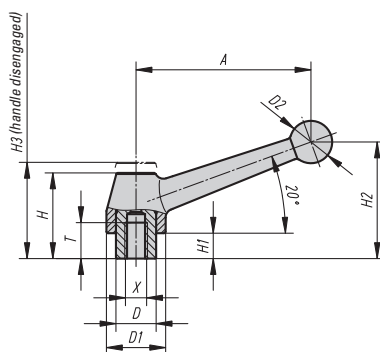
Pulling up on the handle disengages it from the spline and allows it to rotate freely for adjustment. Releasing the handle engages it for tightening or adjusting. The handle is made from zinc die cast and powder coated in either black satin or silver metallic finish. Internal parts and studs are made from stainless steel.

METRIC

Part # Black	Part # Metallic	X Thread	L mm	D mm	D1 mm	D2 mm	D3 mm	H mm	H1 mm	H2 mm	H3 mm	H4 mm	A mm	A1 mm	No. Of Teeth
06431-1051X15	06431-1053X15	M5	15	10	13	14	10.5	24.5	4	15	32.5	35.5	39	46	16
06431-1051X20	06431-1053X20	M5	20	10	13	14	10.5	24.5	4	15	32.5	35.5	39	46	16
06431-1051X25	06431-1053X25	M5	25	10	13	14	10.5	24.5	4	15	32.5	35.5	39	46	16
06431-1061X10	06431-1063X10	M6	10	10	13	14	10.5	24.5	4	15	32.5	35.5	39	46	16
06431-1061X15	06431-1063X15	M6	15	10	13	14	10.5	24.5	4	15	32.5	35.5	39	46	16
06431-1061X20	06431-1063X20	M6	20	10	13	14	10.5	24.5	4	15	32.5	35.5	39	46	16
06431-1061X25	06431-1063X25	M6	25	10	13	14	10.5	24.5	4	15	32.5	35.5	39	46	16
06431-1061X30	06431-1063X30	M6	30	10	13	14	10.5	24.5	4	15	32.5	35.5	39	46	16
06431-1061X40	06431-1063X40	M6	40	10	13	14	10.5	24.5	4	15	32.5	35.5	39	46	16
06431-1061X50	06431-1063X50	M6	50	10	13	14	10.5	24.5	4	15	32.5	35.5	39	46	16
06431-2061X15	06431-2063X15	M6	15	13.5	18	18.5	15.5	28.5	6.5	16.5	45.5	49.5	64	73	20
06431-2061X20	06431-2063X20	M6	20	13.5	18	18.5	15.5	28.5	6.5	16.5	45.5	49.5	64	73	20
06431-2061X25	06431-2063X25	M6	25	13.5	18	18.5	15.5	28.5	6.5	16.5	45.5	49.5	64	73	20
06431-2061X30	06431-2063X30	M6	30	13.5	18	18.5	15.5	28.5	6.5	16.5	45.5	49.5	64	73	20
06431-2061X40	06431-2063X40	M6	40	13.5	18	18.5	15.5	28.5	6.5	16.5	45.5	49.5	64	73	20
06431-2061X50	06431-2063X50	M6	50	13.5	18	18.5	15.5	28.5	6.5	16.5	45.5	49.5	64	73	20
06431-2061X60	06431-2063X60	M6	60	13.5	18	18.5	15.5	28.5	6.5	16.5	45.5	49.5	64	73	20
06431-2081X15	06431-2083X15	M8	15	13.5	18	18.5	15.5	28.5	6.5	16.5	45.5	49.5	64	73	20
06431-2081X20	06431-2083X20	M8	20	13.5	18	18.5	15.5	28.5	6.5	16.5	45.5	49.5	64	73	20
06431-2081X25	06431-2083X25	M8	25	13.5	18	18.5	15.5	28.5	6.5	16.5	45.5	49.5	64	73	20
06431-2081X30	06431-2083X30	M8	30	13.5	18	18.5	15.5	28.5	6.5	16.5	45.5	49.5	64	73	20
06431-2081X40	06431-2083X40	M8	40	13.5	18	18.5	15.5	28.5	6.5	16.5	45.5	49.5	64	73	20
06431-2081X50	06431-2083X50	M8	50	13.5	18	18.5	15.5	28.5	6.5	16.5	45.5	49.5	64	73	20
06431-2081X60	06431-2083X60	M8	60	13.5	18	18.5	15.5	28.5	6.5	16.5	45.5	49.5	64	73	20
06431-2101X20	06431-2103X20	M10	20	13.5	18	18.5	15.5	28.5	6.5	16.5	45.5	49.5	64	73	20
06431-2101X25	06431-2103X25	M10	25	13.5	18	18.5	15.5	28.5	6.5	16.5	45.5	49.5	64	73	20
06431-2101X30	06431-2103X30	M10	30	13.5	18	18.5	15.5	28.5	6.5	16.5	45.5	49.5	64	73	20
06431-2101X40	06431-2103X40	M10	40	13.5	18	18.5	15.5	28.5	6.5	16.5	45.5	49.5	64	73	20
06431-2101X50	06431-2103X50	M10	50	13.5	18	18.5	15.5	28.5	6.5	16.5	45.5	49.5	64	73	20
06431-2101X60	06431-2103X60	M10	60	13.5	18	18.5	15.5	28.5	6.5	16.5	45.5	49.5	64	73	20
06431-3081X20	06431-3083X20	M8	20	16	21	22	17	37	10	23	57.5	61.5	79	90	22
06431-3081X25	06431-3083X25	M8	25	16	21	22	17	37	10	23	57.5	61.5	79	90	22
06431-3081X30	06431-3083X30	M8	30	16	21	22	17	37	10	23	57.5	61.5	79	90	22
06431-3081X40	06431-3083X40	M8	40	16	21	22	17	37	10	23	57.5	61.5	79	90	22
06431-3081X50	06431-3083X50	M8	50	16	21	22	17	37	10	23	57.5	61.5	79	90	22
06431-3081X60	06431-3083X60	M8	60	16	21	22	17	37	10	23	57.5	61.5	79	90	22
06431-3101X20	06431-3103X20	M10	20	16	21	22	17	37	10	23	57.5	61.5	79	90	22
06431-3101X25	06431-3103X25	M10	25	16	21	22	17	37	10	23	57.5	61.5	79	90	22
06431-3101X30	06431-3103X30	M10	30	16	21	22	17	37	10	23	57.5	61.5	79	90	22
06431-3101X40	06431-3103X40	M10	40	16	21	22	17	37	10	23	57.5	61.5	79	90	22
06431-3101X50	06431-3103X50	M10	50	16	21	22	17	37	10	23	57.5	61.5	79	90	22
06431-3101X60	06431-3103X60	M10	60	16	21	22	17	37	10	23	57.5	61.5	79	90	22
06431-4121X25	06431-4123X25	M12	25	19	25	26	19	42.5	10	26	67	72	95	108	24
06431-4121X30	06431-4123X30	M12	30	19	25	26	19	42.5	10	26	67	72	95	108	24
06431-4121X40	06431-4123X40	M12	40	19	25	26	19	42.5	10	26	67	72	95	108	24
06431-4121X50	06431-4123X50	M12	50	19	25	26	19	42.5	10	26	67	72	95	108	24
06431-4121X60	06431-4123X60	M12	60	19	25	26	19	42.5	10	26	67	72	95	108	24
06431-5161X30	06431-5163X30	M16	30	23	30	31	22	49	12	32	79	84	110	126	26
06431-5161X40	06431-5163X40	M16	40	23	30	31	22	49	12	32	79	84	110	126	26
06431-5161X50	06431-5163X50	M16	50	23	30	31	22	49	12	32	79	84	110	126	26
06431-5161X60	06431-5163X60	M16	60	23	30	31	22	49	12	32	79	84	110	126	26

ADJUSTABLE CLAMP LEVERS

Steel and Stainless Steel | Female Threads | Inch and Metric



Pulling up on the handle disengages it from the spline and allows it to rotate freely for adjustment. Releasing the handle engages it for tightening or adjusting. The handles are made from steel or stainless steel. The steel handles have a silver-grey hammertone powder coat finish and the internal steel parts are black oxidized. The stainless handles are electro-polished and the internal parts are stainless.

INCH

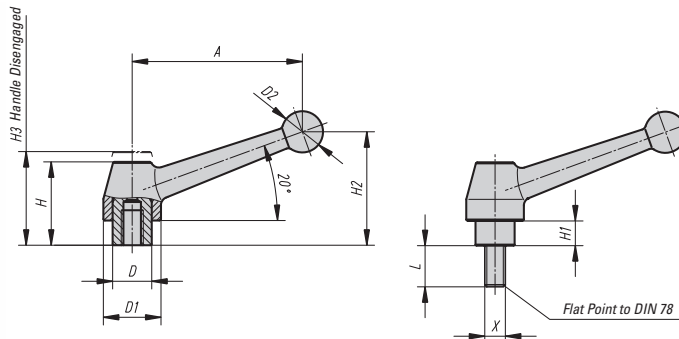
Part # Steel	Part # Stainless	X Thread	T	D	D1	D2	H	H1	H2	H3	A	No. Of Teeth
06440-1A3	06440-11A3	5/16-18	.67	.75	1.10	.79	1.61	.47	2.13	1.93	3.27	24
06440-1A4	06440-11A4	3/8-16	.67	.75	1.10	.79	1.61	.47	2.13	1.93	3.27	24
06440-1A5	06440-11A5	1/2-13	.67	.75	1.10	.79	1.61	.47	2.13	1.93	3.27	24
06440-2A5	—	1/2-13	.91	.91	1.38	.98	1.97	.47	2.72	2.20	4.25	26
06440-2A6	—	5/8-11	.91	.91	1.38	.98	1.97	.47	2.72	2.20	4.25	26
06440-3A6	—	5/8-11	1.06	1.18	1.69	1.18	2.30	.47	3.07	2.56	5.20	36
06440-3A7	—	3/4-10	1.06	1.18	1.69	1.18	2.30	.47	3.07	2.56	5.20	36

METRIC

Part # Steel	Part # Stainless	X Thread	T mm	D mm	D1 mm	D2 mm	H mm	H1 mm	H2 mm	H3 mm	A mm	No. Of Teeth
06440-108	06440-1108	M8	17	19	28	20	41	12	54	49	83	24
06440-110	06440-1110	M10	17	19	28	20	41	12	54	49	83	24
06440-112	06440-1112	M12	17	19	28	20	41	12	54	49	83	24
06440-212	—	M12	23	23	35	25	50	12	69	56	108	26
06440-216	—	M16	23	23	35	25	50	12	69	56	108	26
06440-316	—	M16	27	30	43	30	58.5	12	78	65	132	36
06440-320	—	M20	27	30	43	30	58.5	12	78	65	132	36

ADJUSTABLE CLAMP LEVERS

Steel and Stainless Steel | Male Threads | Inch



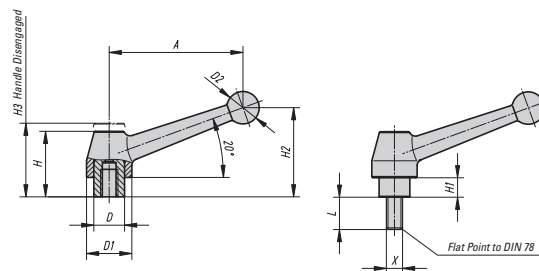
Pulling up on the handle disengages it from the spline and allows it to rotate freely for adjustment. Releasing the handle engages it for tightening or adjusting. The handles are made from steel or stainless steel. The steel handles have a silver-grey hammertone powder coat finish and the internal steel parts and studs are black oxidized. The stainless handles are electro-polished and the internal parts and studs are stainless.

INCH

Part # Steel	Part # Stainless	X Thread	L	D	D1	D2	H	H1	H2	H3	A	No. Of Teeth
06441-1A4X20	06441-11A4X20	3/8-16	.79	.75	1.10	.79	1.61	.47	2.13	1.93	3.27	24
06441-1A4X30	06441-11A4X30	3/8-16	1.18	.75	1.10	.79	1.61	.47	2.13	1.93	3.27	24
06441-1A4X40	06441-11A4X40	3/8-16	1.57	.75	1.10	.79	1.61	.47	2.13	1.93	3.27	24
06441-1A4X45	06441-11A4X45	3/8-16	1.77	.75	1.10	.79	1.61	.47	2.13	1.93	3.27	24
06441-1A4X50	06441-11A4X50	3/8-16	1.97	.75	1.10	.79	1.61	.47	2.13	1.93	3.27	24
06441-1A4X60	06441-11A4X60	3/8-16	2.36	.75	1.10	.79	1.61	.47	2.13	1.93	3.27	24
06441-1A5X20	06441-11A5X20	1/2-13	.79	.75	1.10	.79	1.61	.47	2.13	1.93	3.27	24
06441-1A5X30	06441-11A5X30	1/2-13	1.18	.75	1.10	.79	1.61	.47	2.13	1.93	3.27	24
06441-1A5X40	06441-11A5X40	1/2-13	1.57	.75	1.10	.79	1.61	.47	2.13	1.93	3.27	24
06441-1A5X45	06441-11A5X45	1/2-13	1.77	.75	1.10	.79	1.61	.47	2.13	1.93	3.27	24
06441-1A5X50	06441-11A5X50	1/2-13	1.97	.75	1.10	.79	1.61	.47	2.13	1.93	3.27	24
06441-1A5X60	06441-11A5X60	1/2-13	2.36	.75	1.10	.79	1.61	.47	2.13	1.93	3.27	24
06441-2A5X25	—	1/2-13	.98	.91	1.38	.98	1.97	.47	2.72	2.20	4.25	26
06441-2A5X30	—	1/2-13	1.18	.91	1.38	.98	1.97	.47	2.72	2.20	4.25	26
06441-2A5X40	—	1/2-13	1.57	.91	1.38	.98	1.97	.47	2.72	2.20	4.25	26
06441-2A5X45	—	1/2-13	1.77	.91	1.38	.98	1.97	.47	2.72	2.20	4.25	26
06441-2A5X50	—	1/2-13	1.97	.91	1.38	.98	1.97	.47	2.72	2.20	4.25	26
06441-2A5X60	—	1/2-13	2.36	.91	1.38	.98	1.97	.47	2.72	2.20	4.25	26
06441-2A6X25	—	5/8-11	.98	.91	1.38	.98	1.97	.47	2.72	2.20	4.25	26
06441-2A6X30	—	5/8-11	1.18	.91	1.38	.98	1.97	.47	2.72	2.20	4.25	26
06441-2A6X40	—	5/8-11	1.57	.91	1.38	.98	1.97	.47	2.72	2.20	4.25	26
06441-2A6X45	—	5/8-11	1.77	.91	1.38	.98	1.97	.47	2.72	2.20	4.25	26
06441-2A6X50	—	5/8-11	1.97	.91	1.38	.98	1.97	.47	2.72	2.20	4.25	26
06441-2A6X60	—	5/8-11	2.36	.91	1.38	.98	1.97	.47	2.72	2.20	4.25	26
06441-3A6X30	—	5/8-11	1.18	1.18	1.69	1.18	2.30	.47	3.07	2.56	5.20	36
06441-3A6X40	—	5/8-11	1.57	1.18	1.69	1.18	2.30	.47	3.07	2.56	5.20	36
06441-3A6X50	—	5/8-11	1.97	1.18	1.69	1.18	2.30	.47	3.07	2.56	5.20	36
06441-3A6X60	—	5/8-11	2.36	1.18	1.69	1.18	2.30	.47	3.07	2.56	5.20	36
06441-3A7X30	—	3/4-10	1.18	1.18	1.69	1.18	2.30	.47	3.07	2.56	5.20	36
06441-3A7X40	—	3/4-10	1.57	1.18	1.69	1.18	2.30	.47	3.07	2.56	5.20	36
06441-3A7X50	—	3/4-10	1.97	1.18	1.69	1.18	2.30	.47	3.07	2.56	5.20	36
06441-3A7X60	—	3/4-10	2.36	1.18	1.69	1.18	2.30	.47	3.07	2.56	5.20	36

ADJUSTABLE CLAMP LEVERS

Steel and Stainless Steel | Male Threads | Metric



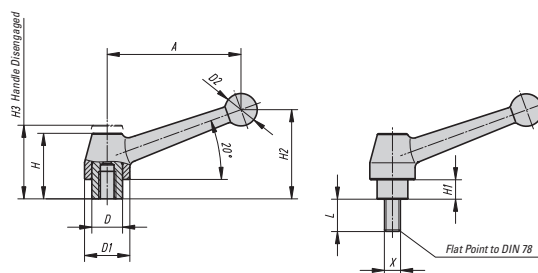
Pulling up on the handle disengages it from the spline and allows it to rotate freely for adjustment. Releasing the handle engages it for tightening or adjusting. The handles are made from steel or stainless steel. The steel handles have a silver-grey hammertone powder coat finish and the internal steel parts and studs are black oxidized. The stainless handles are electro-polished and the internal parts and studs are stainless.

METRIC

Part # Steel	Part # Stainless	X Thread	L mm	D mm	D1 mm	D2 mm	H mm	H1 mm	H2 mm	H3 mm	A mm	No. Of Teeth
06441-110X20	—	M10	20	19	28	20	41	12	54	49	83	24
06441-110X25	06441-1110X25	M10	25	19	28	20	41	12	54	49	83	24
06441-110X30	06441-1110X30	M10	30	19	28	20	41	12	54	49	83	24
06441-110X35	—	M10	35	19	28	20	41	12	54	49	83	24
06441-110X40	06441-1110X40	M10	40	19	28	20	41	12	54	49	83	24
06441-110X45	—	M10	45	19	28	20	41	12	54	49	83	24
06441-110X50	06441-1110X50	M10	50	19	28	20	41	12	54	49	83	24
06441-110X55	—	M10	55	19	28	20	41	12	54	49	83	24
06441-110X60	06441-1110X60	M10	60	19	28	20	41	12	54	49	83	24
06441-110X70	—	M10	70	19	28	20	41	12	54	49	83	24
06441-110X80	—	M10	80	19	28	20	41	12	54	49	83	24
06441-110X90	—	M10	90	19	28	20	41	12	54	49	83	24
06441-112X20	—	M12	20	19	28	20	41	12	54	49	83	24
06441-112X25	06441-1112X25	M12	25	19	28	20	41	12	54	49	83	24
06441-112X30	06441-1112X30	M12	30	19	28	20	41	12	54	49	83	24
06441-112X35	—	M12	35	19	28	20	41	12	54	49	83	24
06441-112X40	06441-1112X40	M12	40	19	28	20	41	12	54	49	83	24
06441-112X45	—	M12	45	19	28	20	41	12	54	49	83	24
06441-112X50	06441-1112X50	M12	50	19	28	20	41	12	54	49	83	24
06441-112X55	—	M12	55	19	28	20	41	12	54	49	83	24
06441-112X60	06441-1112X60	M12	60	19	28	20	41	12	54	49	83	24
06441-112X70	—	M12	70	19	28	20	41	12	54	49	83	24
06441-112X80	—	M12	80	19	28	20	41	12	54	49	83	24
06441-112X90	—	M12	90	19	28	20	41	12	54	49	83	24
06441-212X25	—	M12	25	23	35	25	50	12	69	56	108	26
06441-212X30	—	M12	30	23	35	25	50	12	69	56	108	26
06441-212X35	—	M12	35	23	35	25	50	12	69	56	108	26
06441-212X40	—	M12	40	23	35	25	50	12	69	56	108	26
06441-212X45	—	M12	45	23	35	25	50	12	69	56	108	26
06441-212X50	—	M12	50	23	35	25	50	12	69	56	108	26
06441-212X55	—	M12	55	23	35	25	50	12	69	56	108	26
06441-212X60	—	M12	60	23	35	25	50	12	69	56	108	26
06441-212X70	—	M12	70	23	35	25	50	12	69	56	108	26
06441-212X80	—	M12	80	23	35	25	50	12	69	56	108	26
06441-212X90	—	M12	90	23	35	25	50	12	69	56	108	26
06441-216X25	—	M16	25	23	35	25	50	12	69	56	108	26
06441-216X30	—	M16	30	23	35	25	50	12	69	56	108	26
06441-216X35	—	M16	35	23	35	25	50	12	69	56	108	26
06441-216X40	—	M16	40	23	35	25	50	12	69	56	108	26
06441-216X45	—	M16	45	23	35	25	50	12	69	56	108	26
06441-216X50	—	M16	50	23	35	25	50	12	69	56	108	26
06441-216X55	—	M16	55	23	35	25	50	12	69	56	108	26
06441-216X60	—	M16	60	23	35	25	50	12	69	56	108	26
06441-216X70	—	M16	70	23	35	25	50	12	69	56	108	26
06441-216X80	—	M16	80	23	35	25	50	12	69	56	108	26
06441-216X90	—	M16	90	23	35	25	50	12	69	56	108	26

ADJUSTABLE CLAMP LEVERS

Steel and Stainless Steel | Male Threads | Metric (continued)

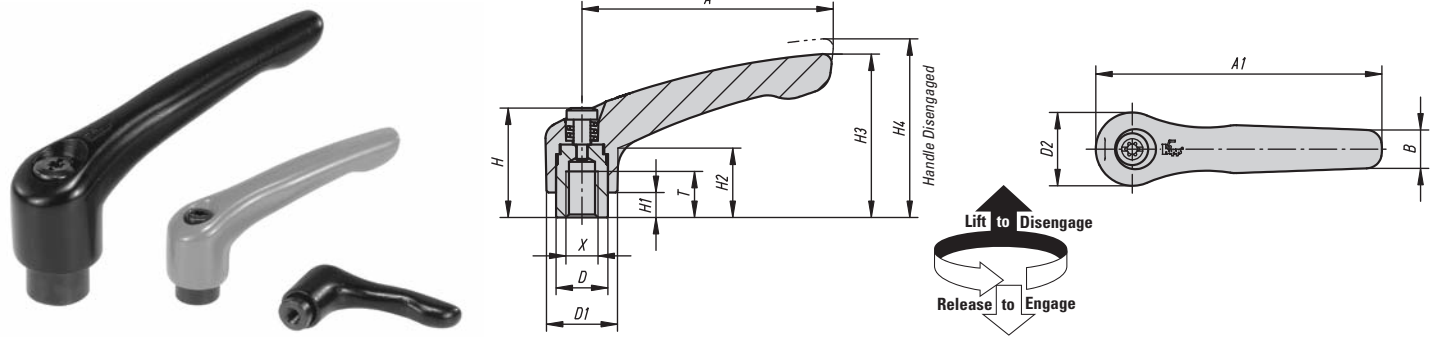


METRIC (CONTINUED)

Part # Steel	Part # Stainless	X Thread	L mm	D mm	D1 mm	D2 mm	H mm	H1 mm	H2 mm	H3 mm	A mm	No. Of Teeth
06441-316X30	—	M16	30	30	43	30	58.5	12	78	65	132	36
06441-316X40	—	M16	40	30	43	30	58.5	12	78	65	132	36
06441-316X50	—	M16	50	30	43	30	58.5	12	78	65	132	36
06441-316X60	—	M16	60	30	43	30	58.5	12	78	65	132	36
06441-316X70	—	M16	70	30	43	30	58.5	12	78	65	132	36
06441-316X80	—	M16	80	30	43	30	58.5	12	78	65	132	36
06441-316X90	—	M16	90	30	43	30	58.5	12	78	65	132	36
06441-320X30	—	M20	30	30	43	30	58.5	12	78	65	132	36
06441-320X40	—	M20	40	30	43	30	58.5	12	78	65	132	36
06441-320X50	—	M20	50	30	43	30	58.5	12	78	65	132	36
06441-320X60	—	M20	60	30	43	30	58.5	12	78	65	132	36
06441-320X70	—	M20	70	30	43	30	58.5	12	78	65	132	36
06441-320X80	—	M20	80	30	43	30	58.5	12	78	65	132	36
06441-320X90	—	M20	90	30	43	30	58.5	12	78	65	132	36

ADJUSTABLE CLAMP HANDLES

Zinc Die Cast | Female Threads | Steel Inserts | Inch and Metric



Pulling up on the handle disengages it from the spline and allows it to rotate freely for adjustment. Releasing the handle engages it for tightening or adjusting. The handles are made from zinc die cast and powder coated to a black satin finish or orange color finish. The internal steel parts are black oxidized.

INCH

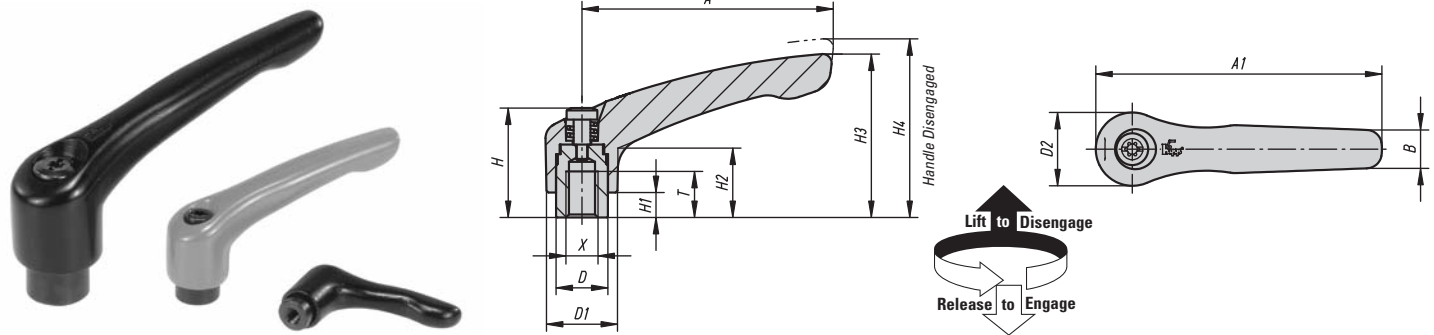
Part # Black	Part # Orange	X Thread	T	D	D1	D2	H	H1	H2	H3	H4	A	A1	B	No. Of Teeth
06450-0AE1	06450-0AE2	8-32	.35	.39	.51	.55	.57	.16	.57	1.18	1.30	1.18	1.46	.28	16
06450-0A01	06450-0A02	10-24	.35	.39	.51	.55	.57	.16	.57	1.18	1.30	1.18	1.46	.28	16
06450-0A11	06450-0A12	10-32	.35	.39	.51	.55	.57	.16	.57	1.18	1.30	1.18	1.46	.28	16
06450-0A21	06450-0A22	1/4-20	.35	.39	.51	.55	.57	.16	.57	1.18	1.30	1.18	1.46	.28	16
06450-1AE1	06450-1AE2	8-32	.35	.39	.51	.55	.96	.16	.57	1.22	1.34	1.57	1.85	.28	16
06450-1A01	06450-1A02	10-24	.35	.39	.51	.55	.96	.16	.57	1.22	1.34	1.57	1.85	.28	16
06450-1A11	06450-1A12	10-32	.35	.39	.51	.55	.96	.16	.57	1.22	1.34	1.57	1.85	.28	16
06450-1A21	06450-1A22	1/4-20	.35	.39	.51	.55	.96	.16	.57	1.22	1.34	1.57	1.85	.28	16
06450-2A21	06450-2A22	1/4-20	.47	.53	.73	.75	1.12	.26	.69	1.67	1.79	2.56	2.93	.37	20
06450-2A31	06450-2A32	5/16-18	.47	.53	.73	.75	1.12	.26	.69	1.67	1.79	2.56	2.93	.37	20
06450-3A31	06450-3A32	5/16-18	.55	.63	.83	.87	1.46	.39	.94	2.15	2.30	3.15	3.58	.43	22
06450-3A41	06450-3A42	3/8-16	.55	.63	.83	.87	1.46	.39	.94	2.15	2.30	3.15	3.58	.43	22
06450-4A41	06450-4A42	3/8-16	.67	.75	1.06	1.08	1.69	.39	1.06	2.48	2.66	3.74	4.29	.51	24
06450-4A51	06450-4A52	1/2-13	.67	.75	1.06	1.08	1.69	.39	1.06	2.48	2.66	3.74	4.29	.51	24
06450-5A51	06450-5A52	1/2-13	.91	.91	1.22	1.26	1.93	.47	1.24	2.87	3.05	4.33	4.96	.59	26
06450-5A61	06450-5A62	5/8-11	.91	.91	1.22	1.26	1.93	.47	1.24	2.87	3.05	4.33	4.96	.59	26

METRIC

Part # Black	Part # Orange	X Thread	T mm	D mm	D1 mm	D2 mm	H mm	H1 mm	H2 mm	H3 mm	H4 mm	A mm	A1 mm	B mm	No. Of Teeth
06450-0031	06450-0032	M3	9	10	13	14	24.5	4	14.5	30	33	30	37	7	16
06450-0041	06450-0042	M4	9	10	13	14	24.5	4	14.5	30	33	30	37	7	16
06450-0051	06450-0052	M5	9	10	13	14	24.5	4	14.5	30	33	30	37	7	16
06450-1041	06450-1042	M4	9	10	13	14	24.5	4	14.5	31	34	40	47	7	16
06450-1051	06450-1052	M5	9	10	13	14	24.5	4	14.5	31	34	40	47	7	16
06450-1061	06450-1062	M6	9	10	13	14	24.5	4	14.5	31	34	40	47	7	16
06450-2061	06450-2062	M6	12	13.5	18.5	19	28.5	6.5	17.5	42.5	45.5	65	74.5	9.5	20
06450-2081	06450-2082	M8	12	13.5	18.5	19	28.5	6.5	17.5	42.5	45.5	65	74.5	9.5	20
06450-3081	06450-3082	M8	14	16	21	22	37	10	24	54.5	58.5	80	91	11	22
06450-3101	06450-3102	M10	14	16	21	22	37	10	24	54.5	58.5	80	91	11	22
06450-4101	06450-4102	M10	17	19	27	27.5	43	10	27	63	67.5	95	109	13	24
06450-4121	06450-4122	M12	17	19	27	27.5	43	10	27	63	67.5	95	109	13	24
06450-5121	06450-5122	M12	23	23	31	32	49	12	31.5	73	77.5	110	126	15	26
06450-5161	06450-5162	M16	23	23	31	32	49	12	31.5	73	77.5	110	126	15	26

ADJUSTABLE CLAMP HANDLES

Zinc Die Cast | Female Threads | Stainless Steel Inserts | Inch and Metric



Pulling up on the handle disengages it from the spline and allows it to rotate freely for adjustment. Releasing the handle engages it for tightening or adjusting. The handles are made from zinc die cast and powder coated to a black satin finish or orange color finish. The internal parts are stainless steel.

INCH

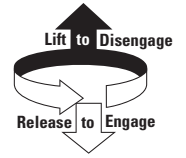
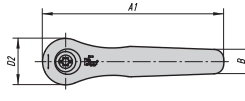
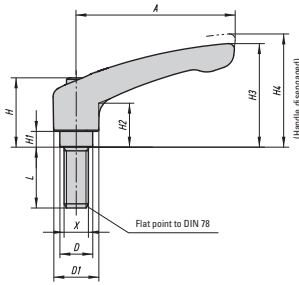
Part # Black	Part # Orange	X Thread	T	D	D1	D2	H	H1	H2	H3	H4	A	A1	B	No. Of Teeth
06451-0A01	06451-0A02	10-24	.35	.39	.51	.55	.57	.16	.57	1.18	1.30	1.18	1.46	.28	16
06451-0A11	06451-0A12	10-32	.35	.39	.51	.55	.57	.16	.57	1.18	1.30	1.18	1.46	.28	16
06451-0A21	06451-0A22	1/4-20	.35	.39	.51	.55	.57	.16	.57	1.18	1.30	1.18	1.46	.28	16
06451-1A01	06451-1A02	10-24	.35	.39	.51	.55	.96	.16	.57	1.22	1.34	1.57	1.85	.28	16
06451-1A11	06451-1A12	10-32	.35	.39	.51	.55	.96	.16	.57	1.22	1.34	1.57	1.85	.28	16
06451-1A21	06451-1A22	1/4-20	.35	.39	.51	.55	.96	.16	.57	1.22	1.34	1.57	1.85	.28	16
06451-2A21	06451-2A22	1/4-20	.47	.53	.73	.75	1.12	.26	.69	1.67	1.79	2.56	2.93	.37	20
06451-2A31	06451-2A32	5/16-18	.47	.53	.73	.75	1.12	.26	.69	1.67	1.79	2.56	2.93	.37	20
06451-3A31	06451-3A32	5/16-18	.55	.63	.83	.87	1.46	.39	.94	2.15	2.30	3.15	3.58	.43	22
06451-3A41	06451-3A42	3/8-16	.55	.63	.83	.87	1.46	.39	.94	2.15	2.30	3.15	3.58	.43	22
06451-4A41	06451-4A42	3/8-16	.67	.75	1.06	1.08	1.69	.39	1.06	2.48	2.66	3.74	4.29	.51	24
06451-4A51	06451-4A52	1/2-13	.67	.75	1.06	1.08	1.69	.39	1.06	2.48	2.66	3.74	4.29	.51	24
06451-5A51	06451-5A52	1/2-13	.91	.91	1.22	1.26	1.93	.47	1.24	2.87	3.05	4.33	4.96	.59	26
06451-5A61	06451-5A62	5/8-11	.91	.91	1.22	1.26	1.93	.47	1.24	2.87	3.05	4.33	4.96	.59	26

METRIC

Part # Black	Part # Orange	X Thread	T mm	D mm	D1 mm	D2 mm	H mm	H1 mm	H2 mm	H3 mm	H4 mm	A mm	A1 mm	B mm	No. Of Teeth
06451-0031	06451-0032	M3	9	10	13	14	24.5	4	14.5	30	33	30	37	7	16
06451-0041	06451-0042	M4	9	10	13	14	24.5	4	14.5	30	33	30	37	7	16
06451-0051	06451-0052	M5	9	10	13	14	24.5	4	14.5	30	33	30	37	7	16
06451-1051	06451-1052	M5	9	10	13	14	24.5	4	14.5	31	34	40	47	7	16
06451-1061	06451-1062	M6	9	10	13	14	24.5	4	14.5	31	34	40	47	7	16
06451-2061	06451-2062	M6	12	13.5	18.5	19	28.5	6.5	17.5	42.5	45.5	65	74.5	9.5	20
06451-2081	06451-2082	M8	12	13.5	18.5	19	28.5	6.5	17.5	42.5	45.5	65	74.5	9.5	20
06451-3081	06451-3082	M8	14	16	21	22	37	10	24	54.5	58.5	80	91	11	22
06451-3101	06451-3102	M10	14	16	21	22	37	10	24	54.5	58.5	80	91	11	22
06451-4101	06451-4102	M10	17	19	27	27.5	43	10	27	63	67.5	95	109	13	24
06451-4121	06451-4122	M12	17	19	27	27.5	43	10	27	63	67.5	95	109	13	24
06451-5121	06451-5122	M12	23	23	31	32	49	12	31.5	73	77.5	110	126	15	26
06451-5161	06451-5162	M16	23	23	31	32	49	12	31.5	73	77.5	110	126	15	26

ADJUSTABLE CLAMP HANDLES

Zinc Die Cast | Male Threads | Steel Studs | Inch



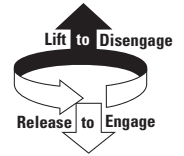
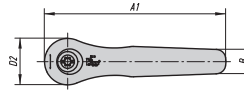
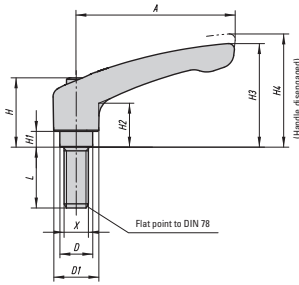
Pulling up on the handle disengages it from the spline and allows it to rotate freely for adjustment. Releasing the handle engages it for tightening or adjusting. The handle is made from zinc die cast and powder coated in either black satin or orange color finish. Internal parts and studs are made from steel with black oxide finish.

INCH

Part # Black	Part # Orange	X Thread	L	D	D1	D2	H	H1	H2	H3	H4	A	A1	B	No. Of Teeth
06460-0A01X10	06460-0A02X10	10-24	.39	.39	.51	.55	.96	.16	.57	1.18	1.30	1.18	1.46	.28	16
06460-0A01X15	06460-0A02X15	10-24	.59	.39	.51	.55	.96	.16	.57	1.18	1.30	1.18	1.46	.28	16
06460-0A01X20	06460-0A02X20	10-24	.79	.39	.51	.55	.96	.16	.57	1.18	1.30	1.18	1.46	.28	16
06460-0A01X25	06460-0A02X25	10-24	.98	.39	.51	.55	.96	.16	.57	1.18	1.30	1.18	1.46	.28	16
06460-0A01X30	06460-0A02X30	10-24	1.18	.39	.51	.55	.96	.16	.57	1.18	1.30	1.18	1.46	.28	16
06460-0A01X35	06460-0A02X35	10-24	1.38	.39	.51	.55	.96	.16	.57	1.18	1.30	1.18	1.46	.28	16
06460-0A01X40	06460-0A02X40	10-24	1.57	.39	.51	.55	.96	.16	.57	1.18	1.30	1.18	1.46	.28	16
06460-0A01X45	06460-0A02X45	10-24	1.77	.39	.51	.55	.96	.16	.57	1.18	1.30	1.18	1.46	.28	16
06460-0A01X50	06460-0A02X50	10-24	1.97	.39	.51	.55	.96	.16	.57	1.18	1.30	1.18	1.46	.28	16
06460-0A11X10	06460-0A12X10	10-32	.39	.39	.51	.55	.96	.16	.57	1.18	1.30	1.18	1.46	.28	16
06460-0A11X15	06460-0A12X15	10-32	.59	.39	.51	.55	.96	.16	.57	1.18	1.30	1.18	1.46	.28	16
06460-0A11X20	06460-0A12X20	10-32	.79	.39	.51	.55	.96	.16	.57	1.18	1.30	1.18	1.46	.28	16
06460-0A11X25	06460-0A12X25	10-32	.98	.39	.51	.55	.96	.16	.57	1.18	1.30	1.18	1.46	.28	16
06460-0A11X30	06460-0A12X30	10-32	1.18	.39	.51	.55	.96	.16	.57	1.18	1.30	1.18	1.46	.28	16
06460-0A11X35	06460-0A12X35	10-32	1.38	.39	.51	.55	.96	.16	.57	1.18	1.30	1.18	1.46	.28	16
06460-0A11X40	06460-0A12X40	10-32	1.57	.39	.51	.55	.96	.16	.57	1.18	1.30	1.18	1.46	.28	16
06460-0A11X45	06460-0A12X45	10-32	1.77	.39	.51	.55	.96	.16	.57	1.18	1.30	1.18	1.46	.28	16
06460-0A11X50	06460-0A12X50	10-32	1.97	.39	.51	.55	.96	.16	.57	1.18	1.30	1.18	1.46	.28	16
06460-0A21X10	06460-0A22X10	1/4-20	.39	.39	.51	.55	.96	.16	.57	1.18	1.30	1.18	1.46	.28	16
06460-0A21X15	06460-0A22X15	1/4-20	.59	.39	.51	.55	.96	.16	.57	1.18	1.30	1.18	1.46	.28	16
06460-0A21X20	06460-0A22X20	1/4-20	.79	.39	.51	.55	.96	.16	.57	1.18	1.30	1.18	1.46	.28	16
06460-0A21X25	06460-0A22X25	1/4-20	.98	.39	.51	.55	.96	.16	.57	1.18	1.30	1.18	1.46	.28	16
06460-0A21X30	06460-0A22X30	1/4-20	1.18	.39	.51	.55	.96	.16	.57	1.18	1.30	1.18	1.46	.28	16
06460-0A21X35	06460-0A22X35	1/4-20	1.38	.39	.51	.55	.96	.16	.57	1.18	1.30	1.18	1.46	.28	16
06460-0A21X40	06460-0A22X40	1/4-20	1.57	.39	.51	.55	.96	.16	.57	1.18	1.30	1.18	1.46	.28	16
06460-0A21X45	06460-0A22X45	1/4-20	1.77	.39	.51	.55	.96	.16	.57	1.18	1.30	1.18	1.46	.28	16
06460-0A21X50	06460-0A22X50	1/4-20	1.97	.39	.51	.55	.96	.16	.57	1.18	1.30	1.18	1.46	.28	16
06460-1A01X10	06460-1A02X10	10-24	.39	.39	.51	.55	.96	.16	.57	1.22	1.34	1.57	1.85	.28	16
06460-1A01X15	06460-1A02X15	10-24	.59	.39	.51	.55	.96	.16	.57	1.22	1.34	1.57	1.85	.28	16
06460-1A01X20	06460-1A02X20	10-24	.79	.39	.51	.55	.96	.16	.57	1.22	1.34	1.57	1.85	.28	16
06460-1A01X25	06460-1A02X25	10-24	.98	.39	.51	.55	.96	.16	.57	1.22	1.34	1.57	1.85	.28	16
06460-1A01X30	06460-1A02X30	10-24	1.18	.39	.51	.55	.96	.16	.57	1.22	1.34	1.57	1.85	.28	16
06460-1A01X35	06460-1A02X35	10-24	1.38	.39	.51	.55	.96	.16	.57	1.22	1.34	1.57	1.85	.28	16
06460-1A01X40	06460-1A02X40	10-24	1.57	.39	.51	.55	.96	.16	.57	1.22	1.34	1.57	1.85	.28	16
06460-1A01X45	06460-1A02X45	10-24	1.77	.39	.51	.55	.96	.16	.57	1.22	1.34	1.57	1.85	.28	16
06460-1A01X50	06460-1A02X50	10-24	1.97	.39	.51	.55	.96	.16	.57	1.22	1.34	1.57	1.85	.28	16
06460-1A11X10	06460-1A12X10	10-32	.39	.39	.51	.55	.96	.16	.57	1.22	1.34	1.57	1.85	.28	16
06460-1A11X15	06460-1A12X15	10-32	.59	.39	.51	.55	.96	.16	.57	1.22	1.34	1.57	1.85	.28	16
06460-1A11X20	06460-1A12X20	10-32	.79	.39	.51	.55	.96	.16	.57	1.22	1.34	1.57	1.85	.28	16
06460-1A11X25	06460-1A12X25	10-32	.98	.39	.51	.55	.96	.16	.57	1.22	1.34	1.57	1.85	.28	16
06460-1A11X30	06460-1A12X30	10-32	1.18	.39	.51	.55	.96	.16	.57	1.22	1.34	1.57	1.85	.28	16
06460-1A11X35	06460-1A12X35	10-32	1.38	.39	.51	.55	.96	.16	.57	1.22	1.34	1.57	1.85	.28	16
06460-1A11X40	06460-1A12X40	10-32	1.57	.39	.51	.55	.96	.16	.57	1.22	1.34	1.57	1.85	.28	16
06460-1A11X45	06460-1A12X45	10-32	1.77	.39	.51	.55	.96	.16	.57	1.22	1.34	1.57	1.85	.28	16
06460-1A11X50	06460-1A12X50	10-32	1.97	.39	.51	.55	.96	.16	.57	1.22	1.34	1.57	1.85	.28	16

ADJUSTABLE CLAMP HANDLES

Zinc Die Cast | Male Threads | Steel Studs | Inch (continued)

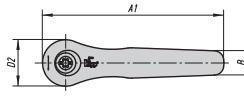
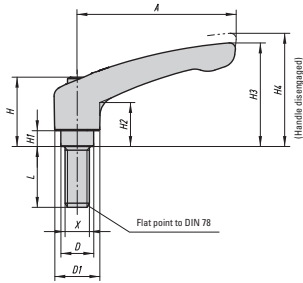


INCH (CONTINUED)

Part # Black	Part # Orange	X Thread	L	D	D1	D2	H	H1	H2	H3	H4	A	A1	B	No. Of Teeth
06460-1A21X10	06460-1A22X10	1/4-20	.39	.39	.51	.55	.96	.16	.57	1.22	1.34	1.57	1.85	.28	16
06460-1A21X15	06460-1A22X15	1/4-20	.59	.39	.51	.55	.96	.16	.57	1.22	1.34	1.57	1.85	.28	16
06460-1A21X20	06460-1A22X20	1/4-20	.79	.39	.51	.55	.96	.16	.57	1.22	1.34	1.57	1.85	.28	16
06460-1A21X25	06460-1A22X25	1/4-20	.98	.39	.51	.55	.96	.16	.57	1.22	1.34	1.57	1.85	.28	16
06460-1A21X30	06460-1A22X30	1/4-20	1.18	.39	.51	.55	.96	.16	.57	1.22	1.34	1.57	1.85	.28	16
06460-1A21X35	06460-1A22X35	1/4-20	1.38	.39	.51	.55	.96	.16	.57	1.22	1.34	1.57	1.85	.28	16
06460-1A21X40	06460-1A22X40	1/4-20	1.57	.39	.51	.55	.96	.16	.57	1.22	1.34	1.57	1.85	.28	16
06460-1A21X45	06460-1A22X45	1/4-20	1.77	.39	.51	.55	.96	.16	.57	1.22	1.34	1.57	1.85	.28	16
06460-1A21X50	06460-1A22X50	1/4-20	1.97	.39	.51	.55	.96	.16	.57	1.22	1.34	1.57	1.85	.28	16
06460-2A21X15	06460-2A22X15	1/4-20	.59	.53	.73	.75	1.12	.26	.69	1.67	1.79	2.56	2.93	.37	20
06460-2A21X20	06460-2A22X20	1/4-20	.79	.53	.73	.75	1.12	.26	.69	1.67	1.79	2.56	2.93	.37	20
06460-2A21X25	06460-2A22X25	1/4-20	.98	.53	.73	.75	1.12	.26	.69	1.67	1.79	2.56	2.93	.37	20
06460-2A21X30	06460-2A22X30	1/4-20	1.18	.53	.73	.75	1.12	.26	.69	1.67	1.79	2.56	2.93	.37	20
06460-2A21X35	06460-2A22X35	1/4-20	1.38	.53	.73	.75	1.12	.26	.69	1.67	1.79	2.56	2.93	.37	20
06460-2A21X40	06460-2A22X40	1/4-20	1.57	.53	.73	.75	1.12	.26	.69	1.67	1.79	2.56	2.93	.37	20
06460-2A21X45	06460-2A22X45	1/4-20	1.77	.53	.73	.75	1.12	.26	.69	1.67	1.79	2.56	2.93	.37	20
06460-2A21X50	06460-2A22X50	1/4-20	1.97	.53	.73	.75	1.12	.26	.69	1.67	1.79	2.56	2.93	.37	20
06460-2A21X55	06460-2A22X55	1/4-20	2.17	.53	.73	.75	1.12	.26	.69	1.67	1.79	2.56	2.93	.37	20
06460-2A21X60	06460-2A22X60	1/4-20	2.36	.53	.73	.75	1.12	.26	.69	1.67	1.79	2.56	2.93	.37	20
06460-2A31X15	06460-2A32X15	5/16-18	.59	.53	.73	.75	1.12	.26	.69	1.67	1.79	2.56	2.93	.37	20
06460-2A31X20	06460-2A32X20	5/16-18	.79	.53	.73	.75	1.12	.26	.69	1.67	1.79	2.56	2.93	.37	20
06460-2A31X25	06460-2A32X25	5/16-18	.98	.53	.73	.75	1.12	.26	.69	1.67	1.79	2.56	2.93	.37	20
06460-2A31X30	06460-2A32X30	5/16-18	1.18	.53	.73	.75	1.12	.26	.69	1.67	1.79	2.56	2.93	.37	20
06460-2A31X35	06460-2A32X35	5/16-18	1.38	.53	.73	.75	1.12	.26	.69	1.67	1.79	2.56	2.93	.37	20
06460-2A31X40	06460-2A32X40	5/16-18	1.57	.53	.73	.75	1.12	.26	.69	1.67	1.79	2.56	2.93	.37	20
06460-2A31X45	06460-2A32X45	5/16-18	1.77	.53	.73	.75	1.12	.26	.69	1.67	1.79	2.56	2.93	.37	20
06460-2A31X50	06460-2A32X50	5/16-18	1.97	.53	.73	.75	1.12	.26	.69	1.67	1.79	2.56	2.93	.37	20
06460-2A31X55	06460-2A32X55	5/16-18	2.17	.53	.73	.75	1.12	.26	.69	1.67	1.79	2.56	2.93	.37	20
06460-2A31X60	06460-2A32X60	5/16-18	2.36	.53	.73	.75	1.12	.26	.69	1.67	1.79	2.56	2.93	.37	20
06460-2A41X15	06460-2A42X15	3/8-16	.59	.53	.73	.75	1.12	.26	.69	1.67	1.79	2.56	2.93	.37	20
06460-2A41X20	06460-2A42X20	3/8-16	.79	.53	.73	.75	1.12	.26	.69	1.67	1.79	2.56	2.93	.37	20
06460-2A41X25	06460-2A42X25	3/8-16	.98	.53	.73	.75	1.12	.26	.69	1.67	1.79	2.56	2.93	.37	20
06460-2A41X30	06460-2A42X30	3/8-16	1.18	.53	.73	.75	1.12	.26	.69	1.67	1.79	2.56	2.93	.37	20
06460-2A41X35	06460-2A42X35	3/8-16	1.38	.53	.73	.75	1.12	.26	.69	1.67	1.79	2.56	2.93	.37	20
06460-2A41X40	06460-2A42X40	3/8-16	1.57	.53	.73	.75	1.12	.26	.69	1.67	1.79	2.56	2.93	.37	20
06460-2A41X45	06460-2A42X45	3/8-16	1.77	.53	.73	.75	1.12	.26	.69	1.67	1.79	2.56	2.93	.37	20
06460-2A41X50	06460-2A42X50	3/8-16	1.97	.53	.73	.75	1.12	.26	.69	1.67	1.79	2.56	2.93	.37	20
06460-2A41X55	06460-2A42X55	3/8-16	2.17	.53	.73	.75	1.12	.26	.69	1.67	1.79	2.56	2.93	.37	20
06460-2A41X60	06460-2A42X60	3/8-16	2.36	.53	.73	.75	1.12	.26	.69	1.67	1.79	2.56	2.93	.37	20
06460-3A31X15	06460-3A32X15	5/16-18	.59	.63	.83	.87	1.46	.39	.94	2.15	2.30	3.15	3.58	.43	22
06460-3A31X20	06460-3A32X20	5/16-18	.79	.63	.83	.87	1.46	.39	.94	2.15	2.30	3.15	3.58	.43	22
06460-3A31X25	06460-3A32X25	5/16-18	.98	.63	.83	.87	1.46	.39	.94	2.15	2.30	3.15	3.58	.43	22
06460-3A31X30	06460-3A32X30	5/16-18	1.18	.63	.83	.87	1.46	.39	.94	2.15	2.30	3.15	3.58	.43	22
06460-3A31X35	06460-3A32X35	5/16-18	1.38	.63	.83	.87	1.46	.39	.94	2.15	2.30	3.15	3.58	.43	22
06460-3A31X40	06460-3A32X40	5/16-18	1.57	.63	.83	.87	1.46	.39	.94	2.15	2.30	3.15	3.58	.43	22
06460-3A31X45	06460-3A32X45	5/16-18	1.77	.63	.83	.87	1.46	.39	.94	2.15	2.30	3.15	3.58	.43	22
06460-3A31X50	06460-3A32X50	5/16-18	1.97	.63	.83	.87	1.46	.39	.94	2.15	2.30	3.15	3.58	.43	22
06460-3A31X55	06460-3A32X55	5/16-18	2.17	.63	.83	.87	1.46	.39	.94	2.15	2.30	3.15	3.58	.43	22
06460-3A31X60	06460-3A32X60	5/16-18	2.36	.63	.83	.87	1.46	.39	.94	2.15	2.30	3.15	3.58	.43	22

ADJUSTABLE CLAMP HANDLES

Zinc Die Cast | Male Threads | Steel Studs | Inch (continued)

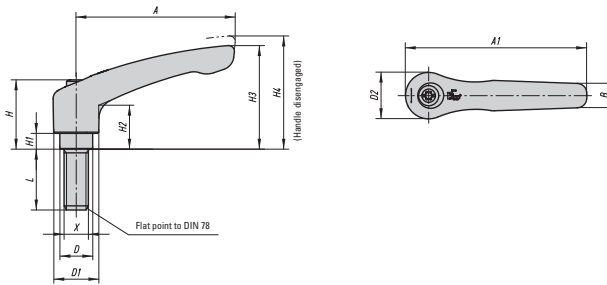


INCH (CONTINUED)

Part # Black	Part # Orange	X Thread	L	D	D1	D2	H	H1	H2	H3	H4	A	A1	B	No. Of Teeth
06460-3A41X15	06460-3A42X15	3/8-16	.59	.63	.83	.87	1.46	.39	.94	2.15	2.30	3.15	3.58	.43	22
06460-3A41X20	06460-3A42X20	3/8-16	.79	.63	.83	.87	1.46	.39	.94	2.15	2.30	3.15	3.58	.43	22
06460-3A41X25	06460-3A42X25	3/8-16	.98	.63	.83	.87	1.46	.39	.94	2.15	2.30	3.15	3.58	.43	22
06460-3A41X30	06460-3A42X30	3/8-16	1.18	.63	.83	.87	1.46	.39	.94	2.15	2.30	3.15	3.58	.43	22
06460-3A41X35	06460-3A42X35	3/8-16	1.38	.63	.83	.87	1.46	.39	.94	2.15	2.30	3.15	3.58	.43	22
06460-3A41X40	06460-3A42X40	3/8-16	1.57	.63	.83	.87	1.46	.39	.94	2.15	2.30	3.15	3.58	.43	22
06460-3A41X45	06460-3A42X45	3/8-16	1.77	.63	.83	.87	1.46	.39	.94	2.15	2.30	3.15	3.58	.43	22
06460-3A41X50	06460-3A42X50	3/8-16	1.97	.63	.83	.87	1.46	.39	.94	2.15	2.30	3.15	3.58	.43	22
06460-3A41X55	06460-3A42X55	3/8-16	2.17	.63	.83	.87	1.46	.39	.94	2.15	2.30	3.15	3.58	.43	22
06460-3A41X60	06460-3A42X60	3/8-16	2.36	.63	.83	.87	1.46	.39	.94	2.15	2.30	3.15	3.58	.43	22
06460-4A41X20	06460-4A42X20	3/8-16	.79	.75	1.06	1.08	1.69	.39	1.06	2.48	2.66	3.74	4.29	.51	24
06460-4A41X25	06460-4A42X25	3/8-16	.98	.75	1.06	1.08	1.69	.39	1.06	2.48	2.66	3.74	4.29	.51	24
06460-4A41X30	06460-4A42X30	3/8-16	1.18	.75	1.06	1.08	1.69	.39	1.06	2.48	2.66	3.74	4.29	.51	24
06460-4A41X35	06460-4A42X35	3/8-16	1.38	.75	1.06	1.08	1.69	.39	1.06	2.48	2.66	3.74	4.29	.51	24
06460-4A41X40	06460-4A42X40	3/8-16	1.57	.75	1.06	1.08	1.69	.39	1.06	2.48	2.66	3.74	4.29	.51	24
06460-4A41X45	06460-4A42X45	3/8-16	1.77	.75	1.06	1.08	1.69	.39	1.06	2.48	2.66	3.74	4.29	.51	24
06460-4A41X50	06460-4A42X50	3/8-16	1.97	.75	1.06	1.08	1.69	.39	1.06	2.48	2.66	3.74	4.29	.51	24
06460-4A41X55	06460-4A42X55	3/8-16	2.17	.75	1.06	1.08	1.69	.39	1.06	2.48	2.66	3.74	4.29	.51	24
06460-4A41X60	06460-4A42X60	3/8-16	2.36	.75	1.06	1.08	1.69	.39	1.06	2.48	2.66	3.74	4.29	.51	24
06460-4A41X70	06460-4A42X70	3/8-16	2.76	.75	1.06	1.08	1.69	.39	1.06	2.48	2.66	3.74	4.29	.51	24
06460-4A41X80	06460-4A42X80	3/8-16	3.15	.75	1.06	1.08	1.69	.39	1.06	2.48	2.66	3.74	4.29	.51	24
06460-4A41X90	06460-4A42X90	3/8-16	3.54	.75	1.06	1.08	1.69	.39	1.06	2.48	2.66	3.74	4.29	.51	24
06460-4A51X20	06460-4A52X20	1/2-13	.79	.75	1.06	1.08	1.69	.39	1.06	2.48	2.66	3.74	4.29	.51	24
06460-4A51X25	06460-4A52X25	1/2-13	.98	.75	1.06	1.08	1.69	.39	1.06	2.48	2.66	3.74	4.29	.51	24
06460-4A51X30	06460-4A52X30	1/2-13	1.18	.75	1.06	1.08	1.69	.39	1.06	2.48	2.66	3.74	4.29	.51	24
06460-4A51X35	06460-4A52X35	1/2-13	1.38	.75	1.06	1.08	1.69	.39	1.06	2.48	2.66	3.74	4.29	.51	24
06460-4A51X40	06460-4A52X40	1/2-13	1.57	.75	1.06	1.08	1.69	.39	1.06	2.48	2.66	3.74	4.29	.51	24
06460-4A51X45	06460-4A52X45	1/2-13	1.77	.75	1.06	1.08	1.69	.39	1.06	2.48	2.66	3.74	4.29	.51	24
06460-4A51X50	06460-4A52X50	1/2-13	1.97	.75	1.06	1.08	1.69	.39	1.06	2.48	2.66	3.74	4.29	.51	24
06460-4A51X55	06460-4A52X55	1/2-13	2.17	.75	1.06	1.08	1.69	.39	1.06	2.48	2.66	3.74	4.29	.51	24
06460-4A51X60	06460-4A52X60	1/2-13	2.36	.75	1.06	1.08	1.69	.39	1.06	2.48	2.66	3.74	4.29	.51	24
06460-4A51X70	06460-4A52X70	1/2-13	2.76	.75	1.06	1.08	1.69	.39	1.06	2.48	2.66	3.74	4.29	.51	24
06460-4A51X80	06460-4A52X80	1/2-13	3.15	.75	1.06	1.08	1.69	.39	1.06	2.48	2.66	3.74	4.29	.51	24
06460-4A51X90	06460-4A52X90	1/2-13	3.54	.75	1.06	1.08	1.69	.39	1.06	2.48	2.66	3.74	4.29	.51	24
06460-5A51X25	06460-5A52X25	1/2-13	.98	.91	1.22	1.26	1.93	.47	1.24	2.87	3.05	4.33	4.96	.59	26
06460-5A51X30	06460-5A52X30	1/2-13	1.18	.91	1.22	1.26	1.93	.47	1.24	2.87	3.05	4.33	4.96	.59	26
06460-5A51X35	06460-5A52X35	1/2-13	1.38	.91	1.22	1.26	1.93	.47	1.24	2.87	3.05	4.33	4.96	.59	26
06460-5A51X40	06460-5A52X40	1/2-13	1.57	.91	1.22	1.26	1.93	.47	1.24	2.87	3.05	4.33	4.96	.59	26
06460-5A51X45	06460-5A52X45	1/2-13	1.77	.91	1.22	1.26	1.93	.47	1.24	2.87	3.05	4.33	4.96	.59	26
06460-5A51X50	06460-5A52X50	1/2-13	1.97	.91	1.22	1.26	1.93	.47	1.24	2.87	3.05	4.33	4.96	.59	26
06460-5A51X55	06460-5A52X55	1/2-13	2.17	.91	1.22	1.26	1.93	.47	1.24	2.87	3.05	4.33	4.96	.59	26
06460-5A51X60	06460-5A52X60	1/2-13	2.36	.91	1.22	1.26	1.93	.47	1.24	2.87	3.05	4.33	4.96	.59	26
06460-5A51X70	06460-5A52X70	1/2-13	2.76	.91	1.22	1.26	1.93	.47	1.24	2.87	3.05	4.33	4.96	.59	26
06460-5A51X80	06460-5A52X80	1/2-13	3.15	.91	1.22	1.26	1.93	.47	1.24	2.87	3.05	4.33	4.96	.59	26
06460-5A51X90	06460-5A52X90	1/2-13	3.54	.91	1.22	1.26	1.93	.47	1.24	2.87	3.05	4.33	4.96	.59	26
06460-5A61X25	06460-5A62X25	5/8-11	.98	.91	1.22	1.26	1.93	.47	1.24	2.87	3.05	4.33	4.96	.59	26
06460-5A61X30	06460-5A62X30	5/8-11	1.18	.91	1.22	1.26	1.93	.47	1.24	2.87	3.05	4.33	4.96	.59	26
06460-5A61X35	06460-5A62X35	5/8-11	1.38	.91	1.22	1.26	1.93	.47	1.24	2.87	3.05	4.33	4.96	.59	26
06460-5A61X40	06460-5A62X40	5/8-11	1.57	.91	1.22	1.26	1.93	.47	1.24	2.87	3.05	4.33	4.96	.59	26
06460-5A61X45	06460-5A62X45	5/8-11	1.77	.91	1.22	1.26	1.93	.47	1.24	2.87	3.05	4.33	4.96	.59	26
06460-5A61X50	06460-5A62X50	5/8-11	1.97	.91	1.22	1.26	1.93	.47	1.24	2.87	3.05	4.33	4.96	.59	26
06460-5A61X55	06460-5A62X55	5/8-11	2.17	.91	1.22	1.26	1.93	.47	1.24	2.87	3.05	4.33	4.96	.59	26
06460-5A61X60	06460-5A62X60	5/8-11	2.36	.91	1.22	1.26	1.93	.47	1.24	2.87	3.05	4.33	4.96	.59	26
06460-5A61X70	06460-5A62X70	5/8-11	2.76	.91	1.22	1.26	1.93	.47	1.24	2.87	3.05	4.33	4.96	.59	26
06460-5A61X80	06460-5A62X80	5/8-11	3.15	.91	1.22	1.26	1.93	.47	1.24	2.87	3.05	4.33	4.96	.59	26
06460-5A61X90	06460-5A62X90	5/8-11	3.54	.91	1.22	1.26	1.93	.47	1.24	2.87	3.05	4.33	4.96	.59	26

ADJUSTABLE CLAMP HANDLES

Zinc Die Cast | Male Threads | Steel Studs | Metric



Pulling up on the handle disengages it from the spline and allows it to rotate freely for adjustment. Releasing the handle engages it for tightening or adjusting. The handle is made from zinc die cast and powder coated in either black satin or orange color finish. Internal parts and studs are made from steel with black oxide finish.

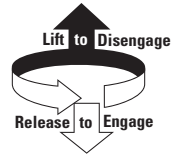
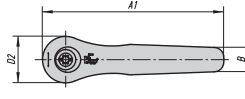
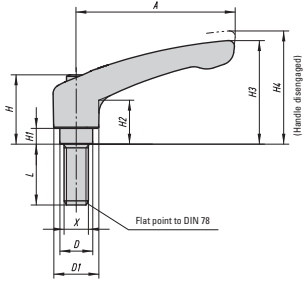
METRIC

Part # Black	Part # Orange	X Thread	L mm	D mm	D1 mm	D2 mm	H mm	H1 mm	H2 mm	H3 mm	H4 mm	A mm	A1 mm	B mm	No. Of Teeth
06460-0041X10	06460-0042X10	M4	10	10	13	14	24.5	4	14.5	30	33	30	37	7	16
06460-0041X15	06460-0042X15	M4	15	10	13	14	24.5	4	14.5	30	33	30	37	7	16
06460-0041X20	06460-0042X20	M4	20	10	13	14	24.5	4	14.5	30	33	30	37	7	16
06460-0041X25	06460-0042X25	M4	25	10	13	14	24.5	4	14.5	30	33	30	37	7	16
06460-0041X30	06460-0042X30	M4	30	10	13	14	24.5	4	14.5	30	33	30	37	7	16
06460-0041X35	06460-0042X35	M4	35	10	13	14	24.5	4	14.5	30	33	30	37	7	16
06460-0041X40	06460-0042X40	M4	40	10	13	14	24.5	4	14.5	30	33	30	37	7	16
06460-0041X45	06460-0042X45	M4	45	10	13	14	24.5	4	14.5	30	33	30	37	7	16
06460-0041X50	06460-0042X50	M4	50	10	13	14	24.5	4	14.5	30	33	30	37	7	16
06460-0051X10	06460-0052X10	M5	10	10	13	14	24.5	4	14.5	30	33	30	37	7	16
06460-0051X15	06460-0052X15	M5	15	10	13	14	24.5	4	14.5	30	33	30	37	7	16
06460-0051X20	06460-0052X20	M5	20	10	13	14	24.5	4	14.5	30	33	30	37	7	16
06460-0051X25	06460-0052X25	M5	25	10	13	14	24.5	4	14.5	30	33	30	37	7	16
06460-0051X30	06460-0052X30	M5	30	10	13	14	24.5	4	14.5	30	33	30	37	7	16
06460-0051X35	06460-0052X35	M5	35	10	13	14	24.5	4	14.5	30	33	30	37	7	16
06460-0051X40	06460-0052X40	M5	40	10	13	14	24.5	4	14.5	30	33	30	37	7	16
06460-0051X45	06460-0052X45	M5	45	10	13	14	24.5	4	14.5	30	33	30	37	7	16
06460-0051X50	06460-0052X50	M5	50	10	13	14	24.5	4	14.5	30	33	30	37	7	16
06460-1051X10	06460-1052X10	M5	10	10	13	14	24.5	4	14.5	31	34	40	47	7	16
06460-1051X15	06460-1052X15	M5	15	10	13	14	24.5	4	14.5	31	34	40	47	7	16
06460-1051X20	06460-1052X20	M5	20	10	13	14	24.5	4	14.5	31	34	40	47	7	16
06460-1051X25	06460-1052X25	M5	25	10	13	14	24.5	4	14.5	31	34	40	47	7	16
06460-1051X30	06460-1052X30	M5	30	10	13	14	24.5	4	14.5	31	34	40	47	7	16
06460-1051X35	06460-1052X35	M5	35	10	13	14	24.5	4	14.5	31	34	40	47	7	16
06460-1051X40	06460-1052X40	M5	40	10	13	14	24.5	4	14.5	31	34	40	47	7	16
06460-1051X45	06460-1052X45	M5	45	10	13	14	24.5	4	14.5	31	34	40	47	7	16
06460-1051X50	06460-1052X50	M5	50	10	13	14	24.5	4	14.5	31	34	40	47	7	16
06460-1061X10	06460-1062X10	M6	10	10	13	14	24.5	4	14.5	31	34	40	47	7	16
06460-1061X15	06460-1062X15	M6	15	10	13	14	24.5	4	14.5	31	34	40	47	7	16
06460-1061X20	06460-1062X20	M6	20	10	13	14	24.5	4	14.5	31	34	40	47	7	16
06460-1061X25	06460-1062X25	M6	25	10	13	14	24.5	4	14.5	31	34	40	47	7	16
06460-1061X30	06460-1062X30	M6	30	10	13	14	24.5	4	14.5	31	34	40	47	7	16
06460-1061X35	06460-1062X35	M6	35	10	13	14	24.5	4	14.5	31	34	40	47	7	16
06460-1061X40	06460-1062X40	M6	40	10	13	14	24.5	4	14.5	31	34	40	47	7	16
06460-1061X45	06460-1062X45	M6	45	10	13	14	24.5	4	14.5	31	34	40	47	7	16
06460-1061X50	06460-1062X50	M6	50	10	13	14	24.5	4	14.5	31	34	40	47	7	16
06460-2061X15	06460-2062X15	M6	15	13.5	18.5	19	28.5	6.5	17.5	42.5	45.5	65	74.5	9.5	20
06460-2061X20	06460-2062X20	M6	20	13.5	18.5	19	28.5	6.5	17.5	42.5	45.5	65	74.5	9.5	20
06460-2061X25	06460-2062X25	M6	25	13.5	18.5	19	28.5	6.5	17.5	42.5	45.5	65	74.5	9.5	20
06460-2061X30	06460-2062X30	M6	30	13.5	18.5	19	28.5	6.5	17.5	42.5	45.5	65	74.5	9.5	20
06460-2061X35	06460-2062X35	M6	35	13.5	18.5	19	28.5	6.5	17.5	42.5	45.5	65	74.5	9.5	20
06460-2061X40	06460-2062X40	M6	40	13.5	18.5	19	28.5	6.5	17.5	42.5	45.5	65	74.5	9.5	20
06460-2061X45	06460-2062X45	M6	45	13.5	18.5	19	28.5	6.5	17.5	42.5	45.5	65	74.5	9.5	20
06460-2061X50	06460-2062X50	M6	50	13.5	18.5	19	28.5	6.5	17.5	42.5	45.5	65	74.5	9.5	20
06460-2061X55	06460-2062X55	M6	55	13.5	18.5	19	28.5	6.5	17.5	42.5	45.5	65	74.5	9.5	20
06460-2061X60	06460-2062X60	M6	60	13.5	18.5	19	28.5	6.5	17.5	42.5	45.5	65	74.5	9.5	20



ADJUSTABLE CLAMP HANDLES

Zinc Die Cast | Male Threads | Steel Studs | Metric (continued)

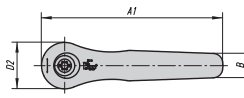
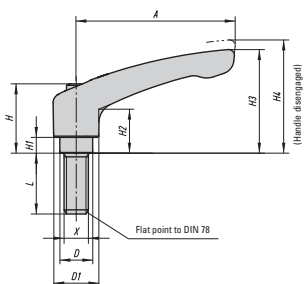


METRIC (CONTINUED)

Part # Black	Part # Orange	X Thread	L mm	D mm	D1 mm	D2 mm	H mm	H1 mm	H2 mm	H3 mm	H4 mm	A mm	A1 mm	B mm	No. Of Teeth
06460-2081X15	06460-2082X15	M8	15	13.5	18.5	19	28.5	6.5	17.5	42.5	45.5	65	74.5	9.5	20
06460-2081X20	06460-2082X20	M8	20	13.5	18.5	19	28.5	6.5	17.5	42.5	45.5	65	74.5	9.5	20
06460-2081X25	06460-2082X25	M8	25	13.5	18.5	19	28.5	6.5	17.5	42.5	45.5	65	74.5	9.5	20
06460-2081X30	06460-2082X30	M8	30	13.5	18.5	19	28.5	6.5	17.5	42.5	45.5	65	74.5	9.5	20
06460-2081X35	06460-2082X35	M8	35	13.5	18.5	19	28.5	6.5	17.5	42.5	45.5	65	74.5	9.5	20
06460-2081X40	06460-2082X40	M8	40	13.5	18.5	19	28.5	6.5	17.5	42.5	45.5	65	74.5	9.5	20
06460-2081X45	06460-2082X45	M8	45	13.5	18.5	19	28.5	6.5	17.5	42.5	45.5	65	74.5	9.5	20
06460-2081X50	06460-2082X50	M8	50	13.5	18.5	19	28.5	6.5	17.5	42.5	45.5	65	74.5	9.5	20
06460-2081X55	06460-2082X55	M8	55	13.5	18.5	19	28.5	6.5	17.5	42.5	45.5	65	74.5	9.5	20
06460-2081X60	06460-2082X60	M8	60	13.5	18.5	19	28.5	6.5	17.5	42.5	45.5	65	74.5	9.5	20
06460-2101X15	06460-2102X15	M10	15	13.5	18.5	19	28.5	6.5	17.5	42.5	45.5	65	74.5	9.5	20
06460-2101X20	06460-2102X20	M10	20	13.5	18.5	19	28.5	6.5	17.5	42.5	45.5	65	74.5	9.5	20
06460-2101X25	06460-2102X25	M10	25	13.5	18.5	19	28.5	6.5	17.5	42.5	45.5	65	74.5	9.5	20
06460-2101X30	06460-2102X30	M10	30	13.5	18.5	19	28.5	6.5	17.5	42.5	45.5	65	74.5	9.5	20
06460-2101X35	06460-2102X35	M10	35	13.5	18.5	19	28.5	6.5	17.5	42.5	45.5	65	74.5	9.5	20
06460-2101X40	06460-2102X40	M10	40	13.5	18.5	19	28.5	6.5	17.5	42.5	45.5	65	74.5	9.5	20
06460-2101X45	06460-2102X45	M10	45	13.5	18.5	19	28.5	6.5	17.5	42.5	45.5	65	74.5	9.5	20
06460-2101X50	06460-2102X50	M10	50	13.5	18.5	19	28.5	6.5	17.5	42.5	45.5	65	74.5	9.5	20
06460-2101X55	06460-2102X55	M10	55	13.5	18.5	19	28.5	6.5	17.5	42.5	45.5	65	74.5	9.5	20
06460-2101X60	06460-2102X60	M10	60	13.5	18.5	19	28.5	6.5	17.5	42.5	45.5	65	74.5	9.5	20
06460-3081X15	06460-3082X15	M8	15	16	21	22	37	10	24	54.5	58.5	80	91	11	22
06460-3081X20	06460-3082X20	M8	20	16	21	22	37	10	24	54.5	58.5	80	91	11	22
06460-3081X25	06460-3082X25	M8	25	16	21	22	37	10	24	54.5	58.5	80	91	11	22
06460-3081X30	06460-3082X30	M8	30	16	21	22	37	10	24	54.5	58.5	80	91	11	22
06460-3081X35	06460-3082X35	M8	35	16	21	22	37	10	24	54.5	58.5	80	91	11	22
06460-3081X40	06460-3082X40	M8	40	16	21	22	37	10	24	54.5	58.5	80	91	11	22
06460-3081X45	06460-3082X45	M8	45	16	21	22	37	10	24	54.5	58.5	80	91	11	22
06460-3081X50	06460-3082X50	M8	50	16	21	22	37	10	24	54.5	58.5	80	91	11	22
06460-3081X55	06460-3082X55	M8	55	16	21	22	37	10	24	54.5	58.5	80	91	11	22
06460-3081X60	06460-3082X60	M8	60	16	21	22	37	10	24	54.5	58.5	80	91	11	22
06460-3101X15	06460-3102X15	M10	15	16	21	22	37	10	24	54.5	58.5	80	91	11	22
06460-3101X20	06460-3102X20	M10	20	16	21	22	37	10	24	54.5	58.5	80	91	11	22
06460-3101X25	06460-3102X25	M10	25	16	21	22	37	10	24	54.5	58.5	80	91	11	22
06460-3101X30	06460-3102X30	M10	30	16	21	22	37	10	24	54.5	58.5	80	91	11	22
06460-3101X35	06460-3102X35	M10	35	16	21	22	37	10	24	54.5	58.5	80	91	11	22
06460-3101X40	06460-3102X40	M10	40	16	21	22	37	10	24	54.5	58.5	80	91	11	22
06460-3101X45	06460-3102X45	M10	45	16	21	22	37	10	24	54.5	58.5	80	91	11	22
06460-3101X50	06460-3102X50	M10	50	16	21	22	37	10	24	54.5	58.5	80	91	11	22
06460-3101X55	06460-3102X55	M10	55	16	21	22	37	10	24	54.5	58.5	80	91	11	22
06460-3101X60	06460-3102X60	M10	60	16	21	22	37	10	24	54.5	58.5	80	91	11	22
06460-4101X20	60460-4102X20	M10	20	19	27	27.5	43	10	27	63	67.5	95	109	13	24
06460-4101X25	60460-4102X25	M10	25	19	27	27.5	43	10	27	63	67.5	95	109	13	24
06460-4101X30	60460-4102X30	M10	30	19	27	27.5	43	10	27	63	67.5	95	109	13	24
06460-4101X35	60460-4102X35	M10	35	19	27	27.5	43	10	27	63	67.5	95	109	13	24
06460-4101X40	60460-4102X40	M10	40	19	27	27.5	43	10	27	63	67.5	95	109	13	24
06460-4101X45	60460-4102X45	M10	45	19	27	27.5	43	10	27	63	67.5	95	109	13	24
06460-4101X50	60460-4102X50	M10	50	19	27	27.5	43	10	27	63	67.5	95	109	13	24
06460-4101X55	60460-4102X55	M10	55	19	27	27.5	43	10	27	63	67.5	95	109	13	24
06460-4101X60	60460-4102X60	M10	60	19	27	27.5	43	10	27	63	67.5	95	109	13	24
06460-4101X70	60460-4102X70	M10	70	19	27	27.5	43	10	27	63	67.5	95	109	13	24
06460-4101X80	60460-4102X80	M10	80	19	27	27.5	43	10	27	63	67.5	95	109	13	24
06460-4101X90	60460-4102X90	M10	90	19	27	27.5	43	10	27	63	67.5	95	109	13	24

ADJUSTABLE CLAMP HANDLES

Zinc Die Cast | Male Threads | Steel Studs | Metric (continued)

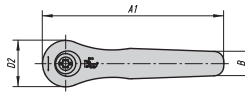
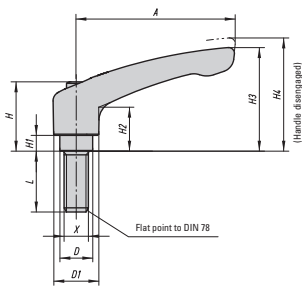


METRIC (CONTINUED)

Part # Black	Part # Orange	X Thread	L mm	D mm	D1 mm	D2 mm	H mm	H1 mm	H2 mm	H3 mm	H4 mm	A mm	A1 mm	B mm	No. Of Teeth
06460-4121X20	60460-4122X20	M12	20	19	27	27.5	43	10	27	63	67.5	95	109	13	24
06460-4121X25	60460-4122X25	M12	25	19	27	27.5	43	10	27	63	67.5	95	109	13	24
06460-4121X30	60460-4122X30	M12	30	19	27	27.5	43	10	27	63	67.5	95	109	13	24
06460-4121X35	60460-4122X35	M12	35	19	27	27.5	43	10	27	63	67.5	95	109	13	24
06460-4121X40	60460-4122X40	M12	40	19	27	27.5	43	10	27	63	67.5	95	109	13	24
06460-4121X45	60460-4122X45	M12	45	19	27	27.5	43	10	27	63	67.5	95	109	13	24
06460-4121X50	60460-4122X50	M12	50	19	27	27.5	43	10	27	63	67.5	95	109	13	24
06460-4121X55	60460-4122X55	M12	55	19	27	27.5	43	10	27	63	67.5	95	109	13	24
06460-4121X60	60460-4122X60	M12	60	19	27	27.5	43	10	27	63	67.5	95	109	13	24
06460-4121X70	60460-4122X70	M12	70	19	27	27.5	43	10	27	63	67.5	95	109	13	24
06460-4121X80	60460-4122X80	M12	80	19	27	27.5	43	10	27	63	67.5	95	109	13	24
06460-4121X90	60460-4122X90	M12	90	19	27	27.5	43	10	27	63	67.5	95	109	13	24
06460-5121X25	06460-5122X25	M12	25	23	31	32	49	12	31.5	73	77.5	110	126	15	26
06460-5121X30	06460-5122X30	M12	30	23	31	32	49	12	31.5	73	77.5	110	126	15	26
06460-5121X35	06460-5122X35	M12	35	23	31	32	49	12	31.5	73	77.5	110	126	15	26
06460-5121X40	06460-5122X40	M12	40	23	31	32	49	12	31.5	73	77.5	110	126	15	26
06460-5121X45	06460-5122X45	M12	45	23	31	32	49	12	31.5	73	77.5	110	126	15	26
06460-5121X50	06460-5122X50	M12	50	23	31	32	49	12	31.5	73	77.5	110	126	15	26
06460-5121X55	06460-5122X55	M12	55	23	31	32	49	12	31.5	73	77.5	110	126	15	26
06460-5121X60	06460-5122X60	M12	60	23	31	32	49	12	31.5	73	77.5	110	126	15	26
06460-5121X70	06460-5122X70	M12	70	23	31	32	49	12	31.5	73	77.5	110	126	15	26
06460-5121X80	06460-5122X80	M12	80	23	31	32	49	12	31.5	73	77.5	110	126	15	26
06460-5121X90	06460-5122X90	M12	90	23	31	32	49	12	31.5	73	77.5	110	126	15	26
06460-5161X25	06460-5162X25	M16	25	23	31	32	49	12	31.5	73	77.5	110	126	15	26
06460-5161X30	06460-5162X30	M16	30	23	31	32	49	12	31.5	73	77.5	110	126	15	26
06460-5161X35	06460-5162X35	M16	35	23	31	32	49	12	31.5	73	77.5	110	126	15	26
06460-5161X40	06460-5162X40	M16	40	23	31	32	49	12	31.5	73	77.5	110	126	15	26
06460-5161X45	06460-5162X45	M16	45	23	31	32	49	12	31.5	73	77.5	110	126	15	26
06460-5161X50	06460-5162X50	M16	50	23	31	32	49	12	31.5	73	77.5	110	126	15	26
06460-5161X55	06460-5162X55	M16	55	23	31	32	49	12	31.5	73	77.5	110	126	15	26
06460-5161X60	06460-5162X60	M16	60	23	31	32	49	12	31.5	73	77.5	110	126	15	26
06460-5161X70	06460-5162X70	M16	70	23	31	32	49	12	31.5	73	77.5	110	126	15	26
06460-5161X80	06460-5162X80	M16	80	23	31	32	49	12	31.5	73	77.5	110	126	15	26
06460-5161X90	06460-5162X90	M16	90	23	31	32	49	12	31.5	73	77.5	110	126	15	26

ADJUSTABLE CLAMP HANDLES

Zinc Die Cast | Male Threads | Stainless Steel Studs | Inch



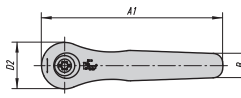
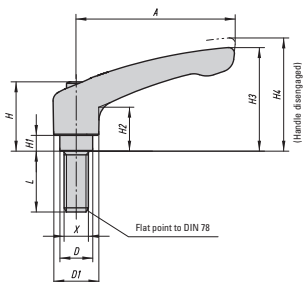
Pulling up on the handle disengages it from the spline and allows it to rotate freely for adjustment. Releasing the handle engages it for tightening or adjusting. The handle is made from zinc die cast and powder coated in either black satin or orange color finish. Internal parts and studs are made from stainless steel.

INCH

Part # Black	Part # Orange	X Thread	L	D	D1	D2	H	H1	H2	H3	H4	A	A1	B	No. Of Teeth
06461-0A01X10	06461-0A02X10	10-24	.39	.39	.51	.55	.96	.16	.57	1.18	1.30	1.18	1.46	.28	16
06461-0A01X15	06461-0A02X15	10-24	.59	.39	.51	.55	.96	.16	.57	1.18	1.30	1.18	1.46	.28	16
06461-0A01X20	06461-0A02X20	10-24	.79	.39	.51	.55	.96	.16	.57	1.18	1.30	1.18	1.46	.28	16
06461-0A01X25	06461-0A02X25	10-24	.98	.39	.51	.55	.96	.16	.57	1.18	1.30	1.18	1.46	.28	16
06461-0A11X15	06461-0A12X15	10-32	.59	.39	.51	.55	.96	.16	.57	1.18	1.30	1.18	1.46	.28	16
06461-0A11X20	06461-0A12X20	10-32	.79	.39	.51	.55	.96	.16	.57	1.18	1.30	1.18	1.46	.28	16
06461-0A11X25	06461-0A12X25	10-32	.98	.39	.51	.55	.96	.16	.57	1.18	1.30	1.18	1.46	.28	16
06461-0A21X10	06461-0A22X10	1/4-20	.39	.39	.51	.55	.96	.16	.57	1.18	1.30	1.18	1.46	.28	16
06461-0A21X15	06461-0A22X15	1/4-20	.59	.39	.51	.55	.96	.16	.57	1.18	1.30	1.18	1.46	.28	16
06461-0A21X20	06461-0A22X20	1/4-20	.79	.39	.51	.55	.96	.16	.57	1.18	1.30	1.18	1.46	.28	16
06461-0A21X25	06461-0A22X25	1/4-20	.98	.39	.51	.55	.96	.16	.57	1.18	1.30	1.18	1.46	.28	16
06461-0A21X30	06461-0A22X30	1/4-20	1.18	.39	.51	.55	.96	.16	.57	1.18	1.30	1.18	1.46	.28	16
06461-0A21X40	06461-0A22X40	1/4-20	1.57	.39	.51	.55	.96	.16	.57	1.18	1.30	1.18	1.46	.28	16
06461-0A21X50	06461-0A22X50	1/4-20	1.97	.39	.51	.55	.96	.16	.57	1.18	1.30	1.18	1.46	.28	16
06461-1A01X15	06461-1A02X15	10-24	.59	.39	.51	.55	.96	.16	.57	1.22	1.34	1.57	1.85	.28	16
06461-1A01X20	06461-1A02X20	10-24	.79	.39	.51	.55	.96	.16	.57	1.22	1.34	1.57	1.85	.28	16
06461-1A01X25	06461-1A02X25	10-24	.98	.39	.51	.55	.96	.16	.57	1.22	1.34	1.57	1.85	.28	16
06461-1A11X15	06461-1A12X15	10-32	.59	.39	.51	.55	.96	.16	.57	1.22	1.34	1.57	1.85	.28	16
06461-1A11X20	06461-1A12X20	10-32	.79	.39	.51	.55	.96	.16	.57	1.22	1.34	1.57	1.85	.28	16
06461-1A11X25	06461-1A12X25	10-32	.98	.39	.51	.55	.96	.16	.57	1.22	1.34	1.57	1.85	.28	16
06461-1A21X10	06461-1A22X10	1/4-20	.39	.39	.51	.55	.96	.16	.57	1.22	1.34	1.57	1.85	.28	16
06461-1A21X15	06461-1A22X15	1/4-20	.59	.39	.51	.55	.96	.16	.57	1.22	1.34	1.57	1.85	.28	16
06461-1A21X20	06461-1A22X20	1/4-20	.79	.39	.51	.55	.96	.16	.57	1.22	1.34	1.57	1.85	.28	16
06461-1A21X25	06461-1A22X25	1/4-20	.98	.39	.51	.55	.96	.16	.57	1.22	1.34	1.57	1.85	.28	16
06461-1A21X30	06461-1A22X30	1/4-20	1.18	.39	.51	.55	.96	.16	.57	1.22	1.34	1.57	1.85	.28	16
06461-1A21X40	06461-1A22X40	1/4-20	1.57	.39	.51	.55	.96	.16	.57	1.22	1.34	1.57	1.85	.28	16
06461-1A21X50	06461-1A22X50	1/4-20	1.97	.39	.51	.55	.96	.16	.57	1.22	1.34	1.57	1.85	.28	16
06461-2A21X15	06461-2A22X15	1/4-20	.59	.53	.73	.75	1.12	.26	.69	1.67	1.79	2.56	2.93	.37	20
06461-2A21X20	06461-2A22X20	1/4-20	.79	.53	.73	.75	1.12	.26	.69	1.67	1.79	2.56	2.93	.37	20
06461-2A21X25	06461-2A22X25	1/4-20	.98	.53	.73	.75	1.12	.26	.69	1.67	1.79	2.56	2.93	.37	20
06461-2A21X30	06461-2A22X30	1/4-20	1.18	.53	.73	.75	1.12	.26	.69	1.67	1.79	2.56	2.93	.37	20
06461-2A21X40	06461-2A22X40	1/4-20	1.57	.53	.73	.75	1.12	.26	.69	1.67	1.79	2.56	2.93	.37	20
06461-2A21X50	06461-2A22X50	1/4-20	1.97	.53	.73	.75	1.12	.26	.69	1.67	1.79	2.56	2.93	.37	20
06461-2A21X60	06461-2A22X60	1/4-20	2.36	.53	.73	.75	1.12	.26	.69	1.67	1.79	2.56	2.93	.37	20
06461-2A31X15	06461-2A32X15	5/16-18	.59	.53	.73	.75	1.12	.26	.69	1.67	1.79	2.56	2.93	.37	20
06461-2A31X20	06461-2A32X20	5/16-18	.79	.53	.73	.75	1.12	.26	.69	1.67	1.79	2.56	2.93	.37	20
06461-2A31X25	06461-2A32X25	5/16-18	.98	.53	.73	.75	1.12	.26	.69	1.67	1.79	2.56	2.93	.37	20
06461-2A31X30	06461-2A32X30	5/16-18	1.18	.53	.73	.75	1.12	.26	.69	1.67	1.79	2.56	2.93	.37	20
06461-2A31X40	06461-2A32X40	5/16-18	1.57	.53	.73	.75	1.12	.26	.69	1.67	1.79	2.56	2.93	.37	20
06461-2A31X50	06461-2A32X50	5/16-18	1.97	.53	.73	.75	1.12	.26	.69	1.67	1.79	2.56	2.93	.37	20
06461-2A31X60	06461-2A32X60	5/16-18	2.36	.53	.73	.75	1.12	.26	.69	1.67	1.79	2.56	2.93	.37	20

ADJUSTABLE CLAMP HANDLES

Zinc Die Cast | Male Threads | Stainless Steel Studs | Inch (continued)



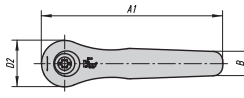
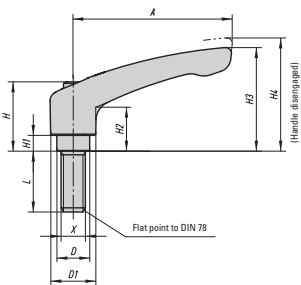
INCH (CONTINUED)

Part # Black	Part # Orange	X Thread	L	D	D1	D2	H	H1	H2	H3	H4	A	A1	B	No. Of Teeth
06461-2A41X20	06461-2A42X20	3/8-16	.79	.53	.73	.75	1.12	.26	.69	1.67	1.79	2.56	2.93	.37	20
06461-2A41X25	06461-2A42X25	3/8-16	.98	.53	.73	.75	1.12	.26	.69	1.67	1.79	2.56	2.93	.37	20
06461-2A41X30	06461-2A42X30	3/8-16	1.18	.53	.73	.75	1.12	.26	.69	1.67	1.79	2.56	2.93	.37	20
06461-2A41X40	06461-2A42X40	3/8-16	1.57	.53	.73	.75	1.12	.26	.69	1.67	1.79	2.56	2.93	.37	20
06461-2A41X50	06461-2A42X50	3/8-16	1.97	.53	.73	.75	1.12	.26	.69	1.67	1.79	2.56	2.93	.37	20
06461-2A41X60	06461-2A42X60	3/8-16	2.36	.53	.73	.75	1.12	.26	.69	1.67	1.79	2.56	2.93	.37	20
06461-3A31X20	06461-3A32X20	5/16-18	.79	.63	.83	.87	1.46	.39	.94	2.15	2.30	3.15	3.58	.43	22
06461-3A31X25	06461-3A32X25	5/16-18	.98	.63	.83	.87	1.46	.39	.94	2.15	2.30	3.15	3.58	.43	22
06461-3A31X30	06461-3A32X30	5/16-18	1.18	.63	.83	.87	1.46	.39	.94	2.15	2.30	3.15	3.58	.43	22
06461-3A31X40	06461-3A32X40	5/16-18	1.57	.63	.83	.87	1.46	.39	.94	2.15	2.30	3.15	3.58	.43	22
06461-3A31X50	06461-3A32X50	5/16-18	1.97	.63	.83	.87	1.46	.39	.94	2.15	2.30	3.15	3.58	.43	22
06461-3A31X60	06461-3A32X60	5/16-18	2.36	.63	.83	.87	1.46	.39	.94	2.15	2.30	3.15	3.58	.43	22
06461-3A41X20	06461-3A42X20	3/8-16	.79	.63	.83	.87	1.46	.39	.94	2.15	2.30	3.15	3.58	.43	22
06461-3A41X25	06461-3A42X25	3/8-16	.98	.63	.83	.87	1.46	.39	.94	2.15	2.30	3.15	3.58	.43	22
06461-3A41X30	06461-3A42X30	3/8-16	1.18	.63	.83	.87	1.46	.39	.94	2.15	2.30	3.15	3.58	.43	22
06461-3A41X40	06461-3A42X40	3/8-16	1.57	.63	.83	.87	1.46	.39	.94	2.15	2.30	3.15	3.58	.43	22
06461-3A41X50	06461-3A42X50	3/8-16	1.97	.63	.83	.87	1.46	.39	.94	2.15	2.30	3.15	3.58	.43	22
06461-3A41X60	06461-3A42X60	3/8-16	2.36	.63	.83	.87	1.46	.39	.94	2.15	2.30	3.15	3.58	.43	22
06461-4A51X25	06461-4A52X25	1/2-13	.98	.75	1.06	1.08	1.69	.39	1.06	2.48	2.66	3.74	4.29	.51	24
06461-4A51X30	06461-4A52X30	1/2-13	1.18	.75	1.06	1.08	1.69	.39	1.06	2.48	2.66	3.74	4.29	.51	24
06461-4A51X40	06461-4A52X40	1/2-13	1.57	.75	1.06	1.08	1.69	.39	1.06	2.48	2.66	3.74	4.29	.51	24
06461-4A51X50	06461-4A52X50	1/2-13	1.97	.75	1.06	1.08	1.69	.39	1.06	2.48	2.66	3.74	4.29	.51	24
06461-4A51X60	06461-4A52X60	1/2-13	2.36	.75	1.06	1.08	1.69	.39	1.06	2.48	2.66	3.74	4.29	.51	24
06461-5A61X30	06461-5A62X30	5/8-11	1.18	.91	1.22	1.26	1.93	.47	1.24	2.87	3.05	4.33	4.96	.59	26
06461-5A61X40	06461-5A62X40	5/8-11	1.57	.91	1.22	1.26	1.93	.47	1.24	2.87	3.05	4.33	4.96	.59	26
06461-5A61X50	06461-5A62X50	5/8-11	1.97	.91	1.22	1.26	1.93	.47	1.24	2.87	3.05	4.33	4.96	.59	26
06461-5A61X60	06461-5A62X60	5/8-11	2.36	.91	1.22	1.26	1.93	.47	1.24	2.87	3.05	4.33	4.96	.59	26



ADJUSTABLE CLAMP HANDLES

Zinc Die Cast | Male Threads | Stainless Steel Studs | Metric



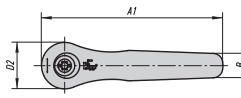
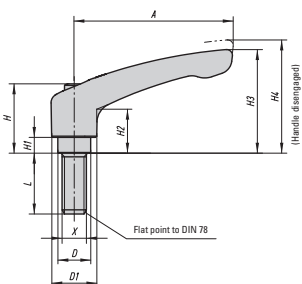
Pulling up on the handle disengages it from the spline and allows it to rotate freely for adjustment. Releasing the handle engages it for tightening or adjusting. The handle is made from zinc die cast and powder coated in either black satin or orange color finish. Internal parts and studs are made from stainless steel.

METRIC

Part # Black	Part # Orange	X Thread	L mm	D mm	D1 mm	D2 mm	H mm	H1 mm	H2 mm	H3 mm	H4 mm	A mm	A1 mm	B mm	No. Of Teeth
06461-0041X10	06461-0042X10	M4	10	10	13	14	24.5	4	14.5	30	33	30	37	7	16
06461-0041X15	06461-0042X15	M4	15	10	13	14	24.5	4	14.5	30	33	30	37	7	16
06461-0041X20	06461-0042X20	M4	20	10	13	14	24.5	4	14.5	30	33	30	37	7	16
06461-0041X25	06461-0042X25	M4	25	10	13	14	24.5	4	14.5	30	33	30	37	7	16
06461-0051X10	06461-0052X10	M5	10	10	13	14	24.5	4	14.5	30	33	30	37	7	16
06461-0051X15	06461-0052X15	M5	15	10	13	14	24.5	4	14.5	30	33	30	37	7	16
06461-0051X20	06461-0052X20	M5	20	10	13	14	24.5	4	14.5	30	33	30	37	7	16
06461-0051X25	06461-0052X25	M5	25	10	13	14	24.5	4	14.5	30	33	30	37	7	16
06461-1051X15	06461-1052X15	M5	15	10	13	14	24.5	4	14.5	31	34	40	47	7	16
06461-1051X20	06461-1052X20	M5	20	10	13	14	24.5	4	14.5	31	34	40	47	7	16
06461-1051X25	06461-1052X25	M5	25	10	13	14	24.5	4	14.5	31	34	40	47	7	16
06461-1061X10	06461-1062X10	M6	10	10	13	14	24.5	4	14.5	31	34	40	47	7	16
06461-1061X15	06461-1062X15	M6	15	10	13	14	24.5	4	14.5	31	34	40	47	7	16
06461-1061X20	06461-1062X20	M6	20	10	13	14	24.5	4	14.5	31	34	40	47	7	16
06461-1061X25	06461-1062X25	M6	25	10	13	14	24.5	4	14.5	31	34	40	47	7	16
06461-1061X30	06461-1062X30	M6	30	10	13	14	24.5	4	14.5	31	34	40	47	7	16
06461-1061X40	06461-1062X40	M6	40	10	13	14	24.5	4	14.5	31	34	40	47	7	16
06461-1061X50	06461-1062X50	M6	50	10	13	14	24.5	4	14.5	31	34	40	47	7	16
06461-2061X15	06461-2062X15	M6	15	13.5	18.5	19	28.5	6.5	17.5	42.5	45.5	65	74.5	9.5	20
06461-2061X20	06461-2062X20	M6	20	13.5	18.5	19	28.5	6.5	17.5	42.5	45.5	65	74.5	9.5	20
06461-2061X25	06461-2062X25	M6	25	13.5	18.5	19	28.5	6.5	17.5	42.5	45.5	65	74.5	9.5	20
06461-2061X30	06461-2062X30	M6	30	13.5	18.5	19	28.5	6.5	17.5	42.5	45.5	65	74.5	9.5	20
06461-2061X40	06461-2062X40	M6	40	13.5	18.5	19	28.5	6.5	17.5	42.5	45.5	65	74.5	9.5	20
06461-2061X50	06461-2062X50	M6	50	13.5	18.5	19	28.5	6.5	17.5	42.5	45.5	65	74.5	9.5	20
06461-2061X60	06461-2062X60	M6	60	13.5	18.5	19	28.5	6.5	17.5	42.5	45.5	65	74.5	9.5	20
06461-2081X15	06461-2082X15	M8	15	13.5	18.5	19	28.5	6.5	17.5	42.5	45.5	65	74.5	9.5	20
06461-2081X20	06461-2082X20	M8	20	13.5	18.5	19	28.5	6.5	17.5	42.5	45.5	65	74.5	9.5	20
06461-2081X25	06461-2082X25	M8	25	13.5	18.5	19	28.5	6.5	17.5	42.5	45.5	65	74.5	9.5	20
06461-2081X30	06461-2082X30	M8	30	13.5	18.5	19	28.5	6.5	17.5	42.5	45.5	65	74.5	9.5	20
06461-2081X40	06461-2082X40	M8	40	13.5	18.5	19	28.5	6.5	17.5	42.5	45.5	65	74.5	9.5	20
06461-2081X50	06461-2082X50	M8	50	13.5	18.5	19	28.5	6.5	17.5	42.5	45.5	65	74.5	9.5	20
06461-2081X60	06461-2082X60	M8	60	13.5	18.5	19	28.5	6.5	17.5	42.5	45.5	65	74.5	9.5	20
06461-2101X20	06461-2102X20	M10	20	13.5	18.5	19	28.5	6.5	17.5	42.5	45.5	65	74.5	9.5	20
06461-2101X25	06461-2102X25	M10	25	13.5	18.5	19	28.5	6.5	17.5	42.5	45.5	65	74.5	9.5	20
06461-2101X30	06461-2102X30	M10	30	13.5	18.5	19	28.5	6.5	17.5	42.5	45.5	65	74.5	9.5	20
06461-2101X40	06461-2102X40	M10	40	13.5	18.5	19	28.5	6.5	17.5	42.5	45.5	65	74.5	9.5	20
06461-2101X50	06461-2102X50	M10	50	13.5	18.5	19	28.5	6.5	17.5	42.5	45.5	65	74.5	9.5	20
06461-2101X60	06461-2102X60	M10	60	13.5	18.5	19	28.5	6.5	17.5	42.5	45.5	65	74.5	9.5	20
06461-3081X20	06461-3082X20	M8	20	16	21	22	37	10	24	54.5	58.5	80	91	11	22
06461-3081X25	06461-3082X25	M8	25	16	21	22	37	10	24	54.5	58.5	80	91	11	22
06461-3081X30	06461-3082X30	M8	30	16	21	22	37	10	24	54.5	58.5	80	91	11	22
06461-3081X40	06461-3082X40	M8	40	16	21	22	37	10	24	54.5	58.5	80	91	11	22
06461-3081X50	06461-3082X50	M8	50	16	21	22	37	10	24	54.5	58.5	80	91	11	22
06461-3081X60	06461-3082X60	M8	60	16	21	22	37	10	24	54.5	58.5	80	91	11	22

ADJUSTABLE CLAMP HANDLES

Zinc Die Cast | Male Threads | Stainless Steel Studs | Metric (continued)

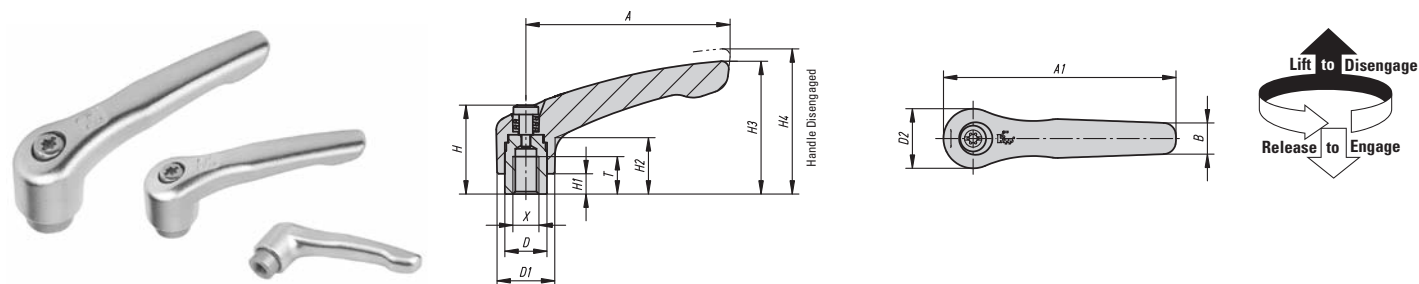


METRIC (CONTINUED)

Part # Black	Part # Orange	X Thread	L mm	D mm	D1 mm	D2 mm	H mm	H1 mm	H2 mm	H3 mm	H4 mm	A mm	A1 mm	B mm	No. Of Teeth
06461-3101X20	06461-3102X20	M10	20	16	21	22	37	10	24	54.5	58.5	80	91	11	22
06461-3101X25	06461-3102X25	M10	25	16	21	22	37	10	24	54.5	58.5	80	91	11	22
06461-3101X30	06461-3102X30	M10	30	16	21	22	37	10	24	54.5	58.5	80	91	11	22
06461-3101X40	06461-3102X40	M10	40	16	21	22	37	10	24	54.5	58.5	80	91	11	22
06461-3101X50	06461-3102X50	M10	50	16	21	22	37	10	24	54.5	58.5	80	91	11	22
06461-3101X60	06461-3102X60	M10	60	16	21	22	37	10	24	54.5	58.5	80	91	11	22
06461-4121X25	06461-4122X25	M12	25	19	27	27.5	43	10	27	63	67.5	95	109	13	24
06461-4121X30	06461-4122X30	M12	30	19	27	27.5	43	10	27	63	67.5	95	109	13	24
06461-4121X40	06461-4122X40	M12	40	19	27	27.5	43	10	27	63	67.5	95	109	13	24
06461-4121X50	06461-4122X50	M12	50	19	27	27.5	43	10	27	63	67.5	95	109	13	24
06461-4121X60	06461-4122X60	M12	60	19	27	27.5	43	10	27	63	67.5	95	109	13	24
06461-5161X30	06461-5162X30	M16	30	23	31	32	49	12	31.5	73	77.5	110	126	15	26
06461-5161X40	06461-5162X40	M16	40	23	31	32	49	12	31.5	73	77.5	110	126	15	26
06461-5161X50	06461-5162X50	M16	50	23	31	32	49	12	31.5	73	77.5	110	126	15	26
06461-5161X60	06461-5162X60	M16	60	23	31	32	49	12	31.5	73	77.5	110	126	15	26

ADJUSTABLE CLAMP HANDLES

Stainless Steel | Female Threads | Inch and Metric



Pulling up on the handle disengages it from the spline and allows it to rotate freely for adjustment. Releasing the handle engages it for tightening or adjusting. The handles and all internal components are made from stainless steel. Designed for medical, food and marine applications.

INCH

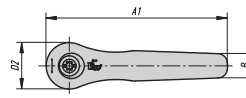
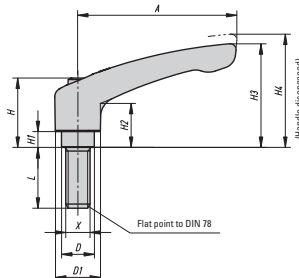
Part #	X Thread	T	D	D1	D2	H	H1	H2	H3	H4	A	A1	B	No. Of Teeth
06454-1A0	10-24	.35	.39	.51	.55	.96	.16	.57	1.22	1.34	1.57	1.85	.28	16
06454-1A1	10-32	.35	.39	.51	.55	.96	.16	.57	1.22	1.34	1.57	1.85	.28	16
06454-1A2	1/4-20	.35	.39	.51	.55	.96	.16	.57	1.22	1.34	1.57	1.85	.28	16
06454-2A2	1/4-20	.47	.53	.73	.75	1.12	.26	.69	1.67	1.79	2.56	2.93	.39	20
06454-2A3	5/16-18	.47	.53	.73	.75	1.12	.26	.69	1.67	1.79	2.56	2.93	.39	20
06454-3A3	5/16-18	.55	.63	.83	.87	1.46	.39	.94	2.15	2.30	3.15	3.58	.43	22
06454-3A4	3/8-16	.55	.63	.83	.87	1.46	.39	.94	2.15	2.30	3.15	3.58	.43	22
06454-4A4	3/8-16	.67	.75	1.06	1.08	1.69	.39	1.06	2.48	2.66	3.74	4.29	.51	24
06454-4A5	1/2-13	.67	.75	1.06	1.08	1.69	.39	1.06	2.48	2.66	3.74	4.29	.51	24

METRIC

Part #	X Thread	T mm	D mm	D1 mm	D2 mm	H mm	H1 mm	H2 mm	H3 mm	H4 mm	A mm	A1 mm	B mm	No. Of Teeth
06454-105	M5	9	10	13	14	24.5	4	14.5	31	34	40	47	7	16
06454-106	M6	9	10	13	14	24.5	4	14.5	31	34	40	47	7	16
06454-206	M6	12	13.5	18.5	19	28.5	6.5	17.5	42.5	45.5	65	74.5	10	20
06454-208	M8	12	13.5	18.5	19	28.5	6.5	17.5	42.5	45.5	65	74.5	10	20
06454-308	M8	14	16	21	22	37	10	24	54.5	58.5	80	91	11	22
06454-310	M10	14	16	21	22	37	10	24	54.5	58.5	80	91	11	22
06454-410	M10	17	19	27	27.5	43	10	27	63	67.5	95	109	13	24
06454-412	M12	17	19	27	27.5	43	10	27	63	67.5	95	109	13	24

ADJUSTABLE CLAMP HANDLES

Stainless Steel | Male Threads | Inch



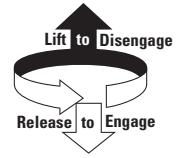
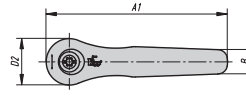
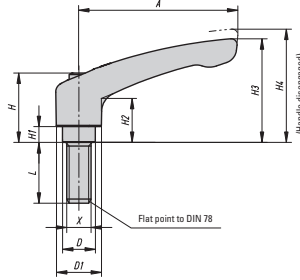
Pulling up on the handle disengages it from the spline and allows it to rotate freely for adjustment. Releasing the handle engages it for tightening or adjusting. The handles, studs and all internal components are made from stainless steel. Designed for medical, food and marine applications.

INCH

Part #	X Thread	L	D	D1	D2	H	H1	H2	H3	H4	A	A1	B	No. Of Teeth
06464-1A0X10	10-24	.39	.39	.51	.55	.96	.16	.57	1.22	1.34	1.57	1.85	.28	16
06464-1A0X15	10-24	.59	.39	.51	.55	.96	.16	.57	1.22	1.34	1.57	1.85	.28	16
06464-1A0X20	10-24	.79	.39	.51	.55	.96	.16	.57	1.22	1.34	1.57	1.85	.28	16
06464-1A0X25	10-24	.98	.39	.51	.55	.96	.16	.57	1.22	1.34	1.57	1.85	.28	16
06464-1A1X15	10-32	.59	.39	.51	.55	.96	.16	.57	1.22	1.34	1.57	1.85	.28	16
06464-1A1X20	10-32	.79	.39	.51	.55	.96	.16	.57	1.22	1.34	1.57	1.85	.28	16
06464-1A1X25	10-32	.98	.39	.51	.55	.96	.16	.57	1.22	1.34	1.57	1.85	.28	16
06464-1A2X10	1/4-20	.39	.39	.51	.55	.96	.16	.57	1.22	1.34	1.57	1.85	.28	16
06464-1A2X15	1/4-20	.59	.39	.51	.55	.96	.16	.57	1.22	1.34	1.57	1.85	.28	16
06464-1A2X20	1/4-20	.79	.39	.51	.55	.96	.16	.57	1.22	1.34	1.57	1.85	.28	16
06464-1A2X25	1/4-20	.98	.39	.51	.55	.96	.16	.57	1.22	1.34	1.57	1.85	.28	16
06464-1A2X30	1/4-20	1.18	.39	.51	.55	.96	.16	.57	1.22	1.34	1.57	1.85	.28	16
06464-1A2X40	1/4-20	1.57	.39	.51	.55	.96	.16	.57	1.22	1.34	1.57	1.85	.28	16
06464-1A2X50	1/4-20	1.97	.39	.51	.55	.96	.16	.57	1.22	1.34	1.57	1.85	.28	16
06464-2A2X15	1/4-20	.59	.53	.73	.75	1.12	.26	.69	1.67	1.79	2.56	2.93	.39	24
06464-2A2X20	1/4-20	.79	.53	.73	.75	1.12	.26	.69	1.67	1.79	2.56	2.93	.39	24
06464-2A2X25	1/4-20	.98	.53	.73	.75	1.12	.26	.69	1.67	1.79	2.56	2.93	.39	24
06464-2A2X30	1/4-20	1.18	.53	.73	.75	1.12	.26	.69	1.67	1.79	2.56	2.93	.39	24
06464-2A2X40	1/4-20	1.57	.53	.73	.75	1.12	.26	.69	1.67	1.79	2.56	2.93	.39	24
06464-2A2X50	1/4-20	1.97	.53	.73	.75	1.12	.26	.69	1.67	1.79	2.56	2.93	.39	24
06464-2A2X60	1/4-20	2.36	.53	.73	.75	1.12	.26	.69	1.67	1.79	2.56	2.93	.39	24
06464-2A3X15	5/16-18	.59	.53	.73	.75	1.12	.26	.69	1.67	1.79	2.56	2.93	.39	24
06464-2A3X20	5/16-18	.79	.53	.73	.75	1.12	.26	.69	1.67	1.79	2.56	2.93	.39	24
06464-2A3X25	5/16-18	.98	.53	.73	.75	1.12	.26	.69	1.67	1.79	2.56	2.93	.39	24
06464-2A3X30	5/16-18	1.18	.53	.73	.75	1.12	.26	.69	1.67	1.79	2.56	2.93	.39	24
06464-2A3X40	5/16-18	1.57	.53	.73	.75	1.12	.26	.69	1.67	1.79	2.56	2.93	.39	24
06464-2A3X50	5/16-18	1.97	.53	.73	.75	1.12	.26	.69	1.67	1.79	2.56	2.93	.39	24
06464-2A3X60	5/16-18	2.36	.53	.73	.75	1.12	.26	.69	1.67	1.79	2.56	2.93	.39	24
06464-2A4X20	3/8-16	.79	.53	.73	.75	1.12	.26	.69	1.67	1.79	2.56	2.93	.39	24
06464-2A4X25	3/8-16	.98	.53	.73	.75	1.12	.26	.69	1.67	1.79	2.56	2.93	.39	24
06464-2A4X30	3/8-16	1.18	.53	.73	.75	1.12	.26	.69	1.67	1.79	2.56	2.93	.39	24
06464-2A4X40	3/8-16	1.57	.53	.73	.75	1.12	.26	.69	1.67	1.79	2.56	2.93	.39	24
06464-2A4X50	3/8-16	1.97	.53	.73	.75	1.12	.26	.69	1.67	1.79	2.56	2.93	.39	24
06464-2A4X60	3/8-16	2.36	.53	.73	.75	1.12	.26	.69	1.67	1.79	2.56	2.93	.39	24
06464-3A3X20	5/16-18	.79	.63	.83	.87	1.46	.39	.94	2.15	2.30	3.15	3.58	.43	22
06464-3A3X25	5/16-18	.98	.63	.83	.87	1.46	.39	.94	2.15	2.30	3.15	3.58	.43	22
06464-3A3X30	5/16-18	1.18	.63	.83	.87	1.46	.39	.94	2.15	2.30	3.15	3.58	.43	22
06464-3A3X40	5/16-18	1.57	.63	.83	.87	1.46	.39	.94	2.15	2.30	3.15	3.58	.43	22
06464-3A3X50	5/16-18	1.97	.63	.83	.87	1.46	.39	.94	2.15	2.30	3.15	3.58	.43	22
06464-3A3X60	5/16-18	2.36	.63	.83	.87	1.46	.39	.94	2.15	2.30	3.15	3.58	.43	22
06464-3A4X20	3/8-16	.79	.63	.83	.87	1.46	.39	.94	2.15	2.30	3.15	3.58	.43	22
06464-3A4X25	3/8-16	.98	.63	.83	.87	1.46	.39	.94	2.15	2.30	3.15	3.58	.43	22
06464-3A4X30	3/8-16	1.18	.63	.83	.87	1.46	.39	.94	2.15	2.30	3.15	3.58	.43	22
06464-3A4X40	3/8-16	1.57	.63	.83	.87	1.46	.39	.94	2.15	2.30	3.15	3.58	.43	22
06464-3A4X50	3/8-16	1.97	.63	.83	.87	1.46	.39	.94	2.15	2.30	3.15	3.58	.43	22
06464-3A4X60	3/8-16	2.36	.63	.83	.87	1.46	.39	.94	2.15	2.30	3.15	3.58	.43	22
06464-4A5X25	1/2-13	.98	.75	1.06	1.08	1.69	.39	1.06	2.48	2.66	3.74	4.29	.51	24
06464-4A5X30	1/2-13	1.18	.75	1.06	1.08	1.69	.39	1.06	2.48	2.66	3.74	4.29	.51	24
06464-4A5X40	1/2-13	1.57	.75	1.06	1.08	1.69	.39	1.06	2.48	2.66	3.74	4.29	.51	24
06464-4A5X50	1/2-13	1.97	.75	1.06	1.08	1.69	.39	1.06	2.48	2.66	3.74	4.29	.51	24
06464-4A5X60	1/2-13	2.36	.75	1.06	1.08	1.69	.39	1.06	2.48	2.66	3.74	4.29	.51	24

ADJUSTABLE CLAMP HANDLES

Stainless Steel | Male Threads | Metric



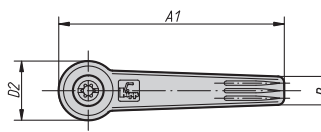
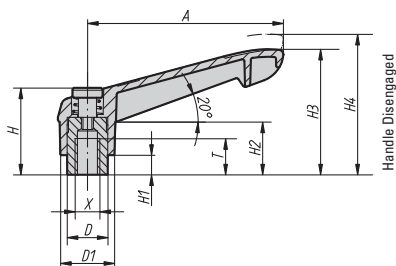
Pulling up on the handle disengages it from the spline and allows it to rotate freely for adjustment. Releasing the handle engages it for tightening or adjusting. The handles, studs and all internal components are made from stainless steel. Designed for medical, food and marine applications.

METRIC

Part #	X Thread	L mm	D mm	D1 mm	D2 mm	H mm	H1 mm	H2 mm	H3 mm	H4 mm	A mm	A1 mm	B mm	No. Of Teeth
06464-105X10	M5	10	10	13	14	24.5	4	14.5	31	34	40	47	7	16
06464-105X15	M5	15	10	13	14	24.5	4	14.5	31	34	40	47	7	16
06464-105X20	M5	20	10	13	14	24.5	4	14.5	31	34	40	47	7	16
06464-105X25	M5	25	10	13	14	24.5	4	14.5	31	34	40	47	7	16
06464-106X10	M6	10	10	13	14	24.5	4	14.5	31	34	40	47	7	16
06464-106X15	M6	15	10	13	14	24.5	4	14.5	31	34	40	47	7	16
06464-106X20	M6	20	10	13	14	24.5	4	14.5	31	34	40	47	7	16
06464-106X25	M6	25	10	13	14	24.5	4	14.5	31	34	40	47	7	16
06464-106X30	M6	30	10	13	14	24.5	4	14.5	31	34	40	47	7	16
06464-106X40	M6	40	10	13	14	24.5	4	14.5	31	34	40	47	7	16
06464-106X50	M6	50	10	13	14	24.5	4	14.5	31	34	40	47	7	16
06464-206X15	M6	15	13.5	18.5	19	28.5	6.5	17.5	42.5	45.5	65	74.5	10	20
06464-206X20	M6	20	13.5	18.5	19	28.5	6.5	17.5	42.5	45.5	65	74.5	10	20
06464-206X25	M6	25	13.5	18.5	19	28.5	6.5	17.5	42.5	45.5	65	74.5	10	20
06464-206X30	M6	30	13.5	18.5	19	28.5	6.5	17.5	42.5	45.5	65	74.5	10	20
06464-206X40	M6	40	13.5	18.5	19	28.5	6.5	17.5	42.5	45.5	65	74.5	10	20
06464-206X50	M6	50	13.5	18.5	19	28.5	6.5	17.5	42.5	45.5	65	74.5	10	20
06464-206X60	M6	60	13.5	18.5	19	28.5	6.5	17.5	42.5	45.5	65	74.5	10	20
06464-208X15	M8	15	13.5	18.5	19	28.5	6.5	17.5	42.5	45.5	65	74.5	10	20
06464-208X20	M8	20	13.5	18.5	19	28.5	6.5	17.5	42.5	45.5	65	74.5	10	20
06464-208X25	M8	25	13.5	18.5	19	28.5	6.5	17.5	42.5	45.5	65	74.5	10	20
06464-208X30	M8	30	13.5	18.5	19	28.5	6.5	17.5	42.5	45.5	65	74.5	10	20
06464-208X40	M8	40	13.5	18.5	19	28.5	6.5	17.5	42.5	45.5	65	74.5	10	20
06464-208X50	M8	50	13.5	18.5	19	28.5	6.5	17.5	42.5	45.5	65	74.5	10	20
06464-208X60	M8	60	13.5	18.5	19	28.5	6.5	17.5	42.5	45.5	65	74.5	10	20
06464-210X20	M10	20	13.5	18.5	19	28.5	6.5	17.5	42.5	45.5	65	74.5	10	20
06464-210X25	M10	25	13.5	18.5	19	28.5	6.5	17.5	42.5	45.5	65	74.5	10	20
06464-210X30	M10	30	13.5	18.5	19	28.5	6.5	17.5	42.5	45.5	65	74.5	10	20
06464-210X40	M10	40	13.5	18.5	19	28.5	6.5	17.5	42.5	45.5	65	74.5	10	20
06464-210X50	M10	50	13.5	18.5	19	28.5	6.5	17.5	42.5	45.5	65	74.5	10	20
06464-210X60	M10	60	13.5	18.5	19	28.5	6.5	17.5	42.5	45.5	65	74.5	10	20
06464-308X20	M8	20	16	21	22	37	10	24	54.5	58.5	80	91	11	22
06464-308X25	M8	25	16	21	22	37	10	24	54.5	58.5	80	91	11	22
06464-308X30	M8	30	16	21	22	37	10	24	54.5	58.5	80	91	11	22
06464-308X40	M8	40	16	21	22	37	10	24	54.5	58.5	80	91	11	22
06464-308X50	M8	50	16	21	22	37	10	24	54.5	58.5	80	91	11	22
06464-308X60	M8	60	16	21	22	37	10	24	54.5	58.5	80	91	11	22
06464-310X20	M10	20	16	21	22	37	10	24	54.5	58.5	80	91	11	22
06464-310X25	M10	25	16	21	22	37	10	24	54.5	58.5	80	91	11	22
06464-310X30	M10	30	16	21	22	37	10	24	54.5	58.5	80	91	11	22
06464-310X40	M10	40	16	21	22	37	10	24	54.5	58.5	80	91	11	22
06464-310X50	M10	50	16	21	22	37	10	24	54.5	58.5	80	91	11	22
06464-310X60	M10	60	16	21	22	37	10	24	54.5	58.5	80	91	11	22
06464-412X25	M12	25	19	27	28	43	10	27	63	67.5	95	109	13	24
06464-412X30	M12	30	19	27	28	43	10	27	63	67.5	95	109	13	24
06464-412X40	M12	40	19	27	28	43	10	27	63	67.5	95	109	13	24
06464-412X50	M12	50	19	27	28	43	10	27	63	67.5	95	109	13	24
06464-412X60	M12	60	19	27	28	43	10	27	63	67.5	95	109	13	24

ADJUSTABLE CLAMP HANDLES

Plastic | Female Threads | Steel Inserts | Inch and Metric



Pulling up on the handle disengages it from the spline and allows it to rotate freely for adjustment. Releasing the handle engages it for tightening or adjusting. The handle is made from glass fiber reinforced plastic. Internal parts are made from steel with black oxide finish. They are available in dark grey, orange, signal green, traffic red, bright yellow and traffic blue. See www.fixtureworks.net for colors.

INCH

Part #	X Thread	T	D	D1	D2	H	H1	H2	H3	H4	A	A1	B	No. Of Teeth
06600-1AE*	8-32	.35	.39	.51	.57	.96	.16	.59	1.18	1.32	1.57	1.85	.30	16
06600-1A0*	10-24	.35	.39	.51	.57	.96	.16	.59	1.18	1.32	1.57	1.85	.30	16
06600-1A2*	1/4-20	.35	.39	.51	.57	.96	.16	.59	1.18	1.32	1.57	1.85	.30	16
06600-2A2*	1/4-20	.47	.53	.71	.77	1.12	.26	.69	1.63	1.79	2.56	2.95	.37	20
06600-2A3*	5/16-18	.47	.53	.71	.77	1.12	.26	.69	1.63	1.79	2.56	2.95	.37	20
06600-3A3*	5/16-18	.55	.63	.85	.91	1.46	.39	.94	2.11	2.28	3.15	3.60	.43	22
06600-3A4*	3/8-16	.55	.63	.85	.91	1.46	.39	.94	2.11	2.28	3.15	3.60	.43	22
06600-4A4*	3/8-16	.67	.75	1.00	1.08	1.69	.39	1.02	2.40	2.60	3.74	4.29	.51	24
06600-4A5*	1/2-13	.67	.75	1.00	1.08	1.69	.39	1.02	2.40	2.60	3.74	4.29	.51	24
06600-5A5*	1/2-13	.91	.91	1.18	1.28	1.93	.47	1.30	2.83	3.03	4.33	4.96	.61	26
06600-5A6*	5/8-11	.91	.91	1.18	1.28	1.93	.47	1.30	2.83	3.03	4.33	4.96	.61	26

* Add the color to the end of the part number. Dark Grey = 1, Orange = 2, Signal Green = 86, Traffic Red = 84, Bright Yellow = 16 and Traffic Blue = 87. See www.fixtureworks.net for colors.

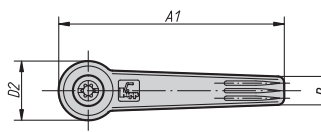
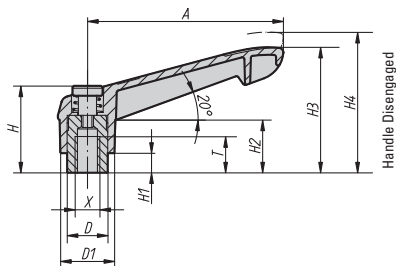
METRIC

Part #	X Thread	T mm	D mm	D1 mm	D2 mm	H mm	H1 mm	H2 mm	H3 mm	H4 mm	A mm	A1 mm	B mm	No. Of Teeth
06600-104*	M4	9	10	13	14.5	24.5	4	15	30	33.5	40	47	7.5	16
06600-105*	M5	9	10	13	14.5	24.5	4	15	30	33.5	40	47	7.5	16
06600-106*	M6	9	10	13	14.5	24.5	4	15	30	33.5	40	47	7.5	16
06600-206*	M6	12	13.5	18	19.5	28.5	6.5	17.5	41.5	45.5	65	75	9.5	20
06600-208*	M8	12	13.5	18	19.5	28.5	6.5	17.5	41.5	45.5	65	75	9.5	20
06600-308*	M8	14	16	21.5	23	37	10	24	53.5	58	80	91.5	11	22
06600-310*	M10	14	16	21.5	23	37	10	24	53.5	58	80	91.5	11	22
06600-410*	M10	17	19	25.5	27.5	43	10	26	61	66	95	109	13	24
06600-412*	M12	17	19	25.5	27.5	43	10	26	61	66	95	109	13	24
06600-512*	M12	23	23	30	32.5	49	12	33	72	77	110	126	15.5	26
06600-516*	M16	23	23	30	32.5	49	12	33	72	77	110	126	15.5	26

* Add the color to the end of the part number. Dark Grey = 1, Orange = 2, Signal Green = 86, Traffic Red = 84, Bright Yellow = 16 and Traffic Blue = 87. See www.fixtureworks.net for colors.

ADJUSTABLE CLAMP HANDLES

Plastic | Female Threads | Stainless Steel Inserts | Inch and Metric



Pulling up on the handle disengages it from the spline and allows it to rotate freely for adjustment. Releasing the handle engages it for tightening or adjusting. The handle is made from glass fiber reinforced plastic. Internal parts are made from stainless steel. They are available in dark grey, orange, signal green, traffic red, bright yellow and traffic blue. See www.fixteworks.net for colors.

INCH

Part #	X Thread	T	D	D1	D2	H	H1	H2	H3	H4	A	A1	B	No. Of Teeth
06601-1A0*	10-24	.35	.39	.51	.57	.96	.16	.59	1.18	1.32	1.57	1.85	.30	16
06601-1A2*	1/4-20	.35	.39	.51	.57	.96	.16	.59	1.18	1.32	1.57	1.85	.30	16
06601-2A2*	1/4-20	.47	.53	.71	.77	1.12	.26	.69	1.63	1.79	2.56	2.95	.37	20
06601-2A3*	5/16-18	.47	.53	.71	.77	1.12	.26	.69	1.63	1.79	2.56	2.95	.37	20
06601-3A3*	5/16-18	.55	.63	.85	.91	1.46	.39	.94	2.11	2.28	3.15	3.60	.43	22
06601-3A4*	3/8-16	.55	.63	.85	.91	1.46	.39	.94	2.11	2.28	3.15	3.60	.43	22
06601-4A4*	3/8-16	.67	.75	1.00	1.08	1.69	.39	1.02	2.40	2.60	3.74	4.29	.51	24
06601-4A5*	1/2-13	.67	.75	1.00	1.08	1.69	.39	1.02	2.40	2.60	3.74	4.29	.51	24
06601-5A5*	1/2-13	.91	.91	1.18	1.28	1.93	.47	1.30	2.83	3.03	4.33	4.96	.61	26
06601-5A6*	5/8-11	.91	.91	1.18	1.28	1.93	.47	1.30	2.83	3.03	4.33	4.96	.61	26

* Add the color to the end of the part number. Dark Grey = 1, Orange = 2, Signal Green = 86, Traffic Red = 84, Bright Yellow = 16 and Traffic Blue = 87. See www.fixteworks.net for colors.

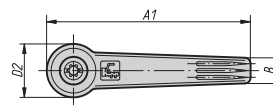
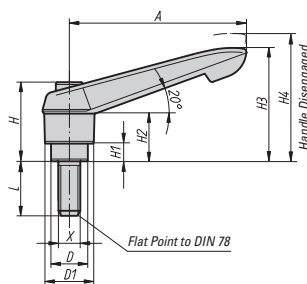
METRIC

Part #	X Thread	T mm	D mm	D1 mm	D2 mm	H mm	H1 mm	H2 mm	H3 mm	H4 mm	A mm	A1 mm	B mm	No. Of Teeth
06601-105*	M5	9	10	13	14.5	24.5	4	15	30	33.5	40	47	7.5	16
06601-106*	M6	9	10	13	14.5	24.5	4	15	30	33.5	40	47	7.5	16
06601-206*	M6	12	13.5	18	19.5	28.5	6.5	17.5	41.5	45.5	65	75	9.5	20
06601-208*	M8	12	13.5	18	19.5	28.5	6.5	17.5	41.5	45.5	65	75	9.5	20
06601-308*	M8	14	16	21.5	23	37	10	24	53.5	58	80	91.5	11	22
06601-310*	M10	14	16	21.5	23	37	10	24	53.5	58	80	91.5	11	22
06601-410*	M10	17	19	25.5	27.5	43	10	26	61	66	95	109	13	24
06601-412*	M12	17	19	25.5	27.5	43	10	26	61	66	95	109	13	24
06601-512*	M12	23	23	30	32.5	49	12	33	72	77	110	126	15.5	26
06601-516*	M16	23	23	30	32.5	49	12	33	72	77	110	126	15.5	26

* Add the color to the end of the part number. Dark Grey = 1, Orange = 2, Signal Green = 86, Traffic Red = 84, Bright Yellow = 16 and Traffic Blue = 87. See www.fixteworks.net for colors.

ADJUSTABLE CLAMP HANDLES

Plastic | Male Threads | Steel Studs | Inch



Pulling up on the handle disengages it from the spline and allows it to rotate freely for adjustment. Releasing the handle engages it for tightening or adjusting. The handle is made from glass fiber reinforced plastic. Internal parts and studs are made from steel with black oxide finish. They are available in dark grey, orange, signal green, traffic red, bright yellow and traffic blue. See www.fixtureworks.net for colors.

INCH

Part #	X Thread	L	D	D1	D2	H	H1	H2	H3	H4	A	A1	B	No. Of Teeth
06610-1A0*X10	10-24	.39	.39	.51	.57	.96	.16	.59	1.18	1.32	1.57	1.85	.30	16
06610-1A0*X15	10-24	.59	.39	.51	.57	.96	.16	.59	1.18	1.32	1.57	1.85	.30	16
06610-1A0*X20	10-24	.79	.39	.51	.57	.96	.16	.59	1.18	1.32	1.57	1.85	.30	16
06610-1A0*X25	10-24	.98	.39	.51	.57	.96	.16	.59	1.18	1.32	1.57	1.85	.30	16
06610-1A0*X30	10-24	1.18	.39	.51	.57	.96	.16	.59	1.18	1.32	1.57	1.85	.30	16
06610-1A0*X35	10-24	1.38	.39	.51	.57	.96	.16	.59	1.18	1.32	1.57	1.85	.30	16
06610-1A0*X40	10-24	1.57	.39	.51	.57	.96	.16	.59	1.18	1.32	1.57	1.85	.30	16
06610-1A0*X45	10-24	1.77	.39	.51	.57	.96	.16	.59	1.18	1.32	1.57	1.85	.30	16
06610-1A0*X50	10-24	1.97	.39	.51	.57	.96	.16	.59	1.18	1.32	1.57	1.85	.30	16
06610-1A2*X10	1/4-20	.39	.39	.51	.57	.96	.16	.59	1.18	1.32	1.57	1.85	.30	16
06610-1A2*X15	1/4-20	.59	.39	.51	.57	.96	.16	.59	1.18	1.32	1.57	1.85	.30	16
06610-1A2*X20	1/4-20	.79	.39	.51	.57	.96	.16	.59	1.18	1.32	1.57	1.85	.30	16
06610-1A2*X25	1/4-20	.98	.39	.51	.57	.96	.16	.59	1.18	1.32	1.57	1.85	.30	16
06610-1A2*X30	1/4-20	1.18	.39	.51	.57	.96	.16	.59	1.18	1.32	1.57	1.85	.30	16
06610-1A2*X35	1/4-20	1.38	.39	.51	.57	.96	.16	.59	1.18	1.32	1.57	1.85	.30	16
06610-1A2*X40	1/4-20	1.57	.39	.51	.57	.96	.16	.59	1.18	1.32	1.57	1.85	.30	16
06610-1A2*X45	1/4-20	1.77	.39	.51	.57	.96	.16	.59	1.18	1.32	1.57	1.85	.30	16
06610-1A2*X50	1/4-20	1.97	.39	.51	.57	.96	.16	.59	1.18	1.32	1.57	1.85	.30	16
06610-2A2*X15	1/4-20	.59	.53	.71	.77	1.12	.26	.69	1.63	1.79	2.56	2.95	.37	20
06610-2A2*X20	1/4-20	.79	.53	.71	.77	1.12	.26	.69	1.63	1.79	2.56	2.95	.37	20
06610-2A2*X25	1/4-20	.98	.53	.71	.77	1.12	.26	.69	1.63	1.79	2.56	2.95	.37	20
06610-2A2*X30	1/4-20	1.18	.53	.71	.77	1.12	.26	.69	1.63	1.79	2.56	2.95	.37	20
06610-2A2*X35	1/4-20	1.38	.53	.71	.77	1.12	.26	.69	1.63	1.79	2.56	2.95	.37	20
06610-2A2*X40	1/4-20	1.57	.53	.71	.77	1.12	.26	.69	1.63	1.79	2.56	2.95	.37	20
06610-2A2*X45	1/4-20	1.77	.53	.71	.77	1.12	.26	.69	1.63	1.79	2.56	2.95	.37	20
06610-2A2*X50	1/4-20	1.97	.53	.71	.77	1.12	.26	.69	1.63	1.79	2.56	2.95	.37	20
06610-2A2*X55	1/4-20	2.17	.53	.71	.77	1.12	.26	.69	1.63	1.79	2.56	2.95	.37	20
06610-2A2*X60	1/4-20	2.36	.53	.71	.77	1.12	.26	.69	1.63	1.79	2.56	2.95	.37	20
06610-2A3*X15	5/16-18	.59	.53	.71	.77	1.12	.26	.69	1.63	1.79	2.56	2.95	.37	20
06610-2A3*X20	5/16-18	.79	.53	.71	.77	1.12	.26	.69	1.63	1.79	2.56	2.95	.37	20
06610-2A3*X25	5/16-18	.98	.53	.71	.77	1.12	.26	.69	1.63	1.79	2.56	2.95	.37	20
06610-2A3*X30	5/16-18	1.18	.53	.71	.77	1.12	.26	.69	1.63	1.79	2.56	2.95	.37	20
06610-2A3*X35	5/16-18	1.38	.53	.71	.77	1.12	.26	.69	1.63	1.79	2.56	2.95	.37	20
06610-2A3*X40	5/16-18	1.57	.53	.71	.77	1.12	.26	.69	1.63	1.79	2.56	2.95	.37	20
06610-2A3*X45	5/16-18	1.77	.53	.71	.77	1.12	.26	.69	1.63	1.79	2.56	2.95	.37	20
06610-2A3*X50	5/16-18	1.97	.53	.71	.77	1.12	.26	.69	1.63	1.79	2.56	2.95	.37	20
06610-2A3*X55	5/16-18	2.17	.53	.71	.77	1.12	.26	.69	1.63	1.79	2.56	2.95	.37	20
06610-2A3*X60	5/16-18	2.36	.53	.71	.77	1.12	.26	.69	1.63	1.79	2.56	2.95	.37	20
06610-2A4*X15	3/8-16	.59	.53	.71	.77	1.12	.26	.69	1.63	1.79	2.56	2.95	.37	20
06610-2A4*X20	3/8-16	.79	.53	.71	.77	1.12	.26	.69	1.63	1.79	2.56	2.95	.37	20
06610-2A4*X25	3/8-16	.98	.53	.71	.77	1.12	.26	.69	1.63	1.79	2.56	2.95	.37	20
06610-2A4*X30	3/8-16	1.18	.53	.71	.77	1.12	.26	.69	1.63	1.79	2.56	2.95	.37	20
06610-2A4*X35	3/8-16	1.38	.53	.71	.77	1.12	.26	.69	1.63	1.79	2.56	2.95	.37	20
06610-2A4*X40	3/8-16	1.57	.53	.71	.77	1.12	.26	.69	1.63	1.79	2.56	2.95	.37	20
06610-2A4*X45	3/8-16	1.77	.53	.71	.77	1.12	.26	.69	1.63	1.79	2.56	2.95	.37	20
06610-2A4*X50	3/8-16	1.97	.53	.71	.77	1.12	.26	.69	1.63	1.79	2.56	2.95	.37	20
06610-2A4*X55	3/8-16	2.17	.53	.71	.77	1.12	.26	.69	1.63	1.79	2.56	2.95	.37	20
06610-2A4*X60	3/8-16	2.36	.53	.71	.77	1.12	.26	.69	1.63	1.79	2.56	2.95	.37	20

* Add the color to the part number here. Dark Grey = 1, Orange = 2, Signal Green = 86, Traffic Red = 84, Bright Yellow = 16 and Traffic Blue = 87. See www.fixtureworks.net for colors.



ADJUSTABLE CLAMP HANDLES

Plastic | Male Threads | Steel Studs | Inch (continued)

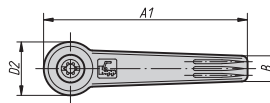
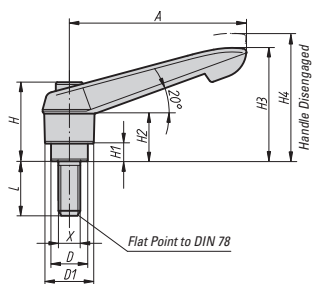
INCH (CONTINUED)

Part #	X Thread	L	D	D1	D2	H	H1	H2	H3	H4	A	A1	B	No. Of Teeth
06610-3A3*X15	5/16-18	.59	.63	.85	.91	1.46	.39	.94	2.11	2.28	3.15	3.60	.43	22
06610-3A3*X20	5/16-18	.79	.63	.85	.91	1.46	.39	.94	2.11	2.28	3.15	3.60	.43	22
06610-3A3*X25	5/16-18	.98	.63	.85	.91	1.46	.39	.94	2.11	2.28	3.15	3.60	.43	22
06610-3A3*X30	5/16-18	1.18	.63	.85	.91	1.46	.39	.94	2.11	2.28	3.15	3.60	.43	22
06610-3A3*X35	5/16-18	1.38	.63	.85	.91	1.46	.39	.94	2.11	2.28	3.15	3.60	.43	22
06610-3A3*X40	5/16-18	1.57	.63	.85	.91	1.46	.39	.94	2.11	2.28	3.15	3.60	.43	22
06610-3A3*X45	5/16-18	1.77	.63	.85	.91	1.46	.39	.94	2.11	2.28	3.15	3.60	.43	22
06610-3A3*X50	5/16-18	1.97	.63	.85	.91	1.46	.39	.94	2.11	2.28	3.15	3.60	.43	22
06610-3A3*X55	5/16-18	2.17	.63	.85	.91	1.46	.39	.94	2.11	2.28	3.15	3.60	.43	22
06610-3A3*X60	5/16-18	2.36	.63	.85	.91	1.46	.39	.94	2.11	2.28	3.15	3.60	.43	22
06610-3A4*X15	3/8-16	.59	.63	.85	.91	1.46	.39	.94	2.11	2.28	3.15	3.60	.43	22
06610-3A4*X20	3/8-16	.79	.63	.85	.91	1.46	.39	.94	2.11	2.28	3.15	3.60	.43	22
06610-3A4*X25	3/8-16	.98	.63	.85	.91	1.46	.39	.94	2.11	2.28	3.15	3.60	.43	22
06610-3A4*X30	3/8-16	1.18	.63	.85	.91	1.46	.39	.94	2.11	2.28	3.15	3.60	.43	22
06610-3A4*X35	3/8-16	1.38	.63	.85	.91	1.46	.39	.94	2.11	2.28	3.15	3.60	.43	22
06610-3A4*X40	3/8-16	1.57	.63	.85	.91	1.46	.39	.94	2.11	2.28	3.15	3.60	.43	22
06610-3A4*X45	3/8-16	1.77	.63	.85	.91	1.46	.39	.94	2.11	2.28	3.15	3.60	.43	22
06610-3A4*X50	3/8-16	1.97	.63	.85	.91	1.46	.39	.94	2.11	2.28	3.15	3.60	.43	22
06610-3A4*X55	3/8-16	2.17	.63	.85	.91	1.46	.39	.94	2.11	2.28	3.15	3.60	.43	22
06610-3A4*X60	3/8-16	2.36	.63	.85	.91	1.46	.39	.94	2.11	2.28	3.15	3.60	.43	22
06610-4A4*X20	3/8-16	.79	.75	1.00	1.08	1.69	.39	1.02	2.40	2.60	3.74	4.29	.51	24
06610-4A4*X25	3/8-16	.98	.75	1.00	1.08	1.69	.39	1.02	2.40	2.60	3.74	4.29	.51	24
06610-4A4*X30	3/8-16	1.18	.75	1.00	1.08	1.69	.39	1.02	2.40	2.60	3.74	4.29	.51	24
06610-4A4*X35	3/8-16	1.38	.75	1.00	1.08	1.69	.39	1.02	2.40	2.60	3.74	4.29	.51	24
06610-4A4*X40	3/8-16	1.57	.75	1.00	1.08	1.69	.39	1.02	2.40	2.60	3.74	4.29	.51	24
06610-4A4*X45	3/8-16	1.77	.75	1.00	1.08	1.69	.39	1.02	2.40	2.60	3.74	4.29	.51	24
06610-4A4*X50	3/8-16	1.97	.75	1.00	1.08	1.69	.39	1.02	2.40	2.60	3.74	4.29	.51	24
06610-4A4*X55	3/8-16	2.17	.75	1.00	1.08	1.69	.39	1.02	2.40	2.60	3.74	4.29	.51	24
06610-4A4*X60	3/8-16	2.36	.75	1.00	1.08	1.69	.39	1.02	2.40	2.60	3.74	4.29	.51	24
06610-4A4*X70	3/8-16	2.76	.75	1.00	1.08	1.69	.39	1.02	2.40	2.60	3.74	4.29	.51	24
06610-4A4*X80	3/8-16	3.15	.75	1.00	1.08	1.69	.39	1.02	2.40	2.60	3.74	4.29	.51	24
06610-4A4*X90	3/8-16	3.54	.75	1.00	1.08	1.69	.39	1.02	2.40	2.60	3.74	4.29	.51	24
06610-4A5*X20	1/2-13	.79	.75	1.00	1.08	1.69	.39	1.02	2.40	2.60	3.74	4.29	.51	24
06610-4A5*X25	1/2-13	.98	.75	1.00	1.08	1.69	.39	1.02	2.40	2.60	3.74	4.29	.51	24
06610-4A5*X30	1/2-13	1.18	.75	1.00	1.08	1.69	.39	1.02	2.40	2.60	3.74	4.29	.51	24
06610-4A5*X35	1/2-13	1.38	.75	1.00	1.08	1.69	.39	1.02	2.40	2.60	3.74	4.29	.51	24
06610-4A5*X40	1/2-13	1.57	.75	1.00	1.08	1.69	.39	1.02	2.40	2.60	3.74	4.29	.51	24
06610-4A5*X45	1/2-13	1.77	.75	1.00	1.08	1.69	.39	1.02	2.40	2.60	3.74	4.29	.51	24
06610-4A5*X50	1/2-13	1.97	.75	1.00	1.08	1.69	.39	1.02	2.40	2.60	3.74	4.29	.51	24
06610-4A5*X55	1/2-13	2.17	.75	1.00	1.08	1.69	.39	1.02	2.40	2.60	3.74	4.29	.51	24
06610-4A5*X60	1/2-13	2.36	.75	1.00	1.08	1.69	.39	1.02	2.40	2.60	3.74	4.29	.51	24
06610-4A5*X70	1/2-13	2.76	.75	1.00	1.08	1.69	.39	1.02	2.40	2.60	3.74	4.29	.51	24
06610-4A5*X80	1/2-13	3.15	.75	1.00	1.08	1.69	.39	1.02	2.40	2.60	3.74	4.29	.51	24
06610-4A5*X90	1/2-13	3.54	.75	1.00	1.08	1.69	.39	1.02	2.40	2.60	3.74	4.29	.51	24
06610-5A5*X25	1/2-13	.98	.91	1.18	1.28	1.93	.47	1.30	2.83	3.03	4.33	4.96	.61	26
06610-5A5*X30	1/2-13	1.18	.91	1.18	1.28	1.93	.47	1.30	2.83	3.03	4.33	4.96	.61	26
06610-5A5*X35	1/2-13	1.38	.91	1.18	1.28	1.93	.47	1.30	2.83	3.03	4.33	4.96	.61	26
06610-5A5*X40	1/2-13	1.57	.91	1.18	1.28	1.93	.47	1.30	2.83	3.03	4.33	4.96	.61	26
06610-5A5*X45	1/2-13	1.77	.91	1.18	1.28	1.93	.47	1.30	2.83	3.03	4.33	4.96	.61	26
06610-5A5*X50	1/2-13	1.97	.91	1.18	1.28	1.93	.47	1.30	2.83	3.03	4.33	4.96	.61	26
06610-5A5*X55	1/2-13	2.17	.91	1.18	1.28	1.93	.47	1.30	2.83	3.03	4.33	4.96	.61	26
06610-5A5*X60	1/2-13	2.36	.91	1.18	1.28	1.93	.47	1.30	2.83	3.03	4.33	4.96	.61	26
06610-5A5*X70	1/2-13	2.76	.91	1.18	1.28	1.93	.47	1.30	2.83	3.03	4.33	4.96	.61	26
06610-5A5*X80	1/2-13	3.15	.91	1.18	1.28	1.93	.47	1.30	2.83	3.03	4.33	4.96	.61	26
06610-5A5*X90	1/2-13	3.54	.91	1.18	1.28	1.93	.47	1.30	2.83	3.03	4.33	4.96	.61	26
06610-5A6*X25	5/8-11	.98	.91	1.18	1.28	1.93	.47	1.30	2.83	3.03	4.33	4.96	.61	26
06610-5A6*X30	5/8-11	1.18	.91	1.18	1.28	1.93	.47	1.30	2.83	3.03	4.33	4.96	.61	26
06610-5A6*X35	5/8-11	1.38	.91	1.18	1.28	1.93	.47	1.30	2.83	3.03	4.33	4.96	.61	26
06610-5A6*X40	5/8-11	1.57	.91	1.18	1.28	1.93	.47	1.30	2.83	3.03	4.33	4.96	.61	26
06610-5A6*X45	5/8-11	1.77	.91	1.18	1.28	1.93	.47	1.30	2.83	3.03	4.33	4.96	.61	26
06610-5A6*X50	5/8-11	1.97	.91	1.18	1.28	1.93	.47	1.30	2.83	3.03	4.33	4.96	.61	26
06610-5A6*X55	5/8-11	2.17	.91	1.18	1.28	1.93	.47	1.30	2.83	3.03	4.33	4.96	.61	26
06610-5A6*X60	5/8-11	2.36	.91	1.18	1.28	1.93	.47	1.30	2.83	3.03	4.33	4.96	.61	26
06610-5A6*X70	5/8-11	2.76	.91	1.18	1.28	1.93	.47	1.30	2.83	3.03	4.33	4.96	.61	26
06610-5A6*X80	5/8-11	3.15	.91	1.18	1.28	1.93	.47	1.30	2.83	3.03	4.33	4.96	.61	26
06610-5A6*X90	5/8-11	3.54	.91	1.18	1.28	1.93	.47	1.30	2.83	3.03	4.33	4.96	.61	26

* Add the color to the part number here. Dark Grey = 1, Orange = 2, Signal Green = 86, Traffic Red = 84, Bright Yellow = 16 and Traffic Blue = 87. See www.fixtureworks.net for colors.

ADJUSTABLE CLAMP HANDLES

Plastic | Male Threads | Steel Studs | Metric



Pulling up on the handle disengages it from the spline and allows it to rotate freely for adjustment. Releasing the handle engages it for tightening or adjusting. The handle is made from glass fiber reinforced plastic. Internal parts and studs are made from steel with black oxide finish. They are available in dark grey, orange, signal green, traffic red, bright yellow and traffic blue. See www.fixtureworks.net for colors.

METRIC

Part #	X Thread	L mm	D mm	D1 mm	D2 mm	H mm	H1 mm	H2 mm	H3 mm	H4 mm	A mm	A1 mm	B mm	No. Of Teeth
06610-105*X10	M5	10	10	13	14.5	24.5	4	15	30	33.5	40	47	7.5	16
06610-105*X15	M5	15	10	13	14.5	24.5	4	15	30	33.5	40	47	7.5	16
06610-105*X20	M5	20	10	13	14.5	24.5	4	15	30	33.5	40	47	7.5	16
06610-105*X25	M5	25	10	13	14.5	24.5	4	15	30	33.5	40	47	7.5	16
06610-105*X30	M5	30	10	13	14.5	24.5	4	15	30	33.5	40	47	7.5	16
06610-105*X35	M5	35	10	13	14.5	24.5	4	15	30	33.5	40	47	7.5	16
06610-105*X40	M5	40	10	13	14.5	24.5	4	15	30	33.5	40	47	7.5	16
06610-105*X45	M5	45	10	13	14.5	24.5	4	15	30	33.5	40	47	7.5	16
06610-105*X50	M5	50	10	13	14.5	24.5	4	15	30	33.5	40	47	7.5	16
06610-106*X10	M6	10	10	13	14.5	24.5	4	15	30	33.5	40	47	7.5	16
06610-106*X15	M6	15	10	13	14.5	24.5	4	15	30	33.5	40	47	7.5	16
06610-106*X20	M6	20	10	13	14.5	24.5	4	15	30	33.5	40	47	7.5	16
06610-106*X25	M6	25	10	13	14.5	24.5	4	15	30	33.5	40	47	7.5	16
06610-106*X30	M6	30	10	13	14.5	24.5	4	15	30	33.5	40	47	7.5	16
06610-106*X35	M6	35	10	13	14.5	24.5	4	15	30	33.5	40	47	7.5	16
06610-106*X40	M6	40	10	13	14.5	24.5	4	15	30	33.5	40	47	7.5	16
06610-106*X45	M6	45	10	13	14.5	24.5	4	15	30	33.5	40	47	7.5	16
06610-106*X50	M6	50	10	13	14.5	24.5	4	15	30	33.5	40	47	7.5	16
06610-206*X15	M6	15	13.5	18	19.5	28.5	6.5	17.5	41.5	45.5	65	75	9.5	20
06610-206*X20	M6	20	13.5	18	19.5	28.5	6.5	17.5	41.5	45.5	65	75	9.5	20
06610-206*X25	M6	25	13.5	18	19.5	28.5	6.5	17.5	41.5	45.5	65	75	9.5	20
06610-206*X30	M6	30	13.5	18	19.5	28.5	6.5	17.5	41.5	45.5	65	75	9.5	20
06610-206*X35	M6	35	13.5	18	19.5	28.5	6.5	17.5	41.5	45.5	65	75	9.5	20
06610-206*X40	M6	40	13.5	18	19.5	28.5	6.5	17.5	41.5	45.5	65	75	9.5	20
06610-206*X45	M6	45	13.5	18	19.5	28.5	6.5	17.5	41.5	45.5	65	75	9.5	20
06610-206*X50	M6	50	13.5	18	19.5	28.5	6.5	17.5	41.5	45.5	65	75	9.5	20
06610-206*X55	M6	55	13.5	18	19.5	28.5	6.5	17.5	41.5	45.5	65	75	9.5	20
06610-206*X60	M6	60	13.5	18	19.5	28.5	6.5	17.5	41.5	45.5	65	75	9.5	20
06610-208*X15	M8	15	13.5	18	19.5	28.5	6.5	17.5	41.5	45.5	65	75	9.5	20
06610-208*X20	M8	20	13.5	18	19.5	28.5	6.5	17.5	41.5	45.5	65	75	9.5	20
06610-208*X25	M8	25	13.5	18	19.5	28.5	6.5	17.5	41.5	45.5	65	75	9.5	20
06610-208*X30	M8	30	13.5	18	19.5	28.5	6.5	17.5	41.5	45.5	65	75	9.5	20
06610-208*X35	M8	35	13.5	18	19.5	28.5	6.5	17.5	41.5	45.5	65	75	9.5	20
06610-208*X40	M8	40	13.5	18	19.5	28.5	6.5	17.5	41.5	45.5	65	75	9.5	20
06610-208*X45	M8	45	13.5	18	19.5	28.5	6.5	17.5	41.5	45.5	65	75	9.5	20
06610-208*X50	M8	50	13.5	18	19.5	28.5	6.5	17.5	41.5	45.5	65	75	9.5	20
06610-208*X55	M8	55	13.5	18	19.5	28.5	6.5	17.5	41.5	45.5	65	75	9.5	20
06610-208*X60	M8	60	13.5	18	19.5	28.5	6.5	17.5	41.5	45.5	65	75	9.5	20
06610-210*X15	M10	15	13.5	18	19.5	28.5	6.5	17.5	41.5	45.5	65	75	9.5	20
06610-210*X20	M10	20	13.5	18	19.5	28.5	6.5	17.5	41.5	45.5	65	75	9.5	20
06610-210*X25	M10	25	13.5	18	19.5	28.5	6.5	17.5	41.5	45.5	65	75	9.5	20
06610-210*X30	M10	30	13.5	18	19.5	28.5	6.5	17.5	41.5	45.5	65	75	9.5	20
06610-210*X35	M10	35	13.5	18	19.5	28.5	6.5	17.5	41.5	45.5	65	75	9.5	20
06610-210*X40	M10	40	13.5	18	19.5	28.5	6.5	17.5	41.5	45.5	65	75	9.5	20
06610-210*X45	M10	45	13.5	18	19.5	28.5	6.5	17.5	41.5	45.5	65	75	9.5	20
06610-210*X50	M10	50	13.5	18	19.5	28.5	6.5	17.5	41.5	45.5	65	75	9.5	20
06610-210*X55	M10	55	13.5	18	19.5	28.5	6.5	17.5	41.5	45.5	65	75	9.5	20
06610-210*X60	M10	60	13.5	18	19.5	28.5	6.5	17.5	41.5	45.5	65	75	9.5	20

* Add the color to the part number here. Dark Grey = 1, Orange = 2, Signal Green = 86, Traffic Red = 84, Bright Yellow = 16 and Traffic Blue = 87. See www.fixtureworks.net for colors.



ADJUSTABLE CLAMP HANDLES

Plastic | Male Threads | Steel Studs | Metric (continued)

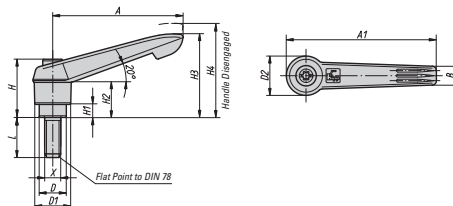
METRIC (CONTINUED)

Part #	X Thread	L mm	D mm	D1 mm	D2 mm	H mm	H1 mm	H2 mm	H3 mm	H4 mm	A mm	A1 mm	B mm	No. Of Teeth
06610-308*X15	M8	15	16	21.5	23	37	10	24	53.5	58	80	91.5	11	22
06610-308*X20	M8	20	16	21.5	23	37	10	24	53.5	58	80	91.5	11	22
06610-308*X25	M8	25	16	21.5	23	37	10	24	53.5	58	80	91.5	11	22
06610-308*X30	M8	30	16	21.5	23	37	10	24	53.5	58	80	91.5	11	22
06610-308*X35	M8	35	16	21.5	23	37	10	24	53.5	58	80	91.5	11	22
06610-308*X40	M8	40	16	21.5	23	37	10	24	53.5	58	80	91.5	11	22
06610-308*X45	M8	45	16	21.5	23	37	10	24	53.5	58	80	91.5	11	22
06610-308*X50	M8	50	16	21.5	23	37	10	24	53.5	58	80	91.5	11	22
06610-308*X55	M8	55	16	21.5	23	37	10	24	53.5	58	80	91.5	11	22
06610-308*X60	M8	60	16	21.5	23	37	10	24	53.5	58	80	91.5	11	22
06610-310*X15	M10	15	16	21.5	23	37	10	24	53.5	58	80	91.5	11	22
06610-310*X20	M10	20	16	21.5	23	37	10	24	53.5	58	80	91.5	11	22
06610-310*X25	M10	25	16	21.5	23	37	10	24	53.5	58	80	91.5	11	22
06610-310*X30	M10	30	16	21.5	23	37	10	24	53.5	58	80	91.5	11	22
06610-310*X35	M10	35	16	21.5	23	37	10	24	53.5	58	80	91.5	11	22
06610-310*X40	M10	40	16	21.5	23	37	10	24	53.5	58	80	91.5	11	22
06610-310*X45	M10	45	16	21.5	23	37	10	24	53.5	58	80	91.5	11	22
06610-310*X50	M10	50	16	21.5	23	37	10	24	53.5	58	80	91.5	11	22
06610-310*X55	M10	55	16	21.5	23	37	10	24	53.5	58	80	91.5	11	22
06610-310*X60	M10	60	16	21.5	23	37	10	24	53.5	58	80	91.5	11	22
06610-410*X20	M10	20	19	25.5	27.5	43	10	26	61	66	95	109	13	24
06610-410*X25	M10	25	19	25.5	27.5	43	10	26	61	66	95	109	13	24
06610-410*X30	M10	30	19	25.5	27.5	43	10	26	61	66	95	109	13	24
06610-410*X35	M10	35	19	25.5	27.5	43	10	26	61	66	95	109	13	24
06610-410*X40	M10	40	19	25.5	27.5	43	10	26	61	66	95	109	13	24
06610-410*X45	M10	45	19	25.5	27.5	43	10	26	61	66	95	109	13	24
06610-410*X50	M10	50	19	25.5	27.5	43	10	26	61	66	95	109	13	24
06610-410*X55	M10	55	19	25.5	27.5	43	10	26	61	66	95	109	13	24
06610-410*X60	M10	60	19	25.5	27.5	43	10	26	61	66	95	109	13	24
06610-410*X70	M10	70	19	25.5	27.5	43	10	26	61	66	95	109	13	24
06610-410*X80	M10	80	19	25.5	27.5	43	10	26	61	66	95	109	13	24
06610-410*X90	M10	90	19	25.5	27.5	43	10	26	61	66	95	109	13	24
06610-412*X20	M12	20	19	25.5	27.5	43	10	26	61	66	95	109	13	24
06610-412*X25	M12	25	19	25.5	27.5	43	10	26	61	66	95	109	13	24
06610-412*X30	M12	30	19	25.5	27.5	43	10	26	61	66	95	109	13	24
06610-412*X35	M12	35	19	25.5	27.5	43	10	26	61	66	95	109	13	24
06610-412*X40	M12	40	19	25.5	27.5	43	10	26	61	66	95	109	13	24
06610-412*X45	M12	45	19	25.5	27.5	43	10	26	61	66	95	109	13	24
06610-412*X50	M12	50	19	25.5	27.5	43	10	26	61	66	95	109	13	24
06610-412*X55	M12	55	19	25.5	27.5	43	10	26	61	66	95	109	13	24
06610-412*X60	M12	60	19	25.5	27.5	43	10	26	61	66	95	109	13	24
06610-412*X70	M12	70	19	25.5	27.5	43	10	26	61	66	95	109	13	24
06610-412*X80	M12	80	19	25.5	27.5	43	10	26	61	66	95	109	13	24
06610-412*X90	M12	90	19	25.5	27.5	43	10	26	61	66	95	109	13	24
06610-512*X25	M12	25	23	30	32.5	49	12	33	72	77	110	126	15.5	26
06610-512*X30	M12	30	23	30	32.5	49	12	33	72	77	110	126	15.5	26
06610-512*X35	M12	35	23	30	32.5	49	12	33	72	77	110	126	15.5	26
06610-512*X40	M12	40	23	30	32.5	49	12	33	72	77	110	126	15.5	26
06610-512*X45	M12	45	23	30	32.5	49	12	33	72	77	110	126	15.5	26
06610-512*X50	M12	50	23	30	32.5	49	12	33	72	77	110	126	15.5	26
06610-512*X55	M12	55	23	30	32.5	49	12	33	72	77	110	126	15.5	26
06610-512*X60	M12	60	23	30	32.5	49	12	33	72	77	110	126	15.5	26
06610-512*X70	M12	70	23	30	32.5	49	12	33	72	77	110	126	15.5	26
06610-512*X80	M12	80	23	30	32.5	49	12	33	72	77	110	126	15.5	26
06610-512*X90	M12	90	23	30	32.5	49	12	33	72	77	110	126	15.5	26
06610-516*X25	M16	25	23	30	32.5	49	12	33	72	77	110	126	15.5	26
06610-516*X30	M16	30	23	30	32.5	49	12	33	72	77	110	126	15.5	26
06610-516*X35	M16	35	23	30	32.5	49	12	33	72	77	110	126	15.5	26
06610-516*X40	M16	40	23	30	32.5	49	12	33	72	77	110	126	15.5	26
06610-516*X45	M16	45	23	30	32.5	49	12	33	72	77	110	126	15.5	26
06610-516*X50	M16	50	23	30	32.5	49	12	33	72	77	110	126	15.5	26
06610-516*X55	M16	55	23	30	32.5	49	12	33	72	77	110	126	15.5	26
06610-516*X60	M16	60	23	30	32.5	49	12	33	72	77	110	126	15.5	26
06610-516*X70	M16	70	23	30	32.5	49	12	33	72	77	110	126	15.5	26
06610-516*X80	M16	80	23	30	32.5	49	12	33	72	77	110	126	15.5	26
06610-516*X90	M16	90	23	30	32.5	49	12	33	72	77	110	126	15.5	26

* Add the color to the part number here. Dark Grey = 1, Orange = 2, Signal Green = 86, Traffic Red = 84, Bright Yellow = 16 and Traffic Blue = 87. See www.fixtureworks.net for colors.

ADJUSTABLE CLAMP HANDLES

Plastic | Male Threads | Stainless Steel Studs | Inch



Pulling up on the handle disengages it from the spline and allows it to rotate freely for adjustment. Releasing the handle engages it for tightening or adjusting. The handle is made from glass fiber reinforced plastic. Internal parts and studs are made from stainless steel. They are available in dark grey, orange, signal green, traffic red, bright yellow and traffic blue. See www.fixteworks.net for colors.

INCH

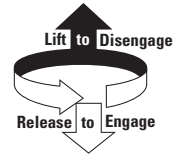
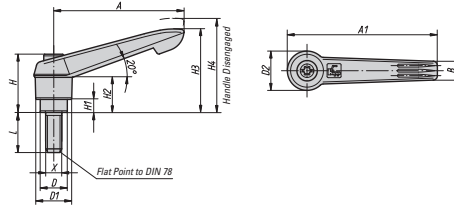
Part #	X Thread	L	D	D1	D2	H	H1	H2	H3	H4	A	A1	B	No. Of Teeth
06611-1A0*X15	10-24	.59	.39	.51	.57	.96	.16	.59	1.18	1.32	1.57	1.85	.30	16
06611-1A0*X20	10-24	.79	.39	.51	.57	.96	.16	.59	1.18	1.32	1.57	1.85	.30	16
06611-1A0*X25	10-24	.98	.39	.51	.57	.96	.16	.59	1.18	1.32	1.57	1.85	.30	16
06611-1A2*X10	1/4-20	.39	.39	.51	.57	.96	.16	.59	1.18	1.32	1.57	1.85	.30	16
06611-1A2*X15	1/4-20	.59	.39	.51	.57	.96	.16	.59	1.18	1.32	1.57	1.85	.30	16
06611-1A2*X20	1/4-20	.79	.39	.51	.57	.96	.16	.59	1.18	1.32	1.57	1.85	.30	16
06611-1A2*X25	1/4-20	.98	.39	.51	.57	.96	.16	.59	1.18	1.32	1.57	1.85	.30	16
06611-1A2*X30	1/4-20	1.18	.39	.51	.57	.96	.16	.59	1.18	1.32	1.57	1.85	.30	16
06611-1A2*X40	1/4-20	1.57	.39	.51	.57	.96	.16	.59	1.18	1.32	1.57	1.85	.30	16
06611-1A2*X50	1/4-20	1.97	.39	.51	.57	.96	.16	.59	1.18	1.32	1.57	1.85	.30	16
06611-2A2*X15	1/4-20	.59	.53	.71	.77	1.12	.26	.69	1.63	1.79	2.56	2.95	.37	20
06611-2A2*X20	1/4-20	.79	.53	.71	.77	1.12	.26	.69	1.63	1.79	2.56	2.95	.37	20
06611-2A2*X25	1/4-20	.98	.53	.71	.77	1.12	.26	.69	1.63	1.79	2.56	2.95	.37	20
06611-2A2*X30	1/4-20	1.18	.53	.71	.77	1.12	.26	.69	1.63	1.79	2.56	2.95	.37	20
06611-2A2*X40	1/4-20	1.57	.53	.71	.77	1.12	.26	.69	1.63	1.79	2.56	2.95	.37	20
06611-2A2*X50	1/4-20	1.97	.53	.71	.77	1.12	.26	.69	1.63	1.79	2.56	2.95	.37	20
06611-2A2*X60	1/4-20	2.36	.53	.71	.77	1.12	.26	.69	1.63	1.79	2.56	2.95	.37	20
06611-2A3*X15	5/16-18	.59	.53	.71	.77	1.12	.26	.69	1.63	1.79	2.56	2.95	.37	20
06611-2A3*X20	5/16-18	.79	.53	.71	.77	1.12	.26	.69	1.63	1.79	2.56	2.95	.37	20
06611-2A3*X25	5/16-18	.98	.53	.71	.77	1.12	.26	.69	1.63	1.79	2.56	2.95	.37	20
06611-2A3*X30	5/16-18	1.18	.53	.71	.77	1.12	.26	.69	1.63	1.79	2.56	2.95	.37	20
06611-2A3*X40	5/16-18	1.57	.53	.71	.77	1.12	.26	.69	1.63	1.79	2.56	2.95	.37	20
06611-2A3*X50	5/16-18	1.97	.53	.71	.77	1.12	.26	.69	1.63	1.79	2.56	2.95	.37	20
06611-2A3*X60	5/16-18	2.36	.53	.71	.77	1.12	.26	.69	1.63	1.79	2.56	2.95	.37	20
06611-2A4*X20	3/8-16	.79	.53	.71	.77	1.12	.26	.69	1.63	1.79	2.56	2.95	.37	20
06611-2A4*X25	3/8-16	.98	.53	.71	.77	1.12	.26	.69	1.63	1.79	2.56	2.95	.37	20
06611-2A4*X30	3/8-16	1.18	.53	.71	.77	1.12	.26	.69	1.63	1.79	2.56	2.95	.37	20
06611-2A4*X40	3/8-16	1.57	.53	.71	.77	1.12	.26	.69	1.63	1.79	2.56	2.95	.37	20
06611-2A4*X50	3/8-16	1.97	.53	.71	.77	1.12	.26	.69	1.63	1.79	2.56	2.95	.37	20
06611-2A4*X60	3/8-16	2.36	.53	.71	.77	1.12	.26	.69	1.63	1.79	2.56	2.95	.37	20
06611-3A3*X20	5/16-18	.79	.63	.85	.91	1.46	.39	.94	2.11	2.28	3.15	3.60	.43	22
06611-3A3*X25	5/16-18	.98	.63	.85	.91	1.46	.39	.94	2.11	2.28	3.15	3.60	.43	22
06611-3A3*X30	5/16-18	1.18	.63	.85	.91	1.46	.39	.94	2.11	2.28	3.15	3.60	.43	22
06611-3A3*X40	5/16-18	1.57	.63	.85	.91	1.46	.39	.94	2.11	2.28	3.15	3.60	.43	22
06611-3A3*X50	5/16-18	1.97	.63	.85	.91	1.46	.39	.94	2.11	2.28	3.15	3.60	.43	22
06611-3A3*X60	5/16-18	2.36	.63	.85	.91	1.46	.39	.94	2.11	2.28	3.15	3.60	.43	22
06611-3A4*X20	3/8-16	.79	.63	.85	.91	1.46	.39	.94	2.11	2.28	3.15	3.60	.43	22
06611-3A4*X25	3/8-16	.98	.63	.85	.91	1.46	.39	.94	2.11	2.28	3.15	3.60	.43	22
06611-3A4*X30	3/8-16	1.18	.63	.85	.91	1.46	.39	.94	2.11	2.28	3.15	3.60	.43	22
06611-3A4*X40	3/8-16	1.57	.63	.85	.91	1.46	.39	.94	2.11	2.28	3.15	3.60	.43	22
06611-3A4*X50	3/8-16	1.97	.63	.85	.91	1.46	.39	.94	2.11	2.28	3.15	3.60	.43	22
06611-3A4*X60	3/8-16	2.36	.63	.85	.91	1.46	.39	.94	2.11	2.28	3.15	3.60	.43	22
06611-4A5*X25	1/2-13	.98	.75	1.00	1.08	1.69	.39	1.02	2.40	2.60	3.74	4.29	.51	24
06611-4A5*X30	1/2-13	1.18	.75	1.00	1.08	1.69	.39	1.02	2.40	2.60	3.74	4.29	.51	24
06611-4A5*X40	1/2-13	1.57	.75	1.00	1.08	1.69	.39	1.02	2.40	2.60	3.74	4.29	.51	24
06611-4A5*X50	1/2-13	1.97	.75	1.00	1.08	1.69	.39	1.02	2.40	2.60	3.74	4.29	.51	24
06611-4A5*X60	1/2-13	2.36	.75	1.00	1.08	1.69	.39	1.02	2.40	2.60	3.74	4.29	.51	24
06611-5A6*X30	5/8-11	1.18	.91	1.18	1.28	1.93	.47	1.30	2.83	3.03	4.33	4.96	.61	26
06611-5A6*X40	5/8-11	1.57	.91	1.18	1.28	1.93	.47	1.30	2.83	3.03	4.33	4.96	.61	26
06611-5A6*X50	5/8-11	1.97	.91	1.18	1.28	1.93	.47	1.30	2.83	3.03	4.33	4.96	.61	26
06611-5A6*X60	5/8-11	2.36	.91	1.18	1.28	1.93	.47	1.30	2.83	3.03	4.33	4.96	.61	26

* Add the color to the part number here. Dark Grey = 1, Orange = 2, Signal Green = 86, Traffic Red = 84, Bright Yellow = 16 and Traffic Blue = 87. See www.fixteworks.net for colors.



ADJUSTABLE CLAMP HANDLES

Plastic | Male Threads | Stainless Steel Studs | Metric



Pulling up on the handle disengages it from the spline and allows it to rotate freely for adjustment. Releasing the handle engages it for tightening or adjusting. The handle is made from glass fiber reinforced plastic. Internal parts and studs are made from stainless steel. They are available in dark grey, orange, signal green, traffic red, bright yellow and traffic blue. See www.fixteworks.net for colors.

METRIC

Part #	X Thread	L mm	D mm	D1 mm	D2 mm	H mm	H1 mm	H2 mm	H3 mm	H4 mm	A mm	A1 mm	B mm	No. Of Teeth
06611-105*X15	M5	15	10	13	14.5	24.5	4	15	30	33.5	40	47	7.5	16
06611-105*X20	M5	20	10	13	14.5	24.5	4	15	30	33.5	40	47	7.5	16
06611-105*X25	M5	25	10	13	14.5	24.5	4	15	30	33.5	40	47	7.5	16
06611-106*X10	M6	10	10	13	14.5	24.5	4	15	30	33.5	40	47	7.5	16
06611-106*X15	M6	15	10	13	14.5	24.5	4	15	30	33.5	40	47	7.5	16
06611-106*X20	M6	20	10	13	14.5	24.5	4	15	30	33.5	40	47	7.5	16
06611-106*X25	M6	25	10	13	14.5	24.5	4	15	30	33.5	40	47	7.5	16
06611-106*X30	M6	30	10	13	14.5	24.5	4	15	30	33.5	40	47	7.5	16
06611-106*X40	M6	40	10	13	14.5	24.5	4	15	30	33.5	40	47	7.5	16
06611-106*X50	M6	50	10	13	14.5	24.5	4	15	30	33.5	40	47	7.5	16
06611-206*X15	M6	15	13.5	18	19.5	28.5	6.5	17.5	41.5	45.5	65	75	9.5	20
06611-206*X20	M6	20	13.5	18	19.5	28.5	6.5	17.5	41.5	45.5	65	75	9.5	20
06611-206*X25	M6	25	13.5	18	19.5	28.5	6.5	17.5	41.5	45.5	65	75	9.5	20
06611-206*X30	M6	30	13.5	18	19.5	28.5	6.5	17.5	41.5	45.5	65	75	9.5	20
06611-206*X40	M6	40	13.5	18	19.5	28.5	6.5	17.5	41.5	45.5	65	75	9.5	20
06611-206*X50	M6	50	13.5	18	19.5	28.5	6.5	17.5	41.5	45.5	65	75	9.5	20
06611-206*X60	M6	60	13.5	18	19.5	28.5	6.5	17.5	41.5	45.5	65	75	9.5	20
06611-208*X15	M8	15	13.5	18	19.5	28.5	6.5	17.5	41.5	45.5	65	75	9.5	20
06611-208*X20	M8	20	13.5	18	19.5	28.5	6.5	17.5	41.5	45.5	65	75	9.5	20
06611-208*X25	M8	25	13.5	18	19.5	28.5	6.5	17.5	41.5	45.5	65	75	9.5	20
06611-208*X30	M8	30	13.5	18	19.5	28.5	6.5	17.5	41.5	45.5	65	75	9.5	20
06611-208*X40	M8	40	13.5	18	19.5	28.5	6.5	17.5	41.5	45.5	65	75	9.5	20
06611-208*X50	M8	50	13.5	18	19.5	28.5	6.5	17.5	41.5	45.5	65	75	9.5	20
06611-208*X60	M8	60	13.5	18	19.5	28.5	6.5	17.5	41.5	45.5	65	75	9.5	20
06611-210*X20	M10	20	13.5	18	19.5	28.5	6.5	17.5	41.5	45.5	65	75	9.5	20
06611-210*X25	M10	25	13.5	18	19.5	28.5	6.5	17.5	41.5	45.5	65	75	9.5	20
06611-210*X30	M10	30	13.5	18	19.5	28.5	6.5	17.5	41.5	45.5	65	75	9.5	20
06611-210*X40	M10	40	13.5	18	19.5	28.5	6.5	17.5	41.5	45.5	65	75	9.5	20
06611-210*X50	M10	50	13.5	18	19.5	28.5	6.5	17.5	41.5	45.5	65	75	9.5	20
06611-210*X60	M10	60	13.5	18	19.5	28.5	6.5	17.5	41.5	45.5	65	75	9.5	20
06611-308*X20	M8	20	16	21.5	23	37	10	24	53.5	58	80	91.5	11	22
06611-308*X25	M8	25	16	21.5	23	37	10	24	53.5	58	80	91.5	11	22
06611-308*X30	M8	30	16	21.5	23	37	10	24	53.5	58	80	91.5	11	22
06611-308*X40	M8	40	16	21.5	23	37	10	24	53.5	58	80	91.5	11	22
06611-308*X50	M8	50	16	21.5	23	37	10	24	53.5	58	80	91.5	11	22
06611-308*X60	M8	60	16	21.5	23	37	10	24	53.5	58	80	91.5	11	22
06611-310*X20	M10	20	16	21.5	23	37	10	24	53.5	58	80	91.5	11	22
06611-310*X25	M10	25	16	21.5	23	37	10	24	53.5	58	80	91.5	11	22
06611-310*X30	M10	30	16	21.5	23	37	10	24	53.5	58	80	91.5	11	22
06611-310*X40	M10	40	16	21.5	23	37	10	24	53.5	58	80	91.5	11	22
06611-310*X50	M10	50	16	21.5	23	37	10	24	53.5	58	80	91.5	11	22
06611-310*X60	M10	60	16	21.5	23	37	10	24	53.5	58	80	91.5	11	22
06611-412*X25	M12	25	19	25.5	27.5	43	10	26	61	66	95	109	13	24
06611-412*X30	M12	30	19	25.5	27.5	43	10	26	61	66	95	109	13	24
06611-412*X40	M12	40	19	25.5	27.5	43	10	26	61	66	95	109	13	24
06611-412*X50	M12	50	19	25.5	27.5	43	10	26	61	66	95	109	13	24
06611-412*X60	M12	60	19	25.5	27.5	43	10	26	61	66	95	109	13	24
06611-516*X30	M16	30	23	30	32.5	49	12	33	72	77	110	126	15.5	26
06611-516*X40	M16	40	23	30	32.5	49	12	33	72	77	110	126	15.5	26
06611-516*X50	M16	50	23	30	32.5	49	12	33	72	77	110	126	15.5	26
06611-516*X60	M16	60	23	30	32.5	49	12	33	72	77	110	126	15.5	26

* Add the color to the part number here. Dark Grey = 1, Orange = 2, Signal Green = 86, Traffic Red = 84, Bright Yellow = 16 and Traffic Blue = 87. See www.fixteworks.net for colors.