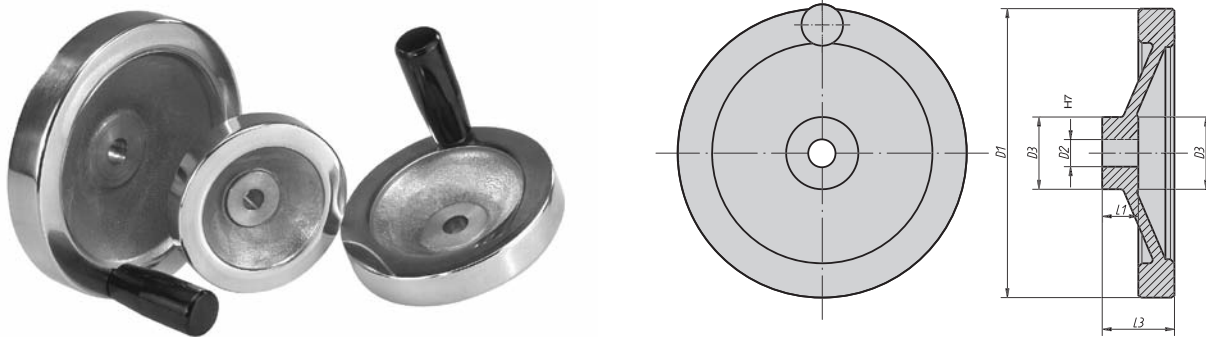


DISC HAND WHEELS

Aluminum | Without Machine Handle | Inch and Metric



These hand wheels are made from aluminum. The rim is turned and polished.

INCH

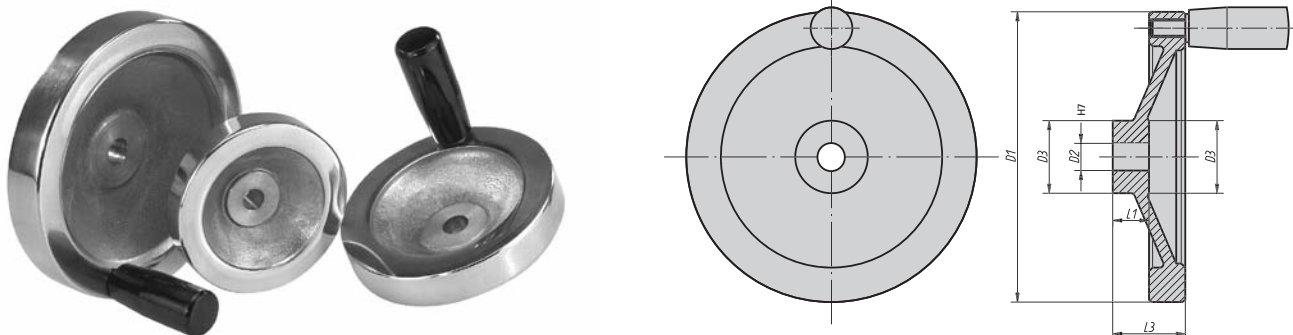
Part #	D2	Part #	D2	D1	D3	L1	L3
06275-0080XCN	.312	06275-0080XCO	.375	3.15	.98	.63	1.22
06275-0100XCO	.375	06275-0100XCP	.500	3.94	1.22	.67	1.34
06275-0125XCO	.375	06275-0125XCP	.500	4.92	1.18	.71	1.46
06275-0140XCP	.500	06275-0140XCQ	.625	5.51	1.34	.75	1.34
06275-0160XCP	.500	06275-0160XCQ	.625	6.30	1.57	.79	1.57
06275-0200XCQ	.625	06275-0200XCR	.750	7.87	1.97	.94	1.81
06275-0250XCR	.750	06275-0250XCV	.875	9.84	1.97	1.10	1.93

METRIC

Part #	D2 mm	Part #	D2 mm	D1 mm	D3 mm	L1 mm	L3 mm
06275-0080X10	10	06275-0080X12	12	80	25	16	31
06275-0100X10	10	06275-0100X12	12	100	31	17	34
06275-0125X12	12	06275-0125X14	14	125	30	18	37
06275-0140X14	14	06275-0140X15	15	140	34	19	34
06275-0160X15	15	06275-0160X16	16	160	40	20	40
06275-0200X18	18	06275-0200X20	20	200	50	24	46
06275-0250X22	22	06275-0250X24	24	250	50	28	49

DISC HAND WHEELS

Aluminum | Fixed Machine Handle | Inch and Metric



These hand wheels are made from aluminum. The rim is turned and polished. The fixed handle is made from duroplast plastic. The axle part of the handle is steel with black oxide finish.

INCH

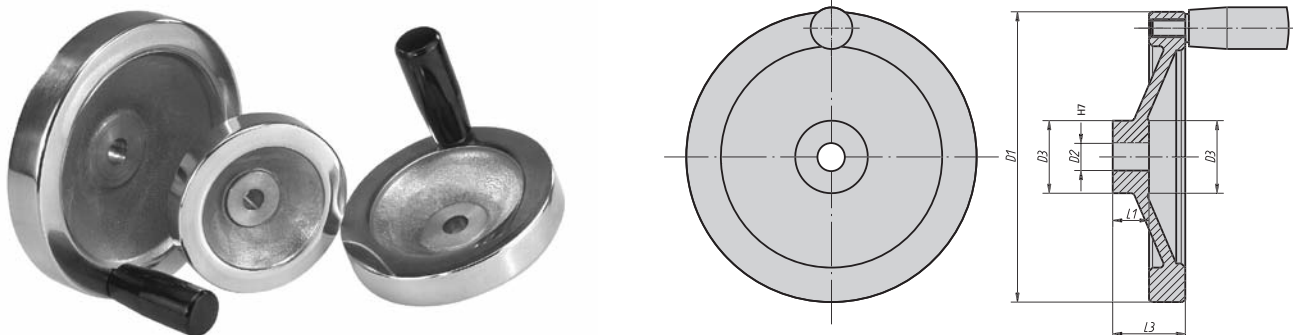
Part #	D2	Part #	D2	D1	D3	L1	L3	Handle Dia.	Handle Lgth
06275-2080XCN	.312	06275-2080XCO	.375	3.15	.98	.63	1.22	.71	1.57
06275-2100XCO	.375	06275-2100XCP	.500	3.94	1.22	.67	1.34	.71	1.57
06275-2125XCO	.375	06275-2125XCP	.500	4.92	1.18	.71	1.46	.83	1.97
06275-2140XCP	.500	06275-2140XCQ	.625	5.51	1.34	.75	1.34	.83	1.97
06275-2160XCP	.500	06275-2160XCQ	.625	6.30	1.57	.79	1.57	1.02	3.15
06275-2200XCQ	.625	06275-2200XCR	.750	7.87	1.97	.94	1.81	1.02	3.15
06275-2250XCR	.750	06275-2250XCV	.875	9.84	1.97	1.10	1.93	1.10	3.54

METRIC

Part #	D2 mm	Part #	D2 mm	D1 mm	D3 mm	L1 mm	L3 mm	Handle Dia. mm	Handle Lgth mm
06275-2080X10	10	06275-2080X12	12	80	25	16	31	18	40
06275-2100X10	10	06275-2100X12	12	100	31	17	34	18	40
06275-2125X12	12	06275-2125X14	14	125	30	18	37	21	50
06275-2140X14	14	06275-2140X15	15	140	34	19	34	21	50
06275-2160X15	15	06275-2160X16	16	160	40	20	40	26	80
06275-2200X18	18	06275-2200X20	20	200	50	24	46	26	80
06275-2250X22	22	06275-2250X24	24	250	50	28	49	28	90

DISC HAND WHEELS

Aluminum | Revolving Machine Handle | Inch and Metric



These hand wheels are made from aluminum. The rim is turned and polished. The revolving handle is made from duroplast plastic. The axle part of the handle is galvanized steel.

INCH

Part #	D2	Part #	D2	D1	D3	L1	L3	Handle Dia.	Handle Lgth
06275-4080XCN	.312	06275-4080XCO	.375	3.15	.98	.63	1.22	.71	1.57
06275-4100XCO	.375	06275-4100XCP	.500	3.94	1.22	.67	1.34	.71	1.57
06275-4125XCO	.375	06275-4125XCP	.500	4.92	1.18	.71	1.46	.87	2.20
06275-4140XCP	.500	06275-4140XCQ	.625	5.51	1.34	.75	1.34	.87	2.20
06275-4160XCP	.500	06275-4160XCQ	.625	6.30	1.57	.79	1.57	1.02	3.15
06275-4200XCQ	.625	06275-4200XCR	.750	7.87	1.97	.94	1.81	1.02	3.15
06275-4250XCR	.750	06275-4250XCV	.875	9.84	1.97	1.10	1.93	1.22	4.02

METRIC

Part #	D2 mm	Part #	D2 mm	D1 mm	D3 mm	L1 mm	L3 mm	Handle Dia. mm	Handle Lgth mm
06275-4080X10	10	06275-4080X12	12	80	25	16	31	18	40
06275-4100X10	10	06275-4100X12	12	100	31	17	34	18	40
06275-4125X12	12	06275-4125X14	14	125	30	18	37	22	56
06275-4140X14	14	06275-4140X15	15	140	34	19	34	22	56
06275-4160X15	15	06275-4160X16	16	160	40	20	40	26	80
06275-4200X18	18	06275-4200X20	20	200	50	24	46	26	80
06275-4250X22	22	06275-4250X24	24	250	50	28	49	31	102