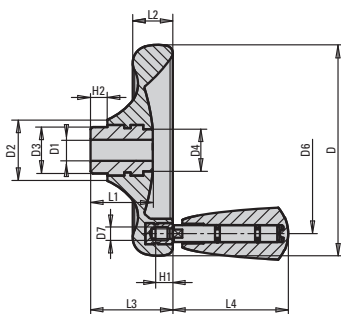
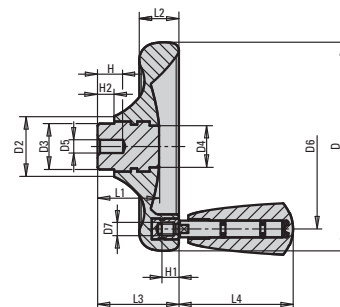


DISC HAND WHEELS

Duroplastic | With Revolving Machine Handle | Steel & Stainless Hubs | Inch & Metric



Through Hole Style



Pilot Hole Style

Made from black duroplastic, these solid disc hand wheels offer strength, durability and attractive appearance. The surface finish is deburred and has a high polish finish. They are furnished with a black duroplastic revolving machine handle. The hand wheels with steel hubs have a nickel plated finish on both the hand wheel and the machine handle. The stainless hub styles have a natural finish on both the hand wheel and machine handle. The pilot hole style provides a centered hole allowing the user to create different mounting configurations.

Through Hole Style

INCH

Part # Steel Hub	Part # Stainless Hub	D	D1	D2	D3	D4	D6	D7	H1	H2	L1	L2	L3	L4
06287-1100XCM	06287-3100XCM	3.94	.250	1.14	.87	.79	3.11	M6	0.35	.31	1.16	.75	1.54	2.15
06287-1125XCO	06287-3125XCO	4.92	.375	1.34	1.02	.83	3.98	M6	0.35	.31	1.34	.94	1.81	2.15
06287-1140XCP	06287-3140XCP	5.51	.500	1.54	1.18	.98	4.33	M8	0.47	.31	1.52	1.06	2.05	3.24
06287-1160XCQ	06287-3160XCQ	6.30	.625	1.69	1.30	1.18	5.04	M8	0.47	.31	1.63	1.19	2.24	3.24
06287-1160XCR	06287-3160XCR	6.30	.750	1.69	1.30	1.18	5.04	M8	0.47	.31	1.63	1.19	2.24	3.24

METRIC

Part # Steel Hub	Part # Stainless Hub	D mm	D1 mm	D2 mm	D3 mm	D4 mm	D6 mm	D7	H1 mm	H2 mm	L1 mm	L2 mm	L3 mm	L4 mm
06287-1100X10	06287-3100X10	100	10	29	22	20	79	M6	9	8	29.5	19	39	54.7
06287-1125X12	06287-3125X12	125	12	34	26	21	101	M6	9	8	34	24	46	54.7
06287-1140X14	06287-3140X14	140	14	39	30	25	110	M8	12	8	38.5	27	52	82.2
06287-1160X16	06287-3160X16	160	16	43	33	30	128	M8	12	8	41.3	30.1	57	82.2
06287-1160X18	06287-3160X18	160	18	43	33	30	128	M8	12	8	41.3	30.1	57	82.2

Pilot Hole Style

METRIC

Part # Steel Hub	Part # Stainless Hub	D mm	D2 mm	D3 mm	D4 mm	D5 mm	D6 mm	D7	H mm	H1 mm	H2 mm	L1 mm	L2 mm	L3 mm	L4 mm
06287-0100X06	06287-2100X06	100	29	22	20	6	79	M6	12	9	8	29.5	19	39	54.7
06287-0125X08	06287-2125X08	125	34	26	21	8	101	M6	15	9	8	34	24	46	54.7
06287-0140X08	06287-2140X08	140	39	30	25	8	110	M8	16	12	8	38.5	27	52	82.2
06287-0160X10	06287-2160X10	160	43	33	30	10	128	M8	20	12	8	41.3	30.1	57	82.2