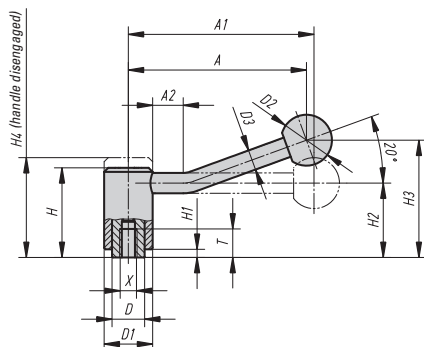


ADJUSTABLE TENSION LEVERS

Steel | Female Threads | Flat and Angled | Inch and Metric



Pulling up on the handle disengages it from the spline and allows it to rotate freely for adjustment. Releasing the handle engages it for tightening or adjusting. They are made from steel with black powder coat finish. Knob is plastic.

INCH

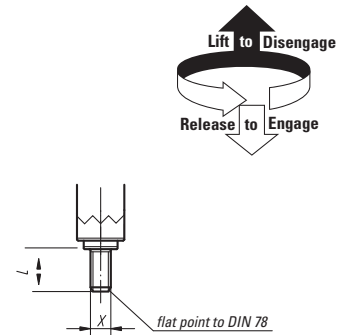
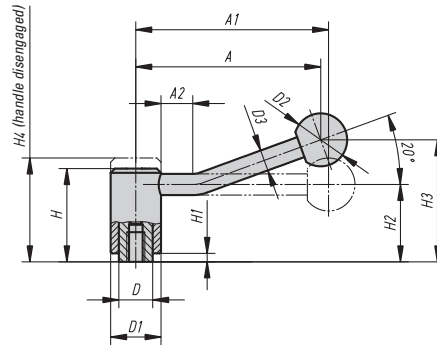
Part # Flat	Part # Angled	X Thread	T	D	D1	D2	D3	H	H1	H2	H3	H4	A	A1	A2	No. Of Teeth
06370-1A32	06370-1A31	5/16-18	.55	.63	.94	.98	.39	1.75	.18	1.46	2.30	1.95	3.46	3.62	.59	22
06370-1A42	06370-1A41	3/8-16	.55	.63	.94	.98	.39	1.75	.18	1.46	2.30	1.95	3.46	3.62	.59	22
06370-2A42	06370-2A41	3/8-16	.67	.75	1.10	1.26	.47	2.03	.22	1.65	2.70	2.26	4.17	4.37	.59	24
06370-2A52	06370-2A51	1/2-13	.67	.75	1.10	1.26	.47	2.03	.22	1.65	2.70	2.26	4.17	4.37	.59	24
06370-3A52	06370-3A51	1/2-13	.91	.91	1.30	1.26	.51	2.28	.24	1.85	3.19	2.56	5.06	5.30	.59	26
06370-3A62	06370-3A61	5/8-11	.91	.91	1.30	1.26	.51	2.28	.24	1.85	3.19	2.56	5.06	5.30	.59	26
06370-4A62	06370-4A61	5/8-11	1.06	1.18	1.61	1.26	.51	2.70	.30	2.20	3.52	3.01	5.06	5.28	.59	36
06370-4A72	06370-4A71	3/4-10	1.06	1.18	1.61	1.26	.51	2.70	.30	2.20	3.52	3.01	5.06	5.28	.59	36

METRIC

Part # Flat	Part # Angled	X Thread	T mm	D mm	D1 mm	D2 mm	D3 mm	H mm	H1 mm	H2 mm	H3 mm	H4 mm	A mm	A1 mm	A2 mm	No. Of Teeth
06370-1082	06370-1081	M8	14	16	24	25	10	44.5	4.5	37	58.5	49.5	88	92	15	22
06370-1102	06370-1101	M10	14	16	24	25	10	44.5	4.5	37	58.5	49.5	88	92	15	22
06370-2102	06370-2101	M10	17	19	28	32	12	51.5	5.5	42	68.5	57.5	106	111	15	24
06370-2122	06370-2121	M12	17	19	28	32	12	51.5	5.5	42	68.5	57.5	106	111	15	24
06370-3122	06370-3121	M12	23	23	33	32	13	58	6	47	81	65	128.5	134.5	15	26
06370-3162	06370-3161	M16	23	23	33	32	13	58	6	47	81	65	128.5	134.5	15	26
06370-4162	06370-4161	M16	27	30	41	32	13	68.5	7.5	56.5	89.5	76.5	128.5	134	15	36
06370-4202	06370-4201	M20	27	30	41	32	13	68.5	7.5	56.5	89.5	76.5	128.5	134	15	36
06370-4242	06370-4241	M24	27	30	41	32	13	68.5	7.5	56.5	89.5	76.5	128.5	134	15	36

ADJUSTABLE TENSION LEVERS

Steel | Male Threads | Flat and Angled | Inch



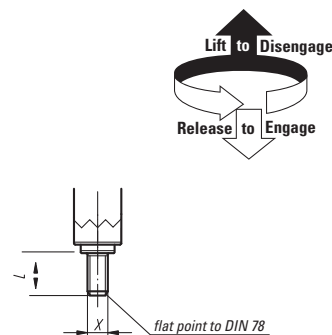
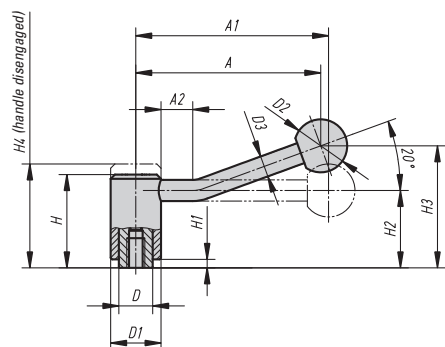
Pulling up on the handle disengages it from the spline and allows it to rotate freely for adjustment. Releasing the handle engages it for tightening or adjusting. They are made from steel with black powder coat finish. Knob is plastic.

INCH

Part # Flat	Part # Angled	X Thread	L	D	D1	D2	D3	H	H1	H2	H3	H4	A	A1	A2	No. Of Teeth
06380-1A32X20	06380-1A31X20	5/16-18	.79	.63	.94	.98	.39	1.75	.18	1.46	2.30	1.95	3.46	3.62	.59	22
06380-1A32X25	06380-1A31X25	5/16-18	.98	.63	.94	.98	.39	1.75	.18	1.46	2.30	1.95	3.46	3.62	.59	22
06380-1A32X30	06380-1A31X30	5/16-18	1.18	.63	.94	.98	.39	1.75	.18	1.46	2.30	1.95	3.46	3.62	.59	22
06380-1A32X40	06380-1A31X40	5/16-18	1.57	.63	.94	.98	.39	1.75	.18	1.46	2.30	1.95	3.46	3.62	.59	22
06380-1A32X50	06380-1A31X50	5/16-18	1.97	.63	.94	.98	.39	1.75	.18	1.46	2.30	1.95	3.46	3.62	.59	22
06380-1A32X60	06380-1A31X60	5/16-18	2.36	.63	.94	.98	.39	1.75	.18	1.46	2.30	1.95	3.46	3.62	.59	22
06380-1A42X20	06380-1A41X20	3/8-16	.79	.63	.94	.98	.39	1.75	.18	1.46	2.30	1.95	3.46	3.62	.59	22
06380-1A42X25	06380-1A41X25	3/8-16	.98	.63	.94	.98	.39	1.75	.18	1.46	2.30	1.95	3.46	3.62	.59	22
06380-1A42X30	06380-1A41X30	3/8-16	1.18	.63	.94	.98	.39	1.75	.18	1.46	2.30	1.95	3.46	3.62	.59	22
06380-1A42X40	06380-1A41X40	3/8-16	1.57	.63	.94	.98	.39	1.75	.18	1.46	2.30	1.95	3.46	3.62	.59	22
06380-1A42X50	06380-1A41X50	3/8-16	1.97	.63	.94	.98	.39	1.75	.18	1.46	2.30	1.95	3.46	3.62	.59	22
06380-1A42X60	06380-1A41X60	3/8-16	2.36	.63	.94	.98	.39	1.75	.18	1.46	2.30	1.95	3.46	3.62	.59	22
06380-1A52X20	06380-1A51X20	1/2-13	.79	.63	.94	.98	.39	1.75	.18	1.46	2.30	1.95	3.46	3.62	.59	22
06380-1A52X25	06380-1A51X25	1/2-13	.98	.63	.94	.98	.39	1.75	.18	1.46	2.30	1.95	3.46	3.62	.59	22
06380-1A52X30	06380-1A51X30	1/2-13	1.18	.63	.94	.98	.39	1.75	.18	1.46	2.30	1.95	3.46	3.62	.59	22
06380-1A52X40	06380-1A51X40	1/2-13	1.57	.63	.94	.98	.39	1.75	.18	1.46	2.30	1.95	3.46	3.62	.59	22
06380-1A52X50	06380-1A51X50	1/2-13	1.97	.63	.94	.98	.39	1.75	.18	1.46	2.30	1.95	3.46	3.62	.59	22
06380-1A52X60	06380-1A51X60	1/2-13	2.36	.63	.94	.98	.39	1.75	.18	1.46	2.30	1.95	3.46	3.62	.59	22
06380-2A52X20	06380-2A51X20	1/2-13	.79	.75	1.10	1.26	.47	2.03	.22	1.65	2.70	2.26	4.17	4.37	.59	24
06380-2A52X25	06380-2A51X25	1/2-13	.98	.75	1.10	1.26	.47	2.03	.22	1.65	2.70	2.26	4.17	4.37	.59	24
06380-2A52X30	06380-2A51X30	1/2-13	1.18	.75	1.10	1.26	.47	2.03	.22	1.65	2.70	2.26	4.17	4.37	.59	24
06380-2A52X40	06380-2A51X40	1/2-13	1.57	.75	1.10	1.26	.47	2.03	.22	1.65	2.70	2.26	4.17	4.37	.59	24
06380-2A52X50	06380-2A51X50	1/2-13	1.97	.75	1.10	1.26	.47	2.03	.22	1.65	2.70	2.26	4.17	4.37	.59	24
06380-2A52X60	06380-2A51X60	1/2-13	2.36	.75	1.10	1.26	.47	2.03	.22	1.65	2.70	2.26	4.17	4.37	.59	24
06380-3A52X20	06380-3A51X20	1/2-13	.79	.91	1.30	1.26	.51	2.28	.24	1.85	3.19	2.56	5.06	5.30	.59	26
06380-3A52X25	06380-3A51X25	1/2-13	.98	.91	1.30	1.26	.51	2.28	.24	1.85	3.19	2.56	5.06	5.30	.59	26
06380-3A52X30	06380-3A51X30	1/2-13	1.18	.91	1.30	1.26	.51	2.28	.24	1.85	3.19	2.56	5.06	5.30	.59	26
06380-3A52X40	06380-3A51X40	1/2-13	1.57	.91	1.30	1.26	.51	2.28	.24	1.85	3.19	2.56	5.06	5.30	.59	26
06380-3A52X50	06380-3A51X50	1/2-13	1.97	.91	1.30	1.26	.51	2.28	.24	1.85	3.19	2.56	5.06	5.30	.59	26
06380-3A52X60	06380-3A51X60	1/2-13	2.36	.91	1.30	1.26	.51	2.28	.24	1.85	3.19	2.56	5.06	5.30	.59	26
06380-3A62X20	06380-3A61X20	5/8-11	.79	.91	1.30	1.26	.51	2.28	.24	1.85	3.19	2.56	5.06	5.30	.59	26
06380-3A62X25	06380-3A61X25	5/8-11	.98	.91	1.30	1.26	.51	2.28	.24	1.85	3.19	2.56	5.06	5.30	.59	26
06380-3A62X30	06380-3A61X30	5/8-11	1.18	.91	1.30	1.26	.51	2.28	.24	1.85	3.19	2.56	5.06	5.30	.59	26
06380-3A62X40	06380-3A61X40	5/8-11	1.57	.91	1.30	1.26	.51	2.28	.24	1.85	3.19	2.56	5.06	5.30	.59	26
06380-3A62X50	06380-3A61X50	5/8-11	1.97	.91	1.30	1.26	.51	2.28	.24	1.85	3.19	2.56	5.06	5.30	.59	26
06380-3A62X60	06380-3A61X60	5/8-11	2.36	.91	1.30	1.26	.51	2.28	.24	1.85	3.19	2.56	5.06	5.30	.59	26
06380-4A62X30	06380-4A61X30	5/8-11	1.18	1.18	1.61	1.26	.51	2.70	.30	2.22	3.52	3.01	5.06	5.30	.59	36
06380-4A62X40	06380-4A61X40	5/8-11	1.57	1.18	1.61	1.26	.51	2.70	.30	2.22	3.52	3.01	5.06	5.30	.59	36
06380-4A62X50	06380-4A61X50	5/8-11	1.97	1.18	1.61	1.26	.51	2.70	.30	2.22	3.52	3.01	5.06	5.30	.59	36
06380-4A62X60	06380-4A61X60	5/8-11	2.36	1.18	1.61	1.26	.51	2.70	.30	2.22	3.52	3.01	5.06	5.30	.59	36
06380-4A72X30	06380-4A71X30	3/4-10	1.18	1.18	1.61	1.26	.51	2.70	.30	2.22	3.52	3.01	5.06	5.30	.59	36
06380-4A72X40	06380-4A71X40	3/4-10	1.57	1.18	1.61	1.26	.51	2.70	.30	2.22	3.52	3.01	5.06	5.30	.59	36
06380-4A72X50	06380-4A71X50	3/4-10	1.97	1.18	1.61	1.26	.51	2.70	.30	2.22	3.52	3.01	5.06	5.30	.59	36
06380-4A72X60	06380-4A71X60	3/4-10	2.36	1.18	1.61	1.26	.51	2.70	.30	2.22	3.52	3.01	5.06	5.30	.59	36

ADJUSTABLE TENSION LEVERS

Steel | Male Threads | Flat and Angled | Metric



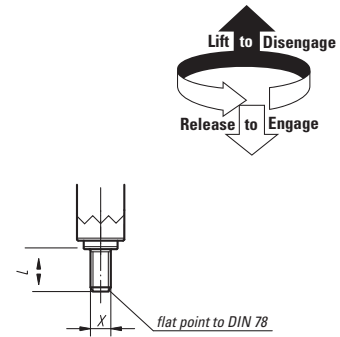
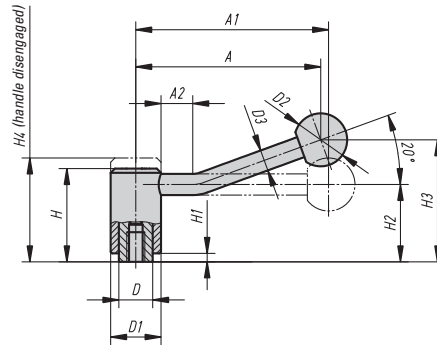
Pulling up on the handle disengages it from the spline and allows it to rotate freely for adjustment. Releasing the handle engages it for tightening or adjusting. They are made from steel with black powder coat finish. Knob is plastic.

METRIC

Part # Flat	Part # Angled	X Thread	L mm	D mm	D1 mm	D2 mm	D3 mm	H mm	H1 mm	H2 mm	H3 mm	H4 mm	A mm	A1 mm	A2 mm	No. Of Teeth
06380-1082X15	06380-1081X15	M8	15	16	24	25	10	44.5	4.5	37	58.5	49.5	88	92	15	22
06380-1082X20	06380-1081X20	M8	20	16	24	25	10	44.5	4.5	37	58.5	49.5	88	92	15	22
06380-1082X25	06380-1081X25	M8	25	16	24	25	10	44.5	4.5	37	58.5	49.5	88	92	15	22
06380-1082X30	06380-1081X30	M8	30	16	24	25	10	44.5	4.5	37	58.5	49.5	88	92	15	22
06380-1082X40	06380-1081X40	M8	40	16	24	25	10	44.5	4.5	37	58.5	49.5	88	92	15	22
06380-1082X50	06380-1081X50	M8	50	16	24	25	10	44.5	4.5	37	58.5	49.5	88	92	15	22
06380-1082X60	06380-1081X60	M8	60	16	24	25	10	44.5	4.5	37	58.5	49.5	88	92	15	22
06380-1102X15	06380-1101X15	M10	15	16	24	25	10	44.5	4.5	37	58.5	49.5	88	92	15	22
06380-1102X20	06380-1101X20	M10	20	16	24	25	10	44.5	4.5	37	58.5	49.5	88	92	15	22
06380-1102X25	06380-1101X25	M10	25	16	24	25	10	44.5	4.5	37	58.5	49.5	88	92	15	22
06380-1102X30	06380-1101X30	M10	30	16	24	25	10	44.5	4.5	37	58.5	49.5	88	92	15	22
06380-1102X40	06380-1101X40	M10	40	16	24	25	10	44.5	4.5	37	58.5	49.5	88	92	15	22
06380-1102X50	06380-1101X50	M10	50	16	24	25	10	44.5	4.5	37	58.5	49.5	88	92	15	22
06380-1102X60	06380-1101X60	M10	60	16	24	25	10	44.5	4.5	37	58.5	49.5	88	92	15	22
06380-1122X15	06380-1121X15	M12	15	16	24	25	10	44.5	4.5	37	58.5	49.5	88	92	15	22
06380-1122X20	06380-1121X20	M12	20	16	24	25	10	44.5	4.5	37	58.5	49.5	88	92	15	22
06380-1122X25	06380-1121X25	M12	25	16	24	25	10	44.5	4.5	37	58.5	49.5	88	92	15	22
06380-1122X30	06380-1121X30	M12	30	16	24	25	10	44.5	4.5	37	58.5	49.5	88	92	15	22
06380-1122X40	06380-1121X40	M12	40	16	24	25	10	44.5	4.5	37	58.5	49.5	88	92	15	22
06380-1122X50	06380-1121X50	M12	50	16	24	25	10	44.5	4.5	37	58.5	49.5	88	92	15	22
06380-1122X60	06380-1121X60	M12	60	16	24	25	10	44.5	4.5	37	58.5	49.5	88	92	15	22
06380-2122X20	06380-2121X20	M12	20	19	28	32	12	51.5	5.5	42	68.5	57.5	106	111	15	24
06380-2122X25	06380-2121X25	M12	25	19	28	32	12	51.5	5.5	42	68.5	57.5	106	111	15	24
06380-2122X30	06380-2121X30	M12	30	19	28	32	12	51.5	5.5	42	68.5	57.5	106	111	15	24
06380-2122X40	06380-2121X40	M12	40	19	28	32	12	51.5	5.5	42	68.5	57.5	106	111	15	24
06380-2122X50	06380-2121X50	M12	50	19	28	32	12	51.5	5.5	42	68.5	57.5	106	111	15	24
06380-2122X60	06380-2121X60	M12	60	19	28	32	12	51.5	5.5	42	68.5	57.5	106	111	15	24
06380-3122X20	06380-3121X20	M12	20	23	33	32	13	58	6	47	81	65	128.5	134.5	15	26
06380-3122X25	06380-3121X25	M12	25	23	33	32	13	58	6	47	81	65	128.5	134.5	15	26
06380-3122X30	06380-3121X30	M12	30	23	33	32	13	58	6	47	81	65	128.5	134.5	15	26
06380-3122X40	06380-3121X40	M12	40	23	33	32	13	58	6	47	81	65	128.5	134.5	15	26
06380-3122X50	06380-3121X50	M12	50	23	33	32	13	58	6	47	81	65	128.5	134.5	15	26
06380-3122X60	06380-3121X60	M12	60	23	33	32	13	58	6	47	81	65	128.5	134.5	15	26
06380-3122X70	06380-3121X70	M12	70	23	33	32	13	58	6	47	81	65	128.5	134.5	15	26
06380-3122X80	06380-3121X80	M12	80	23	33	32	13	58	6	47	81	65	128.5	134.5	15	26
06380-3122X90	06380-3121X90	M12	90	23	33	32	13	58	6	47	81	65	128.5	134.5	15	26
06380-3162X20	06380-3161X20	M16	20	23	33	32	13	58	6	47	81	65	128.5	134.5	15	26
06380-3162X25	06380-3161X25	M16	25	23	33	32	13	58	6	47	81	65	128.5	134.5	15	26
06380-3162X30	06380-3161X30	M16	30	23	33	32	13	58	6	47	81	65	128.5	134.5	15	26
06380-3162X40	06380-3161X40	M16	40	23	33	32	13	58	6	47	81	65	128.5	134.5	15	26
06380-3162X50	06380-3161X50	M16	50	23	33	32	13	58	6	47	81	65	128.5	134.5	15	26
06380-3162X60	06380-3161X60	M16	60	23	33	32	13	58	6	47	81	65	128.5	134.5	15	26
06380-3162X70	06380-3161X70	M16	70	23	33	32	13	58	6	47	81	65	128.5	134.5	15	26
06380-3162X80	06380-3161X80	M16	80	23	33	32	13	58	6	47	81	65	128.5	134.5	15	26
06380-3162X90	06380-3161X90	M16	90	23	33	32	13	58	6	47	81	65	128.5	134.5	15	26

ADJUSTABLE TENSION LEVERS

Steel | Male Threads | Flat and Angled | Metric (continued)

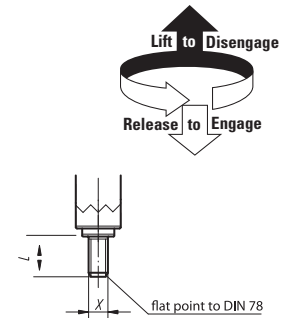
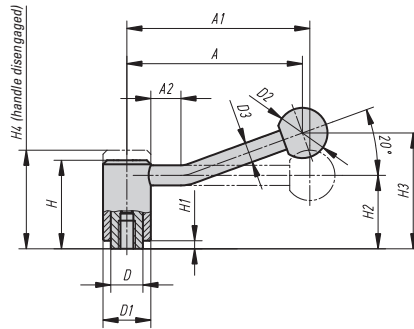


METRIC (CONTINUED)

Part # Flat	Part # Angled	X Thread	L mm	D mm	D1 mm	D2 mm	D3 mm	H mm	H1 mm	H2 mm	H3 mm	H4 mm	A mm	A1 mm	A2 mm	No. Of Teeth
06380-4162X30	06380-4161X30	M16	30	30	41	32	13	68.5	7.5	56.5	89.5	76.5	128.5	134.5	15	36
06380-4162X40	06380-4161X40	M16	40	30	41	32	13	68.5	7.5	56.5	89.5	76.5	128.5	134.5	15	36
06380-4162X50	06380-4161X50	M16	50	30	41	32	13	68.5	7.5	56.5	89.5	76.5	128.5	134.5	15	36
06380-4162X60	06380-4161X60	M16	60	30	41	32	13	68.5	7.5	56.5	89.5	76.5	128.5	134.5	15	36
06380-4162X70	06380-4161X70	M16	70	30	41	32	13	68.5	7.5	56.5	89.5	76.5	128.5	134.5	15	36
06380-4162X80	06380-4161X80	M16	80	30	41	32	13	68.5	7.5	56.5	89.5	76.5	128.5	134.5	15	36
06380-4162X90	06380-4161X90	M16	90	30	41	32	13	68.5	7.5	56.5	89.5	76.5	128.5	134.5	15	36
06380-4202X30	06380-4201X30	M20	30	30	41	32	13	68.5	7.5	56.5	89.5	76.5	128.5	134.5	15	36
06380-4202X40	06380-4201X40	M20	40	30	41	32	13	68.5	7.5	56.5	89.5	76.5	128.5	134.5	15	36
06380-4202X50	06380-4201X50	M20	50	30	41	32	13	68.5	7.5	56.5	89.5	76.5	128.5	134.5	15	36
06380-4202X60	06380-4201X60	M20	60	30	41	32	13	68.5	7.5	56.5	89.5	76.5	128.5	134.5	15	36
06380-4202X70	06380-4201X70	M20	70	30	41	32	13	68.5	7.5	56.5	89.5	76.5	128.5	134.5	15	36
06380-4202X80	06380-4201X80	M20	80	30	41	32	13	68.5	7.5	56.5	89.5	76.5	128.5	134.5	15	36
06380-4202X90	06380-4201X90	M20	90	30	41	32	13	68.5	7.5	56.5	89.5	76.5	128.5	134.5	15	36
06380-4242X30	06380-4241X30	M24	30	30	41	32	13	68.5	7.5	56.5	89.5	76.5	128.5	134.5	15	36
06380-4242X40	06380-4241X40	M24	40	30	41	32	13	68.5	7.5	56.5	89.5	76.5	128.5	134.5	15	36
06380-4242X50	06380-4241X50	M24	50	30	41	32	13	68.5	7.5	56.5	89.5	76.5	128.5	134.5	15	36
06380-4242X60	06380-4241X60	M24	60	30	41	32	13	68.5	7.5	56.5	89.5	76.5	128.5	134.5	15	36
06380-4242X70	06380-4241X70	M24	70	30	41	32	13	68.5	7.5	56.5	89.5	76.5	128.5	134.5	15	36
06380-4242X80	06380-4241X80	M24	80	30	41	32	13	68.5	7.5	56.5	89.5	76.5	128.5	134.5	15	36
06380-4242X90	06380-4241X90	M24	90	30	41	32	13	68.5	7.5	56.5	89.5	76.5	128.5	134.5	15	36

ADJUSTABLE TENSION LEVERS

Stainless | Male Threads | Flat and Angled | Inch and Metric



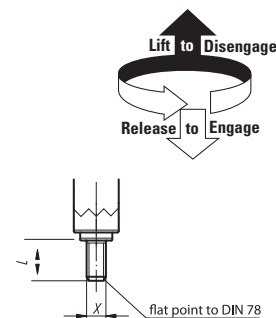
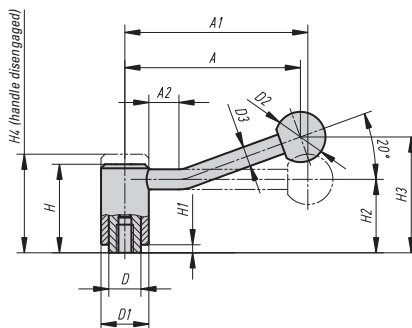
Pulling up on the handle disengages it from the spline and allows it to rotate freely for adjustment. Releasing the handle engages it for tightening or adjusting. They are made from stainless steel with a natural finish. Knob is plastic.

INCH

Part # Flat	Part # Angled	X Thread	L	D	D1	D2	D3	H	H1	H2	H3	H4	A	A1	A2	No. Of Teeth
06381-1A32X15	06381-1A31X15	5/16-18	.59	.63	.94	.98	.39	1.75	.18	1.46	2.30	1.95	3.46	3.62	.59	22
06381-1A32X20	06381-1A31X20	5/16-18	.79	.63	.94	.98	.39	1.75	.18	1.46	2.30	1.95	3.46	3.62	.59	22
06381-1A32X25	06381-1A31X25	5/16-18	.98	.63	.94	.98	.39	1.75	.18	1.46	2.30	1.95	3.46	3.62	.59	22
06381-1A32X30	06381-1A31X30	5/16-18	1.18	.63	.94	.98	.39	1.75	.18	1.46	2.30	1.95	3.46	3.62	.59	22
06381-1A32X40	06381-1A31X40	5/16-18	1.57	.63	.94	.98	.39	1.75	.18	1.46	2.30	1.95	3.46	3.62	.59	22
06381-1A32X50	06381-1A31X50	5/16-18	1.97	.63	.94	.98	.39	1.75	.18	1.46	2.30	1.95	3.46	3.62	.59	22
06381-1A32X60	06381-1A31X60	5/16-18	2.36	.63	.94	.98	.39	1.75	.18	1.46	2.30	1.95	3.46	3.62	.59	22
06381-1A42X15	06381-1A41X15	3/8-16	.59	.63	.94	.98	.39	1.75	.18	1.46	2.30	1.95	3.46	3.62	.59	22
06381-1A42X20	06381-1A41X20	3/8-16	.79	.63	.94	.98	.39	1.75	.18	1.46	2.30	1.95	3.46	3.62	.59	22
06381-1A42X25	06381-1A41X25	3/8-16	.98	.63	.94	.98	.39	1.75	.18	1.46	2.30	1.95	3.46	3.62	.59	22
06381-1A42X30	06381-1A41X30	3/8-16	1.18	.63	.94	.98	.39	1.75	.18	1.46	2.30	1.95	3.46	3.62	.59	22
06381-1A42X40	06381-1A41X40	3/8-16	1.57	.63	.94	.98	.39	1.75	.18	1.46	2.30	1.95	3.46	3.62	.59	22
06381-1A42X50	06381-1A41X50	3/8-16	1.97	.63	.94	.98	.39	1.75	.18	1.46	2.30	1.95	3.46	3.62	.59	22
06381-1A42X60	06381-1A41X60	3/8-16	2.36	.63	.94	.98	.39	1.75	.18	1.46	2.30	1.95	3.46	3.62	.59	22
06381-1A52X15	06381-1A51X15	1/2-13	.59	.63	.94	.98	.39	1.75	.18	1.46	2.30	1.95	3.46	3.62	.59	22
06381-1A52X20	06381-1A51X20	1/2-13	.79	.63	.94	.98	.39	1.75	.18	1.46	2.30	1.95	3.46	3.62	.59	22
06381-1A52X25	06381-1A51X25	1/2-13	.98	.63	.94	.98	.39	1.75	.18	1.46	2.30	1.95	3.46	3.62	.59	22
06381-1A52X30	06381-1A51X30	1/2-13	1.18	.63	.94	.98	.39	1.75	.18	1.46	2.30	1.95	3.46	3.62	.59	22
06381-1A52X40	06381-1A51X40	1/2-13	1.57	.63	.94	.98	.39	1.75	.18	1.46	2.30	1.95	3.46	3.62	.59	22
06381-1A52X50	06381-1A51X50	1/2-13	1.97	.63	.94	.98	.39	1.75	.18	1.46	2.30	1.95	3.46	3.62	.59	22
06381-1A52X60	06381-1A51X60	1/2-13	2.36	.63	.94	.98	.39	1.75	.18	1.46	2.30	1.95	3.46	3.62	.59	22
06381-2A52X20	06381-2A51X20	1/2-13	.79	.75	1.10	1.26	.47	2.03	.22	1.65	2.70	2.26	4.17	4.37	.59	24
06381-2A52X25	06381-2A51X25	1/2-13	.98	.75	1.10	1.26	.47	2.03	.22	1.65	2.70	2.26	4.17	4.37	.59	24
06381-2A52X30	06381-2A51X30	1/2-13	1.18	.75	1.10	1.26	.47	2.03	.22	1.65	2.70	2.26	4.17	4.37	.59	24
06381-2A52X40	06381-2A51X40	1/2-13	1.57	.75	1.10	1.26	.47	2.03	.22	1.65	2.70	2.26	4.17	4.37	.59	24
06381-2A52X50	06381-2A51X50	1/2-13	1.97	.75	1.10	1.26	.47	2.03	.22	1.65	2.70	2.26	4.17	4.37	.59	24
06381-2A52X60	06381-2A51X60	1/2-13	2.36	.75	1.10	1.26	.47	2.03	.22	1.65	2.70	2.26	4.17	4.37	.59	24
06381-3A52X20	06381-3A51X20	1/2-13	.79	.91	1.30	1.26	.51	2.28	.24	1.85	3.19	2.56	5.06	5.30	.59	26
06381-3A52X25	06381-3A51X25	1/2-13	.98	.91	1.30	1.26	.51	2.28	.24	1.85	3.19	2.56	5.06	5.30	.59	26
06381-3A52X30	06381-3A51X30	1/2-13	1.18	.91	1.30	1.26	.51	2.28	.24	1.85	3.19	2.56	5.06	5.30	.59	26
06381-3A52X40	06381-3A51X40	1/2-13	1.57	.91	1.30	1.26	.51	2.28	.24	1.85	3.19	2.56	5.06	5.30	.59	26
06381-3A52X50	06381-3A51X50	1/2-13	1.97	.91	1.30	1.26	.51	2.28	.24	1.85	3.19	2.56	5.06	5.30	.59	26
06381-3A52X60	06381-3A51X60	1/2-13	2.36	.91	1.30	1.26	.51	2.28	.24	1.85	3.19	2.56	5.06	5.30	.59	26
06381-3A52X70	06381-3A51X70	1/2-13	2.76	.91	1.30	1.26	.51	2.28	.24	1.85	3.19	2.56	5.06	5.30	.59	26
06381-3A52X80	06381-3A51X80	1/2-13	3.15	.91	1.30	1.26	.51	2.28	.24	1.85	3.19	2.56	5.06	5.30	.59	26
06381-3A52X90	06381-3A51X90	1/2-13	3.54	.91	1.30	1.26	.51	2.28	.24	1.85	3.19	2.56	5.06	5.30	.59	26

ADJUSTABLE TENSION LEVERS

Stainless | Male Threads | Flat and Angled | Inch and Metric (continued)



INCH (CONTINUED)

Part # Flat	Part # Angled	X Thread	L	D	D1	D2	D3	H	H1	H2	H3	H4	A	A1	A2	No. Of Teeth
06381-3A62X20	06381-3A61X20	5/8-11	.79	.91	1.30	1.26	.51	2.28	.24	1.85	3.19	2.56	5.06	5.30	.59	26
06381-3A62X25	06381-3A61X25	5/8-11	.98	.91	1.30	1.26	.51	2.28	.24	1.85	3.19	2.56	5.06	5.30	.59	26
06381-3A62X30	06381-3A61X30	5/8-11	1.18	.91	1.30	1.26	.51	2.28	.24	1.85	3.19	2.56	5.06	5.30	.59	26
06381-3A62X40	06381-3A61X40	5/8-11	1.57	.91	1.30	1.26	.51	2.28	.24	1.85	3.19	2.56	5.06	5.30	.59	26
06381-3A62X50	06381-3A61X50	5/8-11	1.97	.91	1.30	1.26	.51	2.28	.24	1.85	3.19	2.56	5.06	5.30	.59	26
06381-3A62X60	06381-3A61X60	5/8-11	2.36	.91	1.30	1.26	.51	2.28	.24	1.85	3.19	2.56	5.06	5.30	.59	26
06381-3A62X70	06381-3A61X70	5/8-11	2.76	.91	1.30	1.26	.51	2.28	.24	1.85	3.19	2.56	5.06	5.30	.59	26
06381-3A62X80	06381-3A61X80	5/8-11	3.15	.91	1.30	1.26	.51	2.28	.24	1.85	3.19	2.56	5.06	5.30	.59	26
06381-3A62X90	06381-3A61X90	5/8-11	3.54	.91	1.30	1.26	.51	2.28	.24	1.85	3.19	2.56	5.06	5.30	.59	26
06381-4A62X30	06381-4A61X30	5/8-11	1.18	1.18	1.61	1.26	.51	2.70	.30	2.22	3.52	3.01	5.06	5.28	.59	36
06381-4A62X40	06381-4A61X40	5/8-11	1.57	1.18	1.61	1.26	.51	2.70	.30	2.22	3.52	3.01	5.06	5.28	.59	36
06381-4A62X50	06381-4A61X50	5/8-11	1.97	1.18	1.61	1.26	.51	2.70	.30	2.22	3.52	3.01	5.06	5.28	.59	36
06381-4A62X60	06381-4A61X60	5/8-11	2.36	1.18	1.61	1.26	.51	2.70	.30	2.22	3.52	3.01	5.06	5.28	.59	36
06381-4A62X70	06381-4A61X70	5/8-11	2.76	1.18	1.61	1.26	.51	2.70	.30	2.22	3.52	3.01	5.06	5.28	.59	36
06381-4A62X80	06381-4A61X80	5/8-11	3.15	1.18	1.61	1.26	.51	2.70	.30	2.22	3.52	3.01	5.06	5.28	.59	36
06381-4A62X90	06381-4A61X90	5/8-11	3.54	1.18	1.61	1.26	.51	2.70	.30	2.22	3.52	3.01	5.06	5.28	.59	36
06381-4A72X30	06381-4A71X30	3/4-10	1.18	1.18	1.61	1.26	.51	2.70	.30	2.22	3.52	3.01	5.06	5.28	.59	36
06381-4A72X40	06381-4A71X40	3/4-10	1.57	1.18	1.61	1.26	.51	2.70	.30	2.22	3.52	3.01	5.06	5.28	.59	36
06381-4A72X50	06381-4A71X50	3/4-10	1.97	1.18	1.61	1.26	.51	2.70	.30	2.22	3.52	3.01	5.06	5.28	.59	36
06381-4A72X60	06381-4A71X60	3/4-10	2.36	1.18	1.61	1.26	.51	2.70	.30	2.22	3.52	3.01	5.06	5.28	.59	36
06381-4A72X70	06381-4A71X70	3/4-10	2.76	1.18	1.61	1.26	.51	2.70	.30	2.22	3.52	3.01	5.06	5.28	.59	36
06381-4A72X80	06381-4A71X80	3/4-10	3.15	1.18	1.61	1.26	.51	2.70	.30	2.22	3.52	3.01	5.06	5.28	.59	36
06381-4A72X90	06381-4A71X90	3/4-10	3.54	1.18	1.61	1.26	.51	2.70	.30	2.22	3.52	3.01	5.06	5.28	.59	36

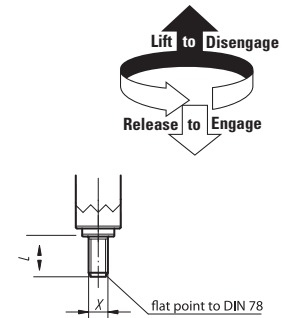
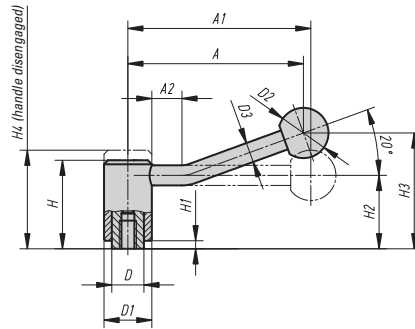
METRIC

Part # Flat	Part # Angled	X Thread	L mm	D mm	D1 mm	D2 mm	D3 mm	H mm	H1 mm	H2 mm	H3 mm	H4 mm	A mm	A1 mm	A2 mm	No. Of Teeth
06381-1082X15	06381-1081X15	M8	15	16	24	25	10	44.5	4.5	37	58.5	49.5	88	92	15	22
06381-1082X20	06381-1081X20	M8	20	16	24	25	10	44.5	4.5	37	58.5	49.5	88	92	15	22
06381-1082X25	06381-1081X25	M8	25	16	24	25	10	44.5	4.5	37	58.5	49.5	88	92	15	22
06381-1082X30	06381-1081X30	M8	30	16	24	25	10	44.5	4.5	37	58.5	49.5	88	92	15	22
06381-1082X40	06381-1081X40	M8	40	16	24	25	10	44.5	4.5	37	58.5	49.5	88	92	15	22
06381-1082X50	06381-1081X50	M8	50	16	24	25	10	44.5	4.5	37	58.5	49.5	88	92	15	22
06381-1082X60	06381-1081X60	M8	60	16	24	25	10	44.5	4.5	37	58.5	49.5	88	92	15	22
06381-1102X15	06381-1101X15	M10	15	16	24	25	10	44.5	4.5	37	58.5	49.5	88	92	15	22
06381-1102X20	06381-1101X20	M10	20	16	24	25	10	44.5	4.5	37	58.5	49.5	88	92	15	22
06381-1102X25	06381-1101X25	M10	25	16	24	25	10	44.5	4.5	37	58.5	49.5	88	92	15	22
06381-1102X30	06381-1101X30	M10	30	16	24	25	10	44.5	4.5	37	58.5	49.5	88	92	15	22
06381-1102X40	06381-1101X40	M10	40	16	24	25	10	44.5	4.5	37	58.5	49.5	88	92	15	22
06381-1102X50	06381-1101X50	M10	50	16	24	25	10	44.5	4.5	37	58.5	49.5	88	92	15	22
06381-1102X60	06381-1101X60	M10	60	16	24	25	10	44.5	4.5	37	58.5	49.5	88	92	15	22



ADJUSTABLE TENSION LEVERS

Stainless | Male Threads | Flat and Angled | Inch and Metric (continued)



METRIC (CONTINUED)

Part # Flat	Part # Angled	X Thread	L mm	D mm	D1 mm	D2 mm	D3 mm	H mm	H1 mm	H2 mm	H3 mm	H4 mm	A mm	A1 mm	A2 mm	No. Of Teeth
06381-1122X15	06381-1121X15	M12	15	16	24	25	10	44.5	4.5	37	58.5	49.5	88	92	15	22
06381-1122X20	06381-1121X20	M12	20	16	24	25	10	44.5	4.5	37	58.5	49.5	88	92	15	22
06381-1122X25	06381-1121X25	M12	25	16	24	25	10	44.5	4.5	37	58.5	49.5	88	92	15	22
06381-1122X30	06381-1121X30	M12	30	16	24	25	10	44.5	4.5	37	58.5	49.5	88	92	15	22
06381-1122X40	06381-1121X40	M12	40	16	24	25	10	44.5	4.5	37	58.5	49.5	88	92	15	22
06381-1122X50	06381-1121X50	M12	50	16	24	25	10	44.5	4.5	37	58.5	49.5	88	92	15	22
06381-1122X60	06381-1121X60	M12	60	16	24	25	10	44.5	4.5	37	58.5	49.5	88	92	15	22
06381-2122X20	06381-2121X20	M12	20	19	28	32	12	51.5	5.5	42	68.5	57.5	106	111	15	24
06381-2122X25	06381-2121X25	M12	25	19	28	32	12	51.5	5.5	42	68.5	57.5	106	111	15	24
06381-2122X30	06381-2121X30	M12	30	19	28	32	12	51.5	5.5	42	68.5	57.5	106	111	15	24
06381-2122X40	06381-2121X40	M12	40	19	28	32	12	51.5	5.5	42	68.5	57.5	106	111	15	24
06381-2122X50	06381-2121X50	M12	50	19	28	32	12	51.5	5.5	42	68.5	57.5	106	111	15	24
06381-2122X60	06381-2121X60	M12	60	19	28	32	12	51.5	5.5	42	68.5	57.5	106	111	15	24
06381-3122X20	06381-3121X20	M12	20	23	33	32	13	58	6	47	81	65	128.5	134.5	15	26
06381-3122X25	06381-3121X25	M12	25	23	33	32	13	58	6	47	81	65	128.5	134.5	15	26
06381-3122X30	06381-3121X30	M12	30	23	33	32	13	58	6	47	81	65	128.5	134.5	15	26
06381-3122X40	06381-3121X40	M12	40	23	33	32	13	58	6	47	81	65	128.5	134.5	15	26
06381-3122X50	06381-3121X50	M12	50	23	33	32	13	58	6	47	81	65	128.5	134.5	15	26
06381-3122X60	06381-3121X60	M12	60	23	33	32	13	58	6	47	81	65	128.5	134.5	15	26
06381-3122X70	06381-3121X70	M12	70	23	33	32	13	58	6	47	81	65	128.5	134.5	15	26
06381-3122X80	06381-3121X80	M12	80	23	33	32	13	58	6	47	81	65	128.5	134.5	15	26
06381-3122X90	06381-3121X90	M12	90	23	33	32	13	58	6	47	81	65	128.5	134.5	15	26
06381-3162X20	06381-3161X20	M16	20	23	33	32	13	58	6	47	81	65	128.5	134.5	15	26
06381-3162X25	06381-3161X25	M16	25	23	33	32	13	58	6	47	81	65	128.5	134.5	15	26
06381-3162X30	06381-3161X30	M16	30	23	33	32	13	58	6	47	81	65	128.5	134.5	15	26
06381-3162X40	06381-3161X40	M16	40	23	33	32	13	58	6	47	81	65	128.5	134.5	15	26
06381-3162X50	06381-3161X50	M16	50	23	33	32	13	58	6	47	81	65	128.5	134.5	15	26
06381-3162X60	06381-3161X60	M16	60	23	33	32	13	58	6	47	81	65	128.5	134.5	15	26
06381-3162X70	06381-3161X70	M16	70	23	33	32	13	58	6	47	81	65	128.5	134.5	15	26
06381-3162X80	06381-3161X80	M16	80	23	33	32	13	58	6	47	81	65	128.5	134.5	15	26
06381-3162X90	06381-3161X90	M16	90	23	33	32	13	58	6	47	81	65	128.5	134.5	15	26
06381-4162X30	06381-4161X30	M16	30	30	41	32	13	68.5	7.5	56.5	89.5	76.5	128.5	134	15	36
06381-4162X40	06381-4161X40	M16	40	30	41	32	13	68.5	7.5	56.5	89.5	76.5	128.5	134	15	36
06381-4162X50	06381-4161X50	M16	50	30	41	32	13	68.5	7.5	56.5	89.5	76.5	128.5	134	15	36
06381-4162X60	06381-4161X60	M16	60	30	41	32	13	68.5	7.5	56.5	89.5	76.5	128.5	134	15	36
06381-4162X70	06381-4161X70	M16	70	30	41	32	13	68.5	7.5	56.5	89.5	76.5	128.5	134	15	36
06381-4162X80	06381-4161X80	M16	80	30	41	32	13	68.5	7.5	56.5	89.5	76.5	128.5	134	15	36
06381-4162X90	06381-4161X90	M16	90	30	41	32	13	68.5	7.5	56.5	89.5	76.5	128.5	134	15	36
06381-4202X30	06381-4201X30	M20	30	30	41	32	13	68.5	7.5	56.5	89.5	76.5	128.5	134	15	36
06381-4202X40	06381-4201X40	M20	40	30	41	32	13	68.5	7.5	56.5	89.5	76.5	128.5	134	15	36
06381-4202X50	06381-4201X50	M20	50	30	41	32	13	68.5	7.5	56.5	89.5	76.5	128.5	134	15	36
06381-4202X60	06381-4201X60	M20	60	30	41	32	13	68.5	7.5	56.5	89.5	76.5	128.5	134	15	36
06381-4202X70	06381-4201X70	M20	70	30	41	32	13	68.5	7.5	56.5	89.5	76.5	128.5	134	15	36
06381-4202X80	06381-4201X80	M20	80	30	41	32	13	68.5	7.5	56.5	89.5	76.5	128.5	134	15	36
06381-4202X90	06381-4201X90	M20	90	30	41	32	13	68.5	7.5	56.5	89.5	76.5	128.5	134	15	36