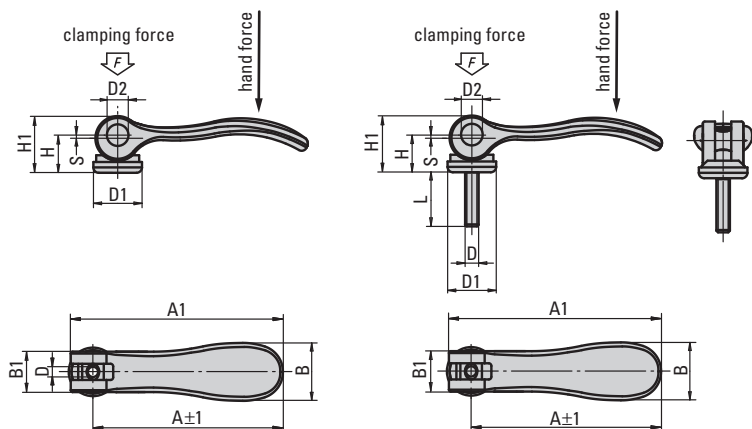


STANDARD CAM LEVERS

Male and Female Threads | Inch and Metric | Steel and Stainless Steel



These cam action lever fasteners allow for quick fastening and unfastening without the use of tools. They allow the user to tighten by threading like a traditional fastener however, for final tightening the cam lever is pushed downward. To unfasten, the cam lever is pulled up releasing clamping force and allowing the fastener to be unthreaded. They are ideal for quick change operations where parts only have to be loosened and not completely unassembled. The aluminum handles have a black powder coat finish. The steel studs have a blue chromate finish. The stainless handles have an electrolytic polish finish. The thrust washers are made from fiberglass reinforced plastic.

INCH - ALUMINUM HANDLE - STEEL COMPONENTS - FEMALE THREADS

Part #	D Thread	D1	D2	B	B1	H	H1	A	A1	Clamping Force Lbs.	Hand Force Lbs.	Throw S
04232-1011A1	10-32	.71	.35	.85	.59	.57	.87	2.77	3.12	899	27	.05
04232-1011A2	1/4-20	.71	.35	.85	.59	.57	.87	2.77	3.12	899	27	.05
04232-2011A3	5/16-18	1.06	.43	1.31	.94	.71	1.12	3.78	4.25	1,798	78	.06

INCH - ALUMINUM HANDLE - STAINLESS COMPONENTS - FEMALE THREADS

Part #	D Thread	D1	D2	B	B1	H	H1	A	A1	Clamping Force Lbs.	Hand Force Lbs.	Throw S
04232-1111A1	10-32	.71	.35	.85	.59	.57	.87	2.77	3.12	899	27	.05
04232-1111A2	1/4-20	.71	.35	.85	.59	.57	.87	2.77	3.12	899	27	.05
04232-2111A3	5/16-18	1.06	.43	1.31	.94	.71	1.12	3.78	4.25	1,798	78	.06

INCH - STAINLESS HANDLE - STAINLESS COMPONENTS - FEMALE THREADS

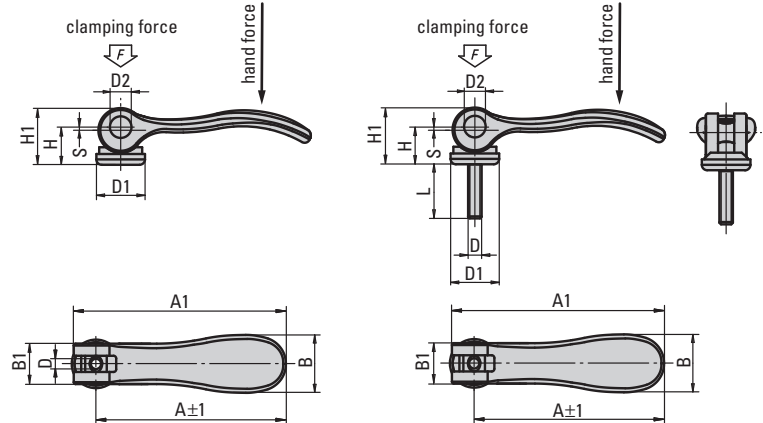
Part #	D Thread	D1	D2	B	B1	H	H1	A	A1	Clamping Force Lbs.	Hand Force Lbs.	Throw S
04232-1120A1	10-32	.71	.35	.85	.59	.57	.87	2.77	3.12	899	27	.05
04232-1120A2	1/4-20	.71	.35	.85	.59	.57	.87	2.77	3.12	899	27	.05
04232-2120A3	5/16-18	1.06	.43	1.31	.94	.71	1.12	3.78	4.25	1,798	78	.06

INCH - ALUMINUM HANDLE - STEEL COMPONENTS - MALE THREADS

Part #	D Thread	L	D1	D2	B	B1	H	H1	A	A1	Clamping Force Lbs.	Hand Force Lbs.	Throw S
04232-1011A1X20	10-32	.79	.71	.35	.85	.59	.57	.87	2.77	3.12	899	27	.05
04232-1011A1X30	10-32	1.18	.71	.35	.85	.59	.57	.87	2.77	3.12	899	27	.05
04232-1011A1X40	10-32	1.57	.71	.35	.85	.59	.57	.87	2.77	3.12	899	27	.05
04232-1011A1X50	10-32	1.97	.71	.35	.85	.59	.57	.87	2.77	3.12	899	27	.05
04232-1011A2X20	1/4-20	.79	.71	.35	.85	.59	.57	.87	2.77	3.12	899	27	.05
04232-1011A2X30	1/4-20	1.18	.71	.35	.85	.59	.57	.87	2.77	3.12	899	27	.05
04232-1011A2X40	1/4-20	1.57	.71	.35	.85	.59	.57	.87	2.77	3.12	899	27	.05
04232-1011A2X50	1/4-20	1.97	.71	.35	.85	.59	.57	.87	2.77	3.12	899	27	.05
04232-2011A3X25	5/16-18	.98	1.06	.43	1.31	.94	.71	1.12	3.78	4.25	1,798	78	.06
04232-2011A3X30	5/16-18	1.18	1.06	.43	1.31	.94	.71	1.12	3.78	4.25	1,798	78	.06
04232-2011A3X40	5/16-18	1.57	1.06	.43	1.31	.94	.71	1.12	3.78	4.25	1,798	78	.06
04232-2011A3X50	5/16-18	1.97	1.06	.43	1.31	.94	.71	1.12	3.78	4.25	1,798	78	.06
04232-2011A4X25	3/8-16	.98	1.06	.43	1.31	.94	.71	1.12	3.78	4.25	1,798	78	.06
04232-2011A4X30	3/8-16	1.18	1.06	.43	1.31	.94	.71	1.12	3.78	4.25	1,798	78	.06
04232-2011A4X40	3/8-16	1.57	1.06	.43	1.31	.94	.71	1.12	3.78	4.25	1,798	78	.06
04232-2011A4X50	3/8-16	1.97	1.06	.43	1.31	.94	.71	1.12	3.78	4.25	1,798	78	.06

STANDARD CAM LEVERS

Male and Female Threads | Inch and Metric | Steel and Stainless Steel (continued)



INCH - ALUMINUM HANDLE - STAINLESS COMPONENTS - MALE THREADS

Part #	D Thread	L	D1	D2	B	B1	H	H1	A	A1	Clamping Force Lbs.	Hand Force Lbs.	Throw S
04232-1111A1X20	10-32	.79	.71	.35	.85	.59	.57	.87	2.77	3.12	899	27	.05
04232-1111A1X30	10-32	1.18	.71	.35	.85	.59	.57	.87	2.77	3.12	899	27	.05
04232-1111A1X40	10-32	1.57	.71	.35	.85	.59	.57	.87	2.77	3.12	899	27	.05
04232-1111A1X50	10-32	1.97	.71	.35	.85	.59	.57	.87	2.77	3.12	899	27	.05
04232-1111A2X20	1/4-20	.79	.71	.35	.85	.59	.57	.87	2.77	3.12	899	27	.05
04232-1111A2X30	1/4-20	1.18	.71	.35	.85	.59	.57	.87	2.77	3.12	899	27	.05
04232-1111A2X40	1/4-20	1.57	.71	.35	.85	.59	.57	.87	2.77	3.12	899	27	.05
04232-1111A2X50	1/4-20	1.97	.71	.35	.85	.59	.57	.87	2.77	3.12	899	27	.05
04232-2111A3X25	5/16-18	.98	1.06	.43	1.31	.94	.71	1.12	3.78	4.25	1,798	78	.06
04232-2111A3X30	5/16-18	1.18	1.06	.43	1.31	.94	.71	1.12	3.78	4.25	1,798	78	.06
04232-2111A3X40	5/16-18	1.57	1.06	.43	1.31	.94	.71	1.12	3.78	4.25	1,798	78	.06
04232-2111A3X50	5/16-18	1.97	1.06	.43	1.31	.94	.71	1.12	3.78	4.25	1,798	78	.06
04232-2111A4X25	3/8-16	.98	1.06	.43	1.31	.94	.71	1.12	3.78	4.25	1,798	78	.06
04232-2111A4X30	3/8-16	1.18	1.06	.43	1.31	.94	.71	1.12	3.78	4.25	1,798	78	.06
04232-2111A4X40	3/8-16	1.57	1.06	.43	1.31	.94	.71	1.12	3.78	4.25	1,798	78	.06
04232-2111A4X50	3/8-16	1.97	1.06	.43	1.31	.94	.71	1.12	3.78	4.25	1,798	78	.06

METRIC - ALUMINUM HANDLE - STEEL COMPONENTS - FEMALE THREADS

Part #	D Thread	D1 mm	D2 mm	B mm	B1 mm	H mm	H1 mm	A mm	A1 mm	Clamping Force Lbs.	Hand Force Lbs.	Throw S mm
04232-101105	M5	18	9	21.5	15	14.5	22	70.4	79.2	899	27	1.2
04232-101106	M6	18	9	21.5	15	14.5	22	70.4	79.2	899	27	1.2
04232-201108	M8	27	11	33.2	24	18	28.5	96	108	1,798	78	1.5

METRIC - ALUMINUM HANDLE - STAINLESS COMPONENTS - FEMALE THREADS

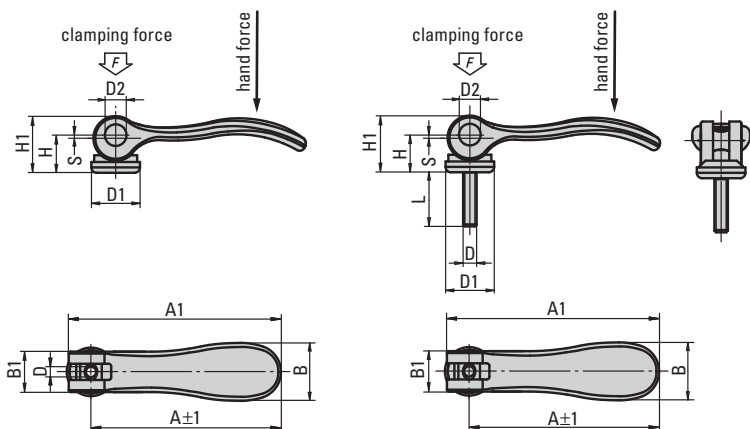
Part #	D Thread	D1 mm	D2 mm	B mm	B1 mm	H mm	H1 mm	A mm	A1 mm	Clamping Force Lbs.	Hand Force Lbs.	Throw S mm
04232-111105	M5	18	9	21.5	15	14.5	22	70.4	79.2	899	27	1.2
04232-111106	M6	18	9	21.5	15	14.5	22	70.4	79.2	899	27	1.2
04232-211108	M8	27	11	33.2	24	18	28.5	96	108	1,798	78	1.5

METRIC - STAINLESS HANDLE - STAINLESS COMPONENTS - FEMALE THREADS

Part #	D Thread	D1 mm	D2 mm	B mm	B1 mm	H mm	H1 mm	A mm	A1 mm	Clamping Force Lbs.	Hand Force Lbs.	Throw S mm
04232-112005	M5	18	9	21.5	15	14.5	22	70.4	79.2	899	27	1.2
04232-112006	M6	18	9	21.5	15	14.5	22	70.4	79.2	899	27	1.2
04232-212008	M8	27	11	33.2	24	18	28.5	96	108	1,798	78	1.5

STANDARD CAM LEVERS

Male and Female Threads | Inch and Metric | Steel and Stainless Steel (continued)



METRIC - ALUMINUM HANDLE - STEEL COMPONENTS - MALE THREADS

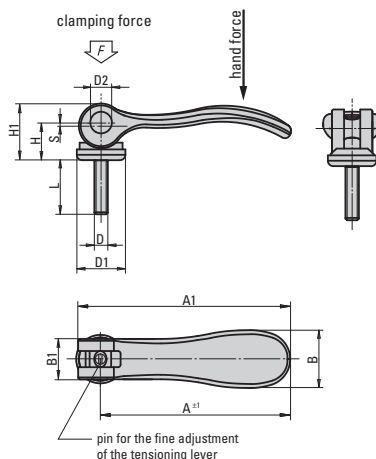
Part #	D Thread	L mm	D1 mm	D2 mm	B mm	B1 mm	H mm	H1 mm	A mm	A1 mm	Clamping Force Lbs.	Hand Force Lbs.	Throw S mm
04232-101105X20	M5	20	18	9	21.5	15	14.5	22	70.4	79.2	899	27	1.2
04232-101105X30	M5	30	18	9	21.5	15	14.5	22	70.4	79.2	899	27	1.2
04232-101105X40	M5	40	18	9	21.5	15	14.5	22	70.4	79.2	899	27	1.2
04232-101105X50	M5	50	18	9	21.5	15	14.5	22	70.4	79.2	899	27	1.2
04232-101106X20	M6	20	18	9	21.5	15	14.5	22	70.4	79.2	899	27	1.2
04232-101106X30	M6	30	18	9	21.5	15	14.5	22	70.4	79.2	899	27	1.2
04232-101106X40	M6	40	18	9	21.5	15	14.5	22	70.4	79.2	899	27	1.2
04232-101106X50	M6	50	18	9	21.5	15	14.5	22	70.4	79.2	899	27	1.2
04232-201108X25	M8	25	27	11	33.2	24	18	28.5	96	108	1,798	78	1.5
04232-201108X30	M8	30	27	11	33.2	24	18	28.5	96	108	1,798	78	1.5
04232-201108X40	M8	40	27	11	33.2	24	18	28.5	96	108	1,798	78	1.5
04232-201108X50	M8	50	27	11	33.2	24	18	28.5	96	108	1,798	78	1.5
04232-201110X25	M10	25	27	11	33.2	24	18	28.5	96	108	1,798	78	1.5
04232-201110X30	M10	30	27	11	33.2	24	18	28.5	96	108	1,798	78	1.5
04232-201110X40	M10	40	27	11	33.2	24	18	28.5	96	108	1,798	78	1.5
04232-201110X50	M10	50	27	11	33.2	24	18	28.5	96	108	1,798	78	1.5

METRIC - ALUMINUM HANDLE - STAINLESS COMPONENTS - MALE THREADS

Part #	D Thread	L mm	D1 mm	D2 mm	B mm	B1 mm	H mm	H1 mm	A mm	A1 mm	Clamping Force Lbs.	Hand Force Lbs.	Throw S mm
04232-111105X20	M5	20	18	9	21.5	15	14.5	22	70.4	79.2	899	27	1.2
04232-111105X30	M5	30	18	9	21.5	15	14.5	22	70.4	79.2	899	27	1.2
04232-111105X40	M5	40	18	9	21.5	15	14.5	22	70.4	79.2	899	27	1.2
04232-111105X50	M5	50	18	9	21.5	15	14.5	22	70.4	79.2	899	27	1.2
04232-111106X20	M6	20	18	9	21.5	15	14.5	22	70.4	79.2	899	27	1.2
04232-111106X30	M6	30	18	9	21.5	15	14.5	22	70.4	79.2	899	27	1.2
04232-111106X40	M6	40	18	9	21.5	15	14.5	22	70.4	79.2	899	27	1.2
04232-111106X50	M6	50	18	9	21.5	15	14.5	22	70.4	79.2	899	27	1.2
04232-211108X25	M8	25	27	11	33.2	24	18	28.5	96	108	1,798	78	1.5
04232-211108X30	M8	30	27	11	33.2	24	18	28.5	96	108	1,798	78	1.5
04232-211108X40	M8	40	27	11	33.2	24	18	28.5	96	108	1,798	78	1.5
04232-211108X50	M8	50	27	11	33.2	24	18	28.5	96	108	1,798	78	1.5
04232-211110X25	M10	25	27	11	33.2	24	18	28.5	96	108	1,798	78	1.5
04232-211110X30	M10	30	27	11	33.2	24	18	28.5	96	108	1,798	78	1.5
04232-211110X40	M10	40	27	11	33.2	24	18	28.5	96	108	1,798	78	1.5
04232-211110X50	M10	50	27	11	33.2	24	18	28.5	96	108	1,798	78	1.5

ADJUSTABLE CAM LEVERS

Male Threads | Inch and Metric | Steel and Stainless Steel



These cam action lever fasteners allow for quick fastening and unfastening without the use of tools. They allow the user to tighten by threading like a traditional fastener however, for final tightening the cam lever is pushed downward. To unfasten, the cam lever is pulled up releasing clamping force and allowing the fastener to be unthreaded. These adjustable cam levers feature a slot on the top of the stud to allow for fine adjustments of the tensioning lever, without having to rotate the handle. They are ideal for quick change operations where space may be limited or precise tension has to be applied. The aluminum handles have a black powder coat finish. The steel studs have a blue chromate finish. The stainless handles have an electrolytic polish finish. The thrust washers are made from fiberglass reinforced plastic.

INCH - ALUMINUM HANDLE - STEEL COMPONENTS - MALE THREADS

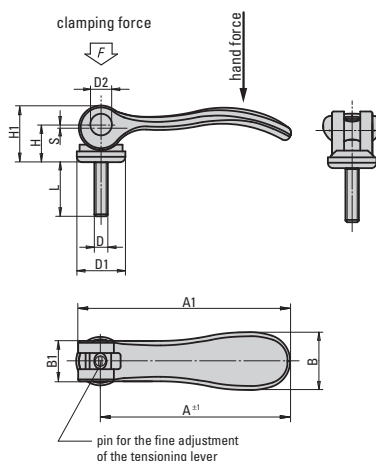
Part #	D Thread	L	D1	D2	B	B1	H	H1	A	A1	Clamping Force Lbs.	Hand Force Lbs.	Throw S
04233-1011A1X20	10-32	.79	.71	.35	.85	.59	.57	.87	2.77	3.12	899	27	.05
04233-1011A1X30	10-32	1.18	.71	.35	.85	.59	.57	.87	2.77	3.12	899	27	.05
04233-1011A1X40	10-32	1.57	.71	.35	.85	.59	.57	.87	2.77	3.12	899	27	.05
04233-1011A1X50	10-32	1.97	.71	.35	.85	.59	.57	.87	2.77	3.12	899	27	.05
04233-1011A2X20	1/4-20	.79	.71	.35	.85	.59	.57	.87	2.77	3.12	899	27	.05
04233-1011A2X30	1/4-20	1.18	.71	.35	.85	.59	.57	.87	2.77	3.12	899	27	.05
04233-1011A2X40	1/4-20	1.57	.71	.35	.85	.59	.57	.87	2.77	3.12	899	27	.05
04233-1011A2X50	1/4-20	1.97	.71	.35	.85	.59	.57	.87	2.77	3.12	899	27	.05
04233-2011A3X25	5/16-18	.98	1.06	.43	1.31	.94	.71	1.12	3.78	4.25	1,798	78	.06
04233-2011A3X30	5/16-18	1.18	1.06	.43	1.31	.94	.71	1.12	3.78	4.25	1,798	78	.06
04233-2011A3X40	5/16-18	1.57	1.06	.43	1.31	.94	.71	1.12	3.78	4.25	1,798	78	.06
04233-2011A3X50	5/16-18	1.97	1.06	.43	1.31	.94	.71	1.12	3.78	4.25	1,798	78	.06
04233-2011A4X25	3/8-16	.98	1.06	.43	1.31	.94	.71	1.12	3.78	4.25	1,798	78	.06
04233-2011A4X30	3/8-16	1.18	1.06	.43	1.31	.94	.71	1.12	3.78	4.25	1,798	78	.06
04233-2011A4X40	3/8-16	1.57	1.06	.43	1.31	.94	.71	1.12	3.78	4.25	1,798	78	.06
04233-2011A4X50	3/8-16	1.97	1.06	.43	1.31	.94	.71	1.12	3.78	4.25	1,798	78	.06

INCH - ALUMINUM HANDLE - STAINLESS COMPONENTS - MALE THREADS

Part #	D Thread	L	D1	D2	B	B1	H	H1	A	A1	Clamping Force Lbs.	Hand Force Lbs.	Throw S
04233-1111A1X20	10-32	.79	.71	.35	.85	.59	.57	.87	2.77	3.12	899	27	.05
04233-1111A1X30	10-32	1.18	.71	.35	.85	.59	.57	.87	2.77	3.12	899	27	.05
04233-1111A1X40	10-32	1.57	.71	.35	.85	.59	.57	.87	2.77	3.12	899	27	.05
04233-1111A1X50	10-32	1.97	.71	.35	.85	.59	.57	.87	2.77	3.12	899	27	.05
04233-1111A2X20	1/4-20	.79	.71	.35	.85	.59	.57	.87	2.77	3.12	899	27	.05
04233-1111A2X30	1/4-20	1.18	.71	.35	.85	.59	.57	.87	2.77	3.12	899	27	.05
04233-1111A2X40	1/4-20	1.57	.71	.35	.85	.59	.57	.87	2.77	3.12	899	27	.05
04233-1111A2X50	1/4-20	1.97	.71	.35	.85	.59	.57	.87	2.77	3.12	899	27	.05
04233-2111A3X25	5/16-18	.98	1.06	.43	1.31	.94	.71	1.12	3.78	4.25	1,798	78	.06
04233-2111A3X30	5/16-18	1.18	1.06	.43	1.31	.94	.71	1.12	3.78	4.25	1,798	78	.06
04233-2111A3X40	5/16-18	1.57	1.06	.43	1.31	.94	.71	1.12	3.78	4.25	1,798	78	.06
04233-2111A3X50	5/16-18	1.97	1.06	.43	1.31	.94	.71	1.12	3.78	4.25	1,798	78	.06
04233-2111A4X25	3/8-16	.98	1.06	.43	1.31	.94	.71	1.12	3.78	4.25	1,798	78	.06
04233-2111A4X30	3/8-16	1.18	1.06	.43	1.31	.94	.71	1.12	3.78	4.25	1,798	78	.06
04233-2111A4X40	3/8-16	1.57	1.06	.43	1.31	.94	.71	1.12	3.78	4.25	1,798	78	.06
04233-2111A4X50	3/8-16	1.97	1.06	.43	1.31	.94	.71	1.12	3.78	4.25	1,798	78	.06

ADJUSTABLE CAM LEVERS

Male Threads | Inch and Metric | Steel and Stainless Steel (continued)



INCH - STAINLESS HANDLE - STAINLESS COMPONENTS - MALE THREADS

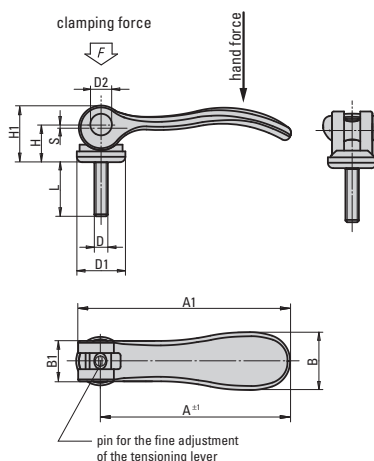
Part #	D Thread	L	D1	D2	B	B1	H	H1	A	A1	Clamping Force Lbs.	Hand Force Lbs.	Throw S
04233-1120A1X20	10-32	.79	.71	.35	.85	.59	.57	.87	2.77	3.12	899	27	.05
04233-1120A1X30	10-32	1.18	.71	.35	.85	.59	.57	.87	2.77	3.12	899	27	.05
04233-1120A1X40	10-32	1.57	.71	.35	.85	.59	.57	.87	2.77	3.12	899	27	.05
04233-1120A1X50	10-32	1.97	.71	.35	.85	.59	.57	.87	2.77	3.12	899	27	.05
04233-1120A2X20	1/4-20	.79	.71	.35	.85	.59	.57	.87	2.77	3.12	899	27	.05
04233-1120A2X30	1/4-20	1.18	.71	.35	.85	.59	.57	.87	2.77	3.12	899	27	.05
04233-1120A2X40	1/4-20	1.57	.71	.35	.85	.59	.57	.87	2.77	3.12	899	27	.05
04233-1120A2X50	1/4-20	1.97	.71	.35	.85	.59	.57	.87	2.77	3.12	899	27	.05
04233-2120A3X25	5/16-18	.98	1.06	.43	1.31	.94	.71	1.12	3.78	4.25	1,798	78	.06
04233-2120A3X30	5/16-18	1.18	1.06	.43	1.31	.94	.71	1.12	3.78	4.25	1,798	78	.06
04233-2120A3X40	5/16-18	1.57	1.06	.43	1.31	.94	.71	1.12	3.78	4.25	1,798	78	.06
04233-2120A3X50	5/16-18	1.97	1.06	.43	1.31	.94	.71	1.12	3.78	4.25	1,798	78	.06
04233-2120A4X25	3/8-16	.98	1.06	.43	1.31	.94	.71	1.12	3.78	4.25	1,798	78	.06
04233-2120A4X30	3/8-16	1.18	1.06	.43	1.31	.94	.71	1.12	3.78	4.25	1,798	78	.06
04233-2120A4X40	3/8-16	1.57	1.06	.43	1.31	.94	.71	1.12	3.78	4.25	1,798	78	.06
04233-2120A4X50	3/8-16	1.97	1.06	.43	1.31	.94	.71	1.12	3.78	4.25	1,798	78	.06

METRIC - ALUMINUM HANDLE - STEEL COMPONENTS - MALE THREADS

Part #	D Thread	L mm	D1 mm	D2 mm	B mm	B1 mm	H mm	H1 mm	A mm	A1 mm	Clamping Force Lbs.	Hand Force Lbs.	Throw S mm
04233-101105X20	M5	20	18	9	21.5	15	14.5	22	70.4	79.2	899	27	1.2
04233-101105X30	M5	30	18	9	21.5	15	14.5	22	70.4	79.2	899	27	1.2
04233-101105X40	M5	40	18	9	21.5	15	14.5	22	70.4	79.2	899	27	1.2
04233-101105X50	M5	50	18	9	21.5	15	14.5	22	70.4	79.2	899	27	1.2
04233-101106X20	M6	20	18	9	21.5	15	14.5	22	70.4	79.2	899	27	1.2
04233-101106X30	M6	30	18	9	21.5	15	14.5	22	70.4	79.2	899	27	1.2
04233-101106X40	M6	40	18	9	21.5	15	14.5	22	70.4	79.2	899	27	1.2
04233-101106X50	M6	50	18	9	21.5	15	14.5	22	70.4	79.2	899	27	1.2
04233-201108X25	M8	25	27	11	33.2	24	18	28.5	96	108	1,798	78	1.5
04233-201108X30	M8	30	27	11	33.2	24	18	28.5	96	108	1,798	78	1.5
04233-201108X40	M8	40	27	11	33.2	24	18	28.5	96	108	1,798	78	1.5
04233-201108X50	M8	50	27	11	33.2	24	18	28.5	96	108	1,798	78	1.5
04233-201110X25	M10	25	27	11	33.2	24	18	28.5	96	108	1,798	78	1.5
04233-201110X30	M10	30	27	11	33.2	24	18	28.5	96	108	1,798	78	1.5
04233-201110X40	M10	40	27	11	33.2	24	18	28.5	96	108	1,798	78	1.5
04233-201110X50	M10	50	27	11	33.2	24	18	28.5	96	108	1,798	78	1.5

ADJUSTABLE CAM LEVERS

Male Threads | Inch and Metric | Steel and Stainless Steel (continued)



METRIC - ALUMINUM HANDLE - STAINLESS COMPONENTS - MALE THREADS

Part #	D Thread	L mm	D1 mm	D2 mm	B mm	B1 mm	H mm	H1 mm	A mm	A1 mm	Clamping Force Lbs.	Hand Force Lbs.	Throw S mm
04233-111105X20	M5	20	18	9	21.5	15	14.5	22	70.4	79.2	899	27	1.2
04233-111105X30	M5	30	18	9	21.5	15	14.5	22	70.4	79.2	899	27	1.2
04233-111105X40	M5	40	18	9	21.5	15	14.5	22	70.4	79.2	899	27	1.2
04233-111105X50	M5	50	18	9	21.5	15	14.5	22	70.4	79.2	899	27	1.2
04233-111106X20	M6	20	18	9	21.5	15	14.5	22	70.4	79.2	899	27	1.2
04233-111106X30	M6	30	18	9	21.5	15	14.5	22	70.4	79.2	899	27	1.2
04233-111106X40	M6	40	18	9	21.5	15	14.5	22	70.4	79.2	899	27	1.2
04233-111106X50	M6	50	18	9	21.5	15	14.5	22	70.4	79.2	899	27	1.2
04233-211108X25	M8	25	27	11	33.2	24	18	28.5	96	108	1,798	78	1.5
04233-211108X30	M8	30	27	11	33.2	24	18	28.5	96	108	1,798	78	1.5
04233-211108X40	M8	40	27	11	33.2	24	18	28.5	96	108	1,798	78	1.5
04233-211108X50	M8	50	27	11	33.2	24	18	28.5	96	108	1,798	78	1.5
04233-211110X25	M10	25	27	11	33.2	24	18	28.5	96	108	1,798	78	1.5
04233-211110X30	M10	30	27	11	33.2	24	18	28.5	96	108	1,798	78	1.5
04233-211110X40	M10	40	27	11	33.2	24	18	28.5	96	108	1,798	78	1.5
04233-211110X50	M10	50	27	11	33.2	24	18	28.5	96	108	1,798	78	1.5

METRIC - STAINLESS HANDLE - STAINLESS COMPONENTS - MALE THREADS

Part #	D Thread	L mm	D1 mm	D2 mm	B mm	B1 mm	H mm	H1 mm	A mm	A1 mm	Clamping Force Lbs.	Hand Force Lbs.	Throw S mm
04233-112005X20	M5	20	18	9	21.5	15	14.5	22	70.4	79.2	899	27	1.2
04233-112005X30	M5	30	18	9	21.5	15	14.5	22	70.4	79.2	899	27	1.2
04233-112005X40	M5	40	18	9	21.5	15	14.5	22	70.4	79.2	899	27	1.2
04233-112005X50	M5	50	18	9	21.5	15	14.5	22	70.4	79.2	899	27	1.2
04233-112006X20	M6	20	18	9	21.5	15	14.5	22	70.4	79.2	899	27	1.2
04233-112006X30	M6	30	18	9	21.5	15	14.5	22	70.4	79.2	899	27	1.2
04233-112006X40	M6	40	18	9	21.5	15	14.5	22	70.4	79.2	899	27	1.2
04233-112006X50	M6	50	18	9	21.5	15	14.5	22	70.4	79.2	899	27	1.2
04233-212008X25	M8	25	27	11	33.2	24	18	28.5	96	108	1,798	78	1.5
04233-212008X30	M8	30	27	11	33.2	24	18	28.5	96	108	1,798	78	1.5
04233-212008X40	M8	40	27	11	33.2	24	18	28.5	96	108	1,798	78	1.5
04233-212008X50	M8	50	27	11	33.2	24	18	28.5	96	108	1,798	78	1.5
04233-212010X25	M10	25	27	11	33.2	24	18	28.5	96	108	1,798	78	1.5
04233-212010X30	M10	30	27	11	33.2	24	18	28.5	96	108	1,798	78	1.5
04233-212010X40	M10	40	27	11	33.2	24	18	28.5	96	108	1,798	78	1.5
04233-212010X50	M10	50	27	11	33.2	24	18	28.5	96	108	1,798	78	1.5