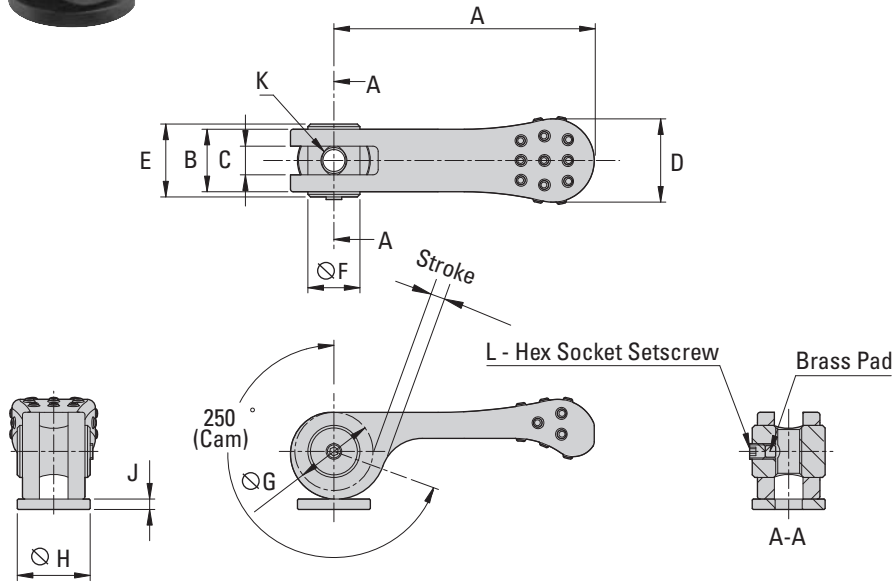


CAM LEVERS - LOW PROFILE

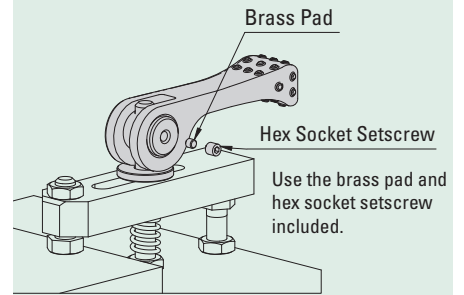


These cam handles allow for quick fastening and unfastening without the use of tools. They allow the user to tighten by threading like a traditional fastener however, for final tightening the cam lever is pushed downward. To unfasten, the cam lever is pulled up releasing clamping force and allowing the fastener to be unthreaded. They are ideal for quick change operations where parts only have to be loosened and not completely unassembled. The brass pad and hex socket set screw prevents the handle from backing off the thread. The lever is made from SAE-4140 alloy steel. The ring nut and washer is made from SAE-1045 alloy steel. Parts are heat treated with black oxide finish.

Part#	A mm	B mm	C mm	D mm	E mm	F mm	G mm	H mm	J mm	K mm	L mm	Stroke mm	Operating Load Lbs.*	Clamping Force Lbs.
QLCA-04	40	10	4.5	14	12	8	12	12	2	M4x0.7	M3x0.5 X 3	1.8	18	202
QLCA-05	50	12	5.5	16	14	10	15	14	2	M5x0.8	M3x0.5 X 3	2.3	22	292
QLCA-06	63	14	6.5	19	16	12	18	16	3	M6x1.0	M4x0.7 X 4	2.7	33	584
QLCA-08	80	18	9	24	20	15	22	20	3	M8x1.25	M4x0.7 X 4	3.3	45	899

* Allowable load to operate handle

How To Use



Application Example

