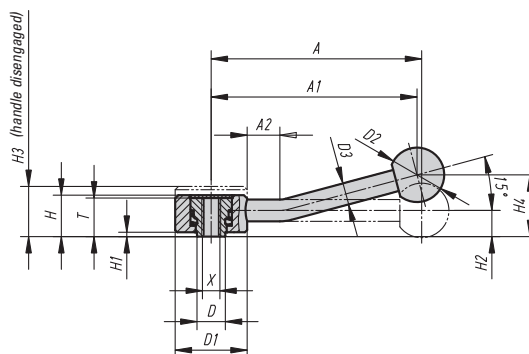


LOW PROFILE ADJUSTABLE TENSION LEVERS

Steel | Female Threads | Flat and Angled | Inch and Metric



Pulling up on the handle disengages it from the spline and allows it to rotate freely for adjustment. Releasing the handle engages it for tightening or adjusting. They are made from steel with black oxide finish. Knob is plastic. Low profile for use in tight spaces.

INCH

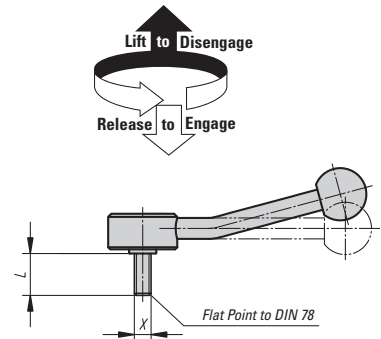
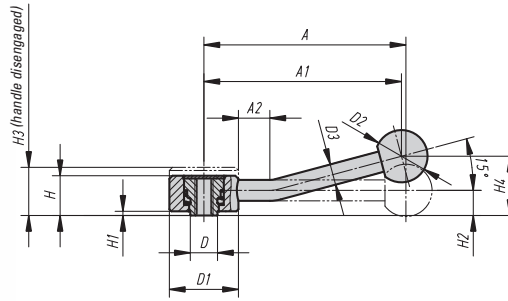
Part # Flat	Part # Angled	X Thread	T	D	D1	D2	D3	H	H1	H2	H3	H4	A	A1	A2	No. Of Teeth
06390-1A21	06390-1A22	1/4-20	.71	.53	1.30	.98	.39	.75	.08	.47	.91	1.14	3.94	4.02	.59	20
06390-1A31	06390-1A32	5/16-18	.71	.53	1.30	.98	.39	.75	.08	.47	.91	1.14	3.94	4.02	.59	20
06390-2A41	06390-2A42	3/8-16	.83	.75	1.61	1.18	.47	.87	.08	.53	1.02	1.50	5.00	5.28	.59	24
06390-2A51	06390-2A52	1/2-13	.83	.75	1.61	1.18	.47	.87	.08	.53	1.02	1.50	5.00	5.28	.59	24
06390-3A51	06390-3A52	1/2-13	1.06	.91	1.77	1.46	.55	1.10	.08	.67	1.30	1.89	5.71	5.83	.59	26
06390-3A61	06390-3A62	5/8-11	1.06	.91	1.77	1.46	.55	1.10	.08	.67	1.30	1.89	5.71	5.83	.59	26

METRIC

Part # Flat	Part # Angled	X Thread	T mm	D mm	D1 mm	D2 mm	D3 mm	H mm	H1 mm	H2 mm	H3 mm	H4 mm	A mm	A1 mm	A2 mm	No. Of Teeth
06390-1061	06390-1062	M6	18	13.5	33	25	10	19	2	12	23	29	100	102	15	20
06390-1081	06390-1082	M8	18	13.5	33	25	10	19	2	12	23	29	100	102	15	20
06390-2101	06390-2102	M10	21	19	41	30	12	22	2	13.5	26	38	127	134	15	24
06390-2121	06390-2122	M12	21	19	41	30	12	22	2	13.5	26	38	127	134	15	24
06390-3121	06390-3122	M12	27	23	45	37	14	28	2	17	33	48	145	148	15	26
06390-3161	06390-3162	M16	27	23	45	37	14	28	2	17	33	48	145	148	15	26

LOW PROFILE ADJUSTABLE TENSION LEVERS

Steel | Male Threads | Flat and Angled | Inch



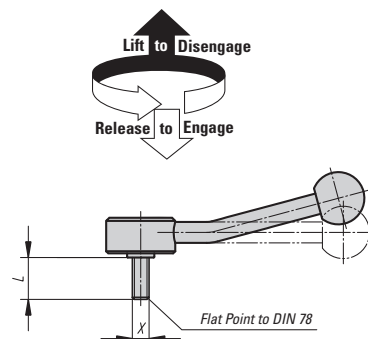
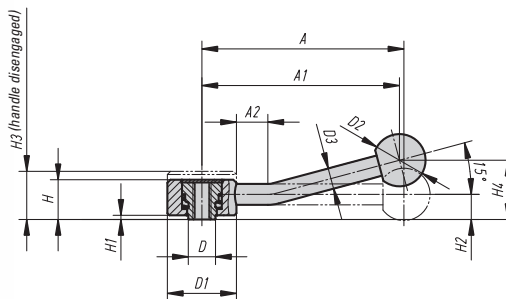
Pulling up on the handle disengages it from the spline and allows it to rotate freely for adjustment. Releasing the handle engages it for tightening or adjusting. They are made from steel with black oxide finish. Knob is plastic. Low profile for use in tight spaces.

INCH

Part # Flat	Part # Angled	X Thread	L	D	D1	D2	D3	H	H1	H2	H3	H4	A	A1	A2	No. Of Teeth
06400-1A31X20	06400-1A32X20	5/16-18	.79	.53	1.30	.98	.39	.75	.08	.47	.91	1.14	3.94	4.02	.59	20
06400-1A31X25	06400-1A32X25	5/16-18	.98	.53	1.30	.98	.39	.75	.08	.47	.91	1.14	3.94	4.02	.59	20
06400-1A31X30	06400-1A32X30	5/16-18	1.18	.53	1.30	.98	.39	.75	.08	.47	.91	1.14	3.94	4.02	.59	20
06400-1A31X40	06400-1A32X40	5/16-18	1.57	.53	1.30	.98	.39	.75	.08	.47	.91	1.14	3.94	4.02	.59	20
06400-1A31X50	06400-1A32X50	5/16-18	1.97	.53	1.30	.98	.39	.75	.08	.47	.91	1.14	3.94	4.02	.59	20
06400-1A31X60	06400-1A32X60	5/16-18	2.36	.53	1.30	.98	.39	.75	.08	.47	.91	1.14	3.94	4.02	.59	20
06400-1A41X20	06400-1A42X20	3/8-16	.79	.53	1.30	.98	.39	.75	.08	.47	.91	1.14	3.94	4.02	.59	20
06400-1A41X25	06400-1A42X25	3/8-16	.98	.53	1.30	.98	.39	.75	.08	.47	.91	1.14	3.94	4.02	.59	20
06400-1A41X30	06400-1A42X30	3/8-16	1.18	.53	1.30	.98	.39	.75	.08	.47	.91	1.14	3.94	4.02	.59	20
06400-1A41X40	06400-1A42X40	3/8-16	1.57	.53	1.30	.98	.39	.75	.08	.47	.91	1.14	3.94	4.02	.59	20
06400-1A41X50	06400-1A42X50	3/8-16	1.97	.53	1.30	.98	.39	.75	.08	.47	.91	1.14	3.94	4.02	.59	20
06400-1A41X60	06400-1A42X60	3/8-16	2.36	.53	1.30	.98	.39	.75	.08	.47	.91	1.14	3.94	4.02	.59	20
06400-2A41X20	06400-2A42X20	3/8-16	.79	.75	1.61	1.18	.47	.87	.08	.53	1.02	1.50	5.00	5.16	.59	24
06400-2A41X25	06400-2A42X25	3/8-16	.98	.75	1.61	1.18	.47	.87	.08	.53	1.02	1.50	5.00	5.16	.59	24
06400-2A41X30	06400-2A42X30	3/8-16	1.18	.75	1.61	1.18	.47	.87	.08	.53	1.02	1.50	5.00	5.16	.59	24
06400-2A41X40	06400-2A42X40	3/8-16	1.57	.75	1.61	1.18	.47	.87	.08	.53	1.02	1.50	5.00	5.16	.59	24
06400-2A41X50	06400-2A42X50	3/8-16	1.97	.75	1.61	1.18	.47	.87	.08	.53	1.02	1.50	5.00	5.16	.59	24
06400-2A41X60	06400-2A42X60	3/8-16	2.36	.75	1.61	1.18	.47	.87	.08	.53	1.02	1.50	5.00	5.16	.59	24
06400-2A51X20	06400-2A52X20	1/2-13	.79	.75	1.61	1.18	.47	.87	.08	.53	1.02	1.50	5.00	5.16	.59	24
06400-2A51X25	06400-2A52X25	1/2-13	.98	.75	1.61	1.18	.47	.87	.08	.53	1.02	1.50	5.00	5.16	.59	24
06400-2A51X30	06400-2A52X30	1/2-13	1.18	.75	1.61	1.18	.47	.87	.08	.53	1.02	1.50	5.00	5.16	.59	24
06400-2A51X40	06400-2A52X40	1/2-13	1.57	.75	1.61	1.18	.47	.87	.08	.53	1.02	1.50	5.00	5.16	.59	24
06400-2A51X50	06400-2A52X50	1/2-13	1.97	.75	1.61	1.18	.47	.87	.08	.53	1.02	1.50	5.00	5.16	.59	24
06400-2A51X60	06400-2A52X60	1/2-13	2.36	.75	1.61	1.18	.47	.87	.08	.53	1.02	1.50	5.00	5.16	.59	24
06400-3A51X20	06400-3A52X20	1/2-13	.79	.91	1.77	1.46	.55	1.10	.08	.67	1.30	1.89	5.71	5.83	.59	26
06400-3A51X25	06400-3A52X25	1/2-13	.98	.91	1.77	1.46	.55	1.10	.08	.67	1.30	1.89	5.71	5.83	.59	26
06400-3A51X30	06400-3A52X30	1/2-13	1.18	.91	1.77	1.46	.55	1.10	.08	.67	1.30	1.89	5.71	5.83	.59	26
06400-3A51X40	06400-3A52X40	1/2-13	1.57	.91	1.77	1.46	.55	1.10	.08	.67	1.30	1.89	5.71	5.83	.59	26
06400-3A51X50	06400-3A52X50	1/2-13	1.97	.91	1.77	1.46	.55	1.10	.08	.67	1.30	1.89	5.71	5.83	.59	26
06400-3A51X60	06400-3A52X60	1/2-13	2.36	.91	1.77	1.46	.55	1.10	.08	.67	1.30	1.89	5.71	5.83	.59	26
06400-3A61X20	06400-3A62X20	5/8-11	.79	.91	1.77	1.46	.55	1.10	.08	.67	1.30	1.89	5.71	5.83	.59	26
06400-3A61X25	06400-3A62X25	5/8-11	.98	.91	1.77	1.46	.55	1.10	.08	.67	1.30	1.89	5.71	5.83	.59	26
06400-3A61X30	06400-3A62X30	5/8-11	1.18	.91	1.77	1.46	.55	1.10	.08	.67	1.30	1.89	5.71	5.83	.59	26
06400-3A61X40	06400-3A62X40	5/8-11	1.57	.91	1.77	1.46	.55	1.10	.08	.67	1.30	1.89	5.71	5.83	.59	26
06400-3A61X50	06400-3A62X50	5/8-11	1.97	.91	1.77	1.46	.55	1.10	.08	.67	1.30	1.89	5.71	5.83	.59	26
06400-3A61X60	06400-3A62X60	5/8-11	2.36	.91	1.77	1.46	.55	1.10	.08	.67	1.30	1.89	5.71	5.83	.59	26

LOW PROFILE ADJUSTABLE TENSION LEVERS

Steel | Male Threads | Flat and Angled | Metric



Pulling up on the handle disengages it from the spline and allows it to rotate freely for adjustment. Releasing the handle engages it for tightening or adjusting. They are made from steel with black oxide finish. Knob is plastic. Low profile for use in tight spaces.

METRIC

Part # Flat	Part # Angled	X Thread	L mm	D mm	D1 mm	D2 mm	D3 mm	H mm	H1 mm	H2 mm	H3 mm	H4 mm	A mm	A1 mm	A2 mm	No. Of Teeth
06400-1081X15	06400-1082X15	M8	15	13.5	33	25	10	19	2	12	23	29	100	102	15	20
06400-1081X20	06400-1082X20	M8	20	13.5	33	25	10	19	2	12	23	29	100	102	15	20
06400-1081X25	06400-1082X25	M8	25	13.5	33	25	10	19	2	12	23	29	100	102	15	20
06400-1081X30	06400-1082X30	M8	30	13.5	33	25	10	19	2	12	23	29	100	102	15	20
06400-1081X40	06400-1082X40	M8	40	13.5	33	25	10	19	2	12	23	29	100	102	15	20
06400-1081X50	06400-1082X50	M8	50	13.5	33	25	10	19	2	12	23	29	100	102	15	20
06400-1081X60	06400-1082X60	M8	60	13.5	33	25	10	19	2	12	23	29	100	102	15	20
06400-1101X15	06400-1102X15	M10	15	13.5	33	25	10	19	2	12	23	29	100	102	15	20
06400-1101X20	06400-1102X20	M10	20	13.5	33	25	10	19	2	12	23	29	100	102	15	20
06400-1101X25	06400-1102X25	M10	25	13.5	33	25	10	19	2	12	23	29	100	102	15	20
06400-1101X30	06400-1102X30	M10	30	13.5	33	25	10	19	2	12	23	29	100	102	15	20
06400-1101X40	06400-1102X40	M10	40	13.5	33	25	10	19	2	12	23	29	100	102	15	20
06400-1101X50	06400-1102X50	M10	50	13.5	33	25	10	19	2	12	23	29	100	102	15	20
06400-1101X60	06400-1102X60	M10	60	13.5	33	25	10	19	2	12	23	29	100	102	15	20
06400-2101X20	06400-2102X20	M10	20	19	41	30	12	22	2	13.5	26	38	127	131	15	24
06400-2101X25	06400-2102X25	M10	25	19	41	30	12	22	2	13.5	26	38	127	131	15	24
06400-2101X30	06400-2102X30	M10	30	19	41	30	12	22	2	13.5	26	38	127	131	15	24
06400-2101X40	06400-2102X40	M10	40	19	41	30	12	22	2	13.5	26	38	127	131	15	24
06400-2101X50	06400-2102X50	M10	50	19	41	30	12	22	2	13.5	26	38	127	131	15	24
06400-2101X60	06400-2102X60	M10	60	19	41	30	12	22	2	13.5	26	38	127	131	15	24
06400-2121X20	06400-2122X20	M12	20	19	41	30	12	22	2	13.5	26	38	127	131	15	24
06400-2121X25	06400-2122X25	M12	25	19	41	30	12	22	2	13.5	26	38	127	131	15	24
06400-2121X30	06400-2122X30	M12	30	19	41	30	12	22	2	13.5	26	38	127	131	15	24
06400-2121X40	06400-2122X40	M12	40	19	41	30	12	22	2	13.5	26	38	127	131	15	24
06400-2121X50	06400-2122X50	M12	50	19	41	30	12	22	2	13.5	26	38	127	131	15	24
06400-2121X60	06400-2122X60	M12	60	19	41	30	12	22	2	13.5	26	38	127	131	15	24
06400-3121X20	06400-3122X20	M12	20	23	45	37	14	28	2	17	33	48	145	148	15	26
06400-3121X25	06400-3122X25	M12	25	23	45	37	14	28	2	17	33	48	145	148	15	26
06400-3121X30	06400-3122X30	M12	30	23	45	37	14	28	2	17	33	48	145	148	15	26
06400-3121X40	06400-3122X40	M12	40	23	45	37	14	28	2	17	33	48	145	148	15	26
06400-3121X50	06400-3122X50	M12	50	23	45	37	14	28	2	17	33	48	145	148	15	26
06400-3121X60	06400-3122X60	M12	60	23	45	37	14	28	2	17	33	48	145	148	15	26
06400-3161X20	06400-3162X20	M16	20	23	45	37	14	28	2	17	33	48	145	148	15	26
06400-3161X25	06400-3162X25	M16	25	23	45	37	14	28	2	17	33	48	145	148	15	26
06400-3161X30	06400-3162X30	M16	30	23	45	37	14	28	2	17	33	48	145	148	15	26
06400-3161X40	06400-3162X40	M16	40	23	45	37	14	28	2	17	33	48	145	148	15	26
06400-3161X50	06400-3162X50	M16	50	23	45	37	14	28	2	17	33	48	145	148	15	26
06400-3161X60	06400-3162X60	M16	60	23	45	37	14	28	2	17	33	48	145	148	15	26